

# Tungsten Drill Bits



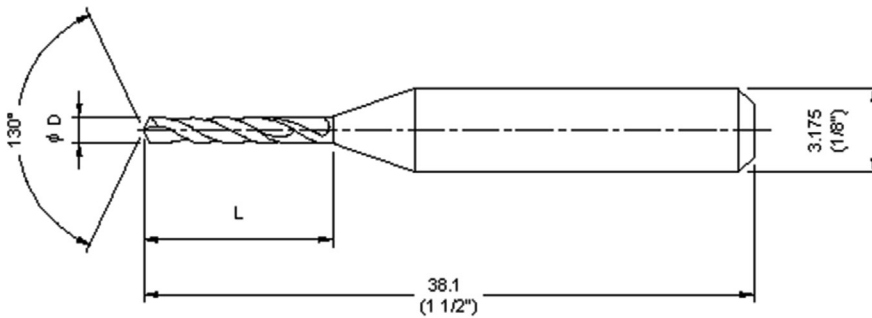
## Features:

- For use in Single-Sided PCB drilling applications
- Designed for drilling small through-holes with good chip discharge
- Enlarged stainless steel shank for better centring and torque transfer
- Drill bit manufactured from solid tungsten carbide
- Overall length 38.1mm (1 1/2")

## Specifications:

Drill Bit Size Metric : 0.5mm  
 Effective Length : 7mm  
 Overall Length : 38.1mm  
 Drill Bit Type : Twist / Jobber  
 Drill Point Diameter : 0.5mm  
 Length (Imperial) : 1.5"  
 Material : Tungsten Carbide (tip)  
 Shank Dia : 3.175mm  
 Shank Size : 1/8"

3.175mm, 1/8" Shank



Dimensions : Millimetres (Inches)

## Part Number Table

Description	Drill Size (ØD)	Flute Length (L)	Part Number
Drill Bit, Tungsten, 0.5mm	0.50	7.0	UC-0.50

**Important Notice :** This data sheet and its contents (the "Information") belong to the members of the Premier Farnell group of companies (the "Group") or are licensed to it. No licence is granted for the use of it other than for information purposes in connection with the products to which it relates. No licence of any intellectual property rights is granted. The Information is subject to change without notice and replaces all data sheets previously supplied. The Information supplied is believed to be accurate but the Group assumes no responsibility for its accuracy or completeness, any error in or omission from it or for any use made of it. Users of this data sheet should check for themselves the Information and the suitability of the products for their purpose and not make any assumptions based on information included or omitted. Liability for loss or damage resulting from any reliance on the Information or use of it (including liability resulting from negligence or where the Group was aware of the possibility of such loss or damage arising) is excluded. This will not operate to limit or restrict the Group's liability for death or personal injury resulting from its negligence. Multicomp is the registered trademark of the Group. © Premier Farnell plc 2012.

www.element14.com  
 www.farnell.com  
 www.newark.com

