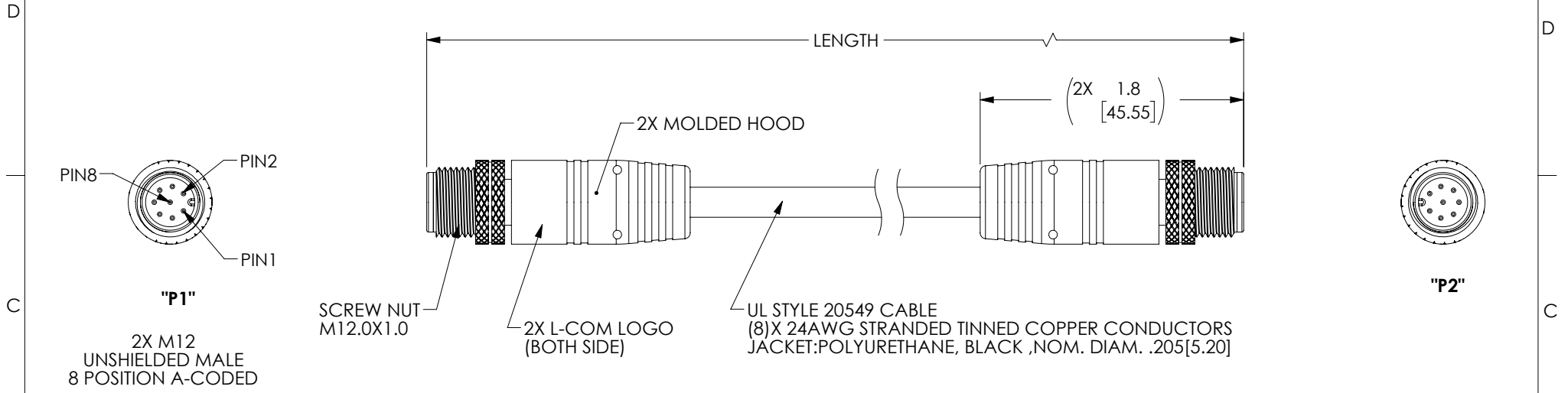


THE INFORMATION CONTAINED IN THIS DRAWING IS THE SOLE PROPERTY OF L-COM, INC. ANY REPRODUCTION IN PART OR WHOLE WITHOUT THE WRITTEN PERMISSION OF L-COM, INC. IS PROHIBITED.

REVISIONS			
REV	DESCRIPTION	DATE	APPROVED
A	REV A DRAWING RELEASED	04/18/2019	DGUTTADAUR



**NOTES**

**MATERIAL:**  
 MOLDED HOOD: THERMOPLASTIC POLYURETHANE, BLACK  
 INSULATOR: TPU, BLACK  
 SCREW NUT: BRASS, NICKEL PLATE  
 CONTACTS: PHOSPHOR BRONZE, 15µ" MIN. GOLD PLATE

**ELECTRICAL:**  
 NOMINAL VOLTAGE RATING: 30 V AC/DC  
 MAX CURRENT: 2A

**APPLICATION:**  
 INGRESS PROTECTION RATING IS IP67 (MATED).

**ENVIRONMENTAL:**  
 OPERATING TEMPERATURE RANGE: -25°C TO +80°C  
 CABLE JACKET RESISTANCE: OIL, SUNLIGHT, AND CHEMICAL RESISTANT  
 CABLE JACKET FLAME RATING: VW-1

**MISCELLANEOUS**  
 CABLE ASSEMBLIES TO BE TESTED FOR CONTINUITY  
 CABLE ASSEMBLY SHALL BE INDIVIDUALLY PACKAGED IN ACCORDANCE WITH L-COM SPECIFICATION PS-0031.

**WIRING MAP**

"P1"	"P2"
1	1 WHITE
2	2 BROWN
3	3 GREEN
4	4 YELLOW
5	5 GRAY
6	6 PINK
7	7 BLUE
8	8 RED

PART NUMBER	LENGTH	
	FEET	METERS
TRG881-P4B-05M	1.64	0.5
TRG881-P4B-1M	3.28	1.0
TRG881-P4B-2M	6.56	2.0
TRG881-P4B-3M	9.84	3.0
TRG881-P4B-5M	16.41	5.0
TRG881-P4B-10M	32.82	10.0

UNLESS OTHERWISE SPECIFIED, DIMENSIONS ARE IN INCHES [mm] OVERALL CABLE LENGTH TOLERANCE: ≤12 [305] = +1 [25] / -0 >12 [305] ≤60 [1524] = +2 [51] / -0 >60 [1524] ≤120 [3048] = +4 [102] / -0 >120 [3048] ≤300 [7620] = +6 [152] / -0 >300 [7620] = +5% / -0% ALL OTHER DIMENSIONAL TOLERANCES: .X = ±.2 [5.08] .XX = ±.02 [51] .XXX = ±.005 [13]	APPROVALS DRAWN BY DCUI CHECKED BY SPAN APPROVED BY DGUTTADAUR	DATE 12/04/2018 12/04/2018 12/04/2018	50 HIGH STREET NORTH ANDOVER, MA 01845	
	PROJECTION 	CONFIGURATION DETAILS OF UNDIMENSIONED FEATURES MAY VARY		CATEGORY <b>TELECOM/MODULAR</b>
	REF	COLOR VARIATIONS MAY OCCUR	SIZE <b>A</b>	PRODUCT DESCRIPTION <b>M12 8P A-CODE MALE/MALE UNSHIELDED 24AWG PUR JACKET BLK</b>
	SCALE: NONE	CAD FILE: TRG881-P4B.SLDDRW	FSCM NO. <b>43321</b> DWG. NO. <b>TRG881-P4B</b>	SHEET 1 OF 1