

DC Push Tubular Solenoid



Model TP8x16

Features:

- High performance construction
- Available return spring kit
- DC applications only
- See T8x16 for pull applications
- UL recognized



Electrical:

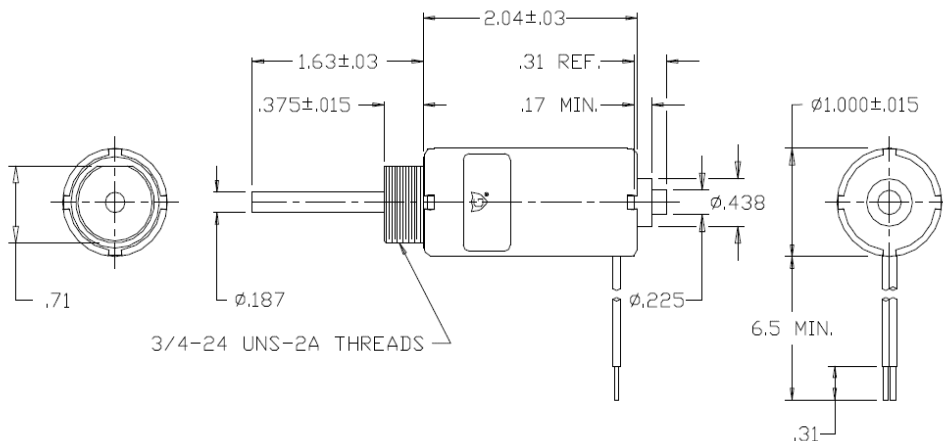
- Coil Voltages: 6, 12, 24, 48, 110VDC standard
- Coil Termination: 6.5" Wire leads
- 22 AWG (standard)
- Duty Cycle: 100% Continuous, 25% Intermittent, 10% Intermittent, 1% Pulse
- Coil treatment: Tape Wrapped
- Insulation Class: Class A Rating - 105° C (221° F)
- Dielectric Strength: 1500V 60 Hz



Mechanical:

- Size: 2" (L) x 1" (D)
- Plunger Diameter: 0.187"
- Plunger Guide Material: Plastic
- Mounting: Hex Nut
- Weight: Plunger 1.57 oz, Total 5.8 oz
- Life Expectancy: 1 Million Cycles¹

¹ - Dependent on load conditions



Solenoid shown energized with plunger fully seated in extended position
Supplied with mounting bracket, hex nut and lock washer shipped loose

Standard Part Numbers

Model	Part Number	Duty Cycle	Voltage	Resistance ² (Ω)	Power (W)	Current
TP8x16-C-12	A420-066662-00	Cont.	12VDC	28.3	5.3	424 mA
TP8x16-I-12	A420-066663-00	Inter.	12VDC	9.3	16.3	1.29 A
TP8x16-C-24	A420-066664-00	Cont.	24VDC	110	5.5	218 mA
TP8x16-I-24	A420-066665-00	Inter.	24VDC	36.1	16.8	665 mA

² - Coil resistance tolerance +/- 5%

Contact us for custom voltages or duty cycles

Available Customization:

- Plunger
- Lead and Connector
- DC Voltage
- Duty Cycle
- Insulation systems up to class H 180° C (356° F)

*** Minimum quantities apply**

Stroke (in.)	Typical Push Force Ounces [N] @ 20°C (68°F) (Distance from fully extended position)									HOLDING FORCE Ounces [N]	Power (W)
	0.050	0.125	0.250	0.375	0.500	0.625	0.750	1.000			
Continuous 100%	24 [6.7]	14 [3.9]	9 [2.5]	4 [1.1]	3 [0.8]	2 [0.6]	1 [0.3]	N/A	83 [23]	5.5	
Intermittent 25%	48 [13.3]	32 [8.9]	20 [5.6]	14 [3.9]	12 [3.3]	8 [2.2]	6 [1.7]	N/A	100 [27.8]	16.5	
Intermittent 10% ³	93 [25.9]	68.5 [19]	50 [13.9]	41.5 [11.5]	31.5 [8.8]	28.5 [7.9]	25 [7]	17 [4.7]	261 [72.6]	48	
Pulse 1% ³	118 [32.8]	95 [26.4]	75 [20.9]	63 [17.5]	55 [15.3]	50 [13.9]	43 [12]	32 [8.9]	N/A	98.2	

Optional Return Spring Kit

A490-367460-11

Continuous Duty 100% = 100% On Time
 Intermittent Duty 25% = 25% On Time (100 Seconds On Max Followed By 300 Seconds Off)
 Intermittent Duty 10% = 90% On Time (10 Seconds On Max Followed By 90 Seconds Off)
 Pulse Duty 1% = 99% On Time (1 Second On Max Followed By 99 Seconds Off)
³ - Calculated force values to be verified in application



GUARDIAN-ELECTRIC.COM

1425 Lake Ave - Woodstock IL 60098 - Phone: 800-762-0369
 The information is subject to change without notice. © Guardian Electric

