

# Type TMS-R-E Time Lag Micro Fuse Radial Leaded – Short Leaded Designed to Meet IEC Specifications



www.optifuse.com (619) 593-5050

### Agency Standards and Listings:



VDE	100mA~6.3A
UL Recognized	100mA~6.3A
PSE	100mA~6.3A
SEMKO	100mA~6.3A
BSI	100mA~6.3A
CQC	100mA~6.3A
KC	1A~6.3A

### Interrupt Ratings:

35A or 10 x rated current; whichever is greater @ 250 VAC

PSE: 100A @ 250 VAC

**Operating Temperature:** -55°C ~ +125°C

### Physical Specifications (Materials):

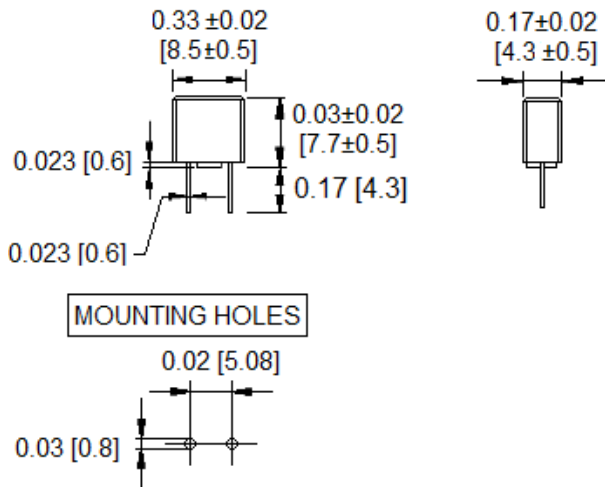
Thermoplastic Body, UL 94-V0  
Tin-Lead Plated Alloy Pins

### Electrical Characteristics:

200%		275%		400%		1000%	
MAX	MIN	MAX	MIN	MAX	MIN	MAX	MIN
2 m	400 ms	10 s	150 ms	3 s	20 ms	150 ms	

Part Number	Ampere Rating	Voltage Rating	I <sup>2</sup> T
TMS-R-E-100mA	100mA	250V	0.02623
TMS-R-E-125mA	125mA		0.04499
TMS-R-E-160mA	160mA		0.08755
TMS-R-E-200mA	200mA		0.1181
TMS-R-E-250mA	250mA		0.2030
TMS-R-E-315mA	315mA		0.3597
TMS-R-E-400mA	400mA		0.6893
TMS-R-E-500mA	500mA		1.232
TMS-R-E-630mA	630mA		2.185
TMS-R-E-800mA	800mA		2.987
TMS-R-E-1A	1A		6.319
TMS-R-E-1.25A	1.25A		12.23
TMS-R-E-1.6A	1.6A		22.03
TMS-R-E-2A	2A		43.08
TMS-R-E-2.5A	2.5A		50.05
TMS-R-E-3.15A	3.15A		73.53
TMS-R-E-4A	4A	88.16	
TMS-R-E-5A	5A	152.0	
TMS-R-E-6.3A	6.3A	255.7	

### Mechanical Dimensions: Inches [mm]



### Warning:



-Operation beyond the specified maximum ratings or improper use may result in damage and possible electrical arcing and/or flame.  
-Micro Fuse device are intended for occasional overcurrent protection. Application for repeated overcurrent condition and/or prolonged trip are not anticipated.  
-Avoid contact of Micro Fuse device with chemical solvent. Prolonged contact will damage the device performance.