

Type TMS

Time Lag Micro Fuse

Radial Leaded – Short Leaded

Designed to Meet UL/CSA Specifications



www.optifuse.com (619) 593-5050

Agency Standards and Listings:



Voltage: 250V

Material

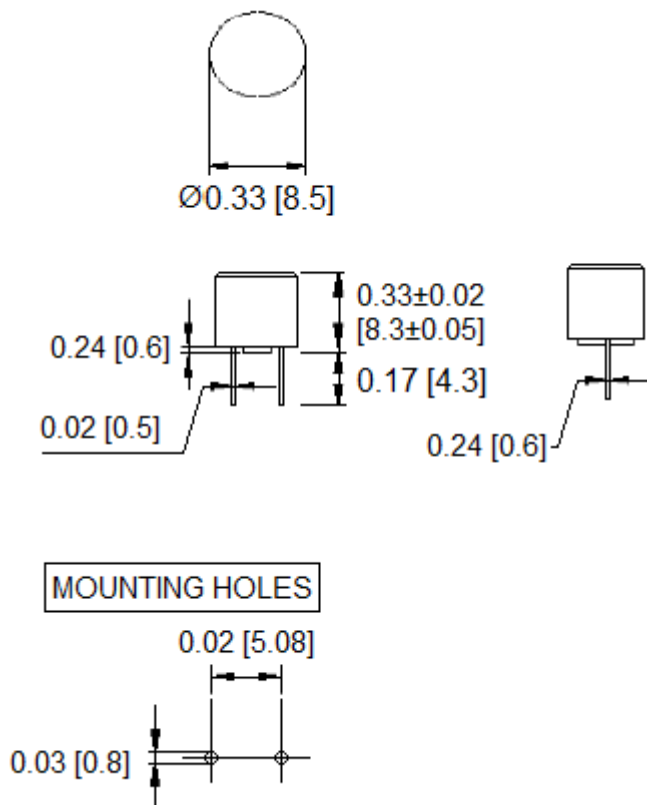
Body: Thermoplastic UL94V0
Pin: Copper Alloy, Tin plated
Element: Silver Alloy

Interrupt Ratings: 50A @ 250 VAC

Electrical Characteristics:

Rated Current	1.0 In	2.0 In
50mA~10A	Carry	60 sec Max

Mechanical Dimensions: Inches [mm]



Cartridge Catalog Number	Ampere Rating	Voltage Rating	I ² T
TMS-50mA	50mA	250VAC	0.0056
TMS-60mA	60mA		0.0075
TMS-63mA	63mA		0.009
TMS-80mA	80mA		0.014
TMS-100mA	100mA		0.025
TMS-125mA	125mA		0.044
TMS-160mA	160mA		0.058
TMS-200mA	200mA		0.1
TMS-250mA	250mA		0.17
TMS-300mA	300mA		0.22
TMS-315mA	315mA		0.26
TMS-400mA	400mA		0.32
TMS-500mA	500mA		0.58
TMS-600mA	600mA		0.67
TMS-630mA	630mA		0.75
TMS-700mA	700mA		0.85
TMS-800mA	800mA		0.98
TMS-1A	1A		2.8
TMS-1.25A	1.25A		3.8
TMS-1.5A	1.5A		4.8
TMS-1.6A	1.6A	5.2	
TMS-2A	2A	7.5	
TMS-2.5A	2.5A	14	
TMS-3A	3A	19	
TMS-3.15A	3.15A	22	
TMS-3.5A	3.5A	24	
TMS-4A	4A	27	
TMS-5A	5A	59	
TMS-6.3A	6.3A	100	
TMS-7A	7A	122	
TMS-8A	8A	160	
TMS-10A	10A	220	

Warning:



-Operation beyond the specified maximum ratings or improper use may result in damage and possible electrical arcing and/or flame.
 -Micro Fuse device are intended for occasional overcurrent protection. Application for repeated overcurrent condition and/or prolonged trip are not anticipated.
 -Avoid contact of Micro Fuse device with chemical solvent. Prolonged contact will damage the device performance.