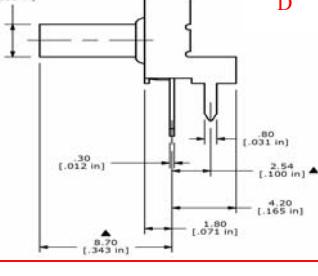
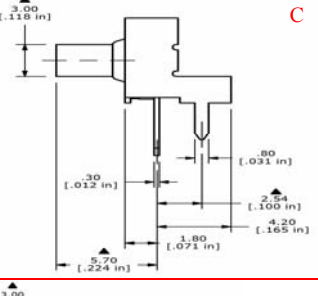
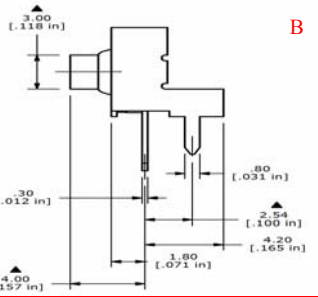
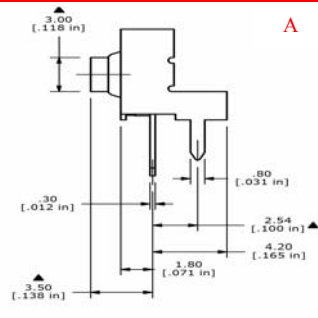
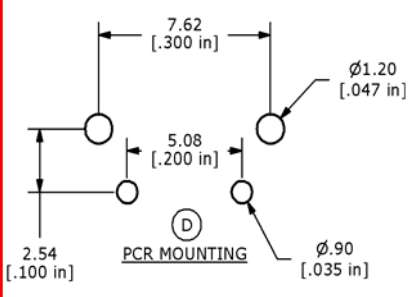
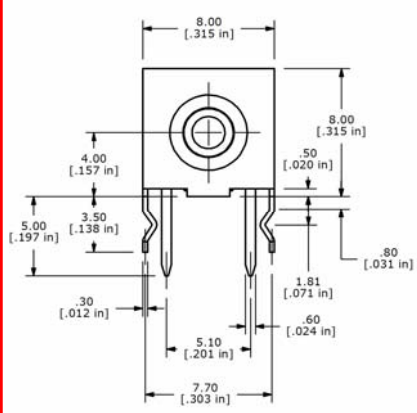


# TL6110 SEALED RIGHT ANGLE TACTILE SWITCH



## MECHANICAL SPECIFICATIONS

Mechanical Life/		
Electrical Life (min):	Standard Dome	SS-Dome
130 gram force:	100,000	400,000
160 gram force:	80,000	300,000
300 gram force:	50,000	150,000
500 gram force:	30,000	N/A
Termination:	Right Angle Thru-Hole	
Travel:	0.5 ±0.1mm	
Sealing:	Sealed per "Bubble Detection System" (85°C for 30 sec.)	

## ELECTRICAL SPECIFICATIONS

Switching Voltage:	50VDC
Switching Power:	1.0VA Silver/.02VA Gold
Contact Resistance (Initial Max.):	50 mΩ @ 5VDC, 10mA
Insulation Resistance (min. @100V):	10000mΩ
Dielectric Strength (50Hz., 1 Min.):	300VAC
Bounce:	<5m Sec.

## ENVIRONMENTAL SPECIFICATIONS

Operating Temp:	-40°C to +85°C Silver
	-40°C to +125°C Gold
Storage Temp:	-55°C to +85°C



## How To Order

SERIES	MODEL	ACTUATOR LENGTH	OPERATING FORCE	CONTACT MATERIAL	TERMINATION
TL	6110	A=3.50MM B=4.00MM C=5.70MM D=8.70MM	F130 F160 F300 F500	Q=Silver R=Gold	P=PC Pin

(GRAM FORCE)

Stainless steel dome available— Add SS to the end of the part number. Minimums may apply.