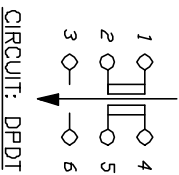


RECOMMENDED P.C.B. LAYOUT

SWITCH FUNCTION	
PDS 1	PDS 2
1-2, 4-5	2-3, 5-6

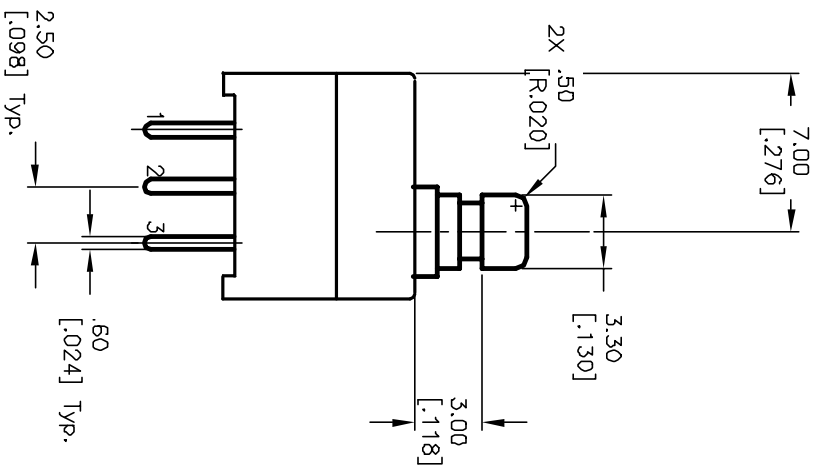
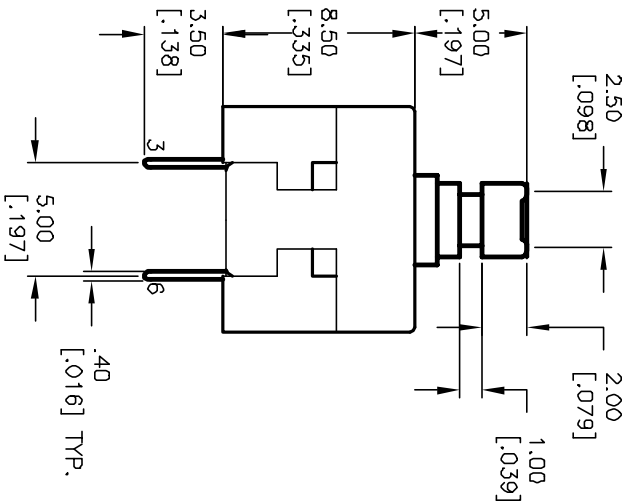
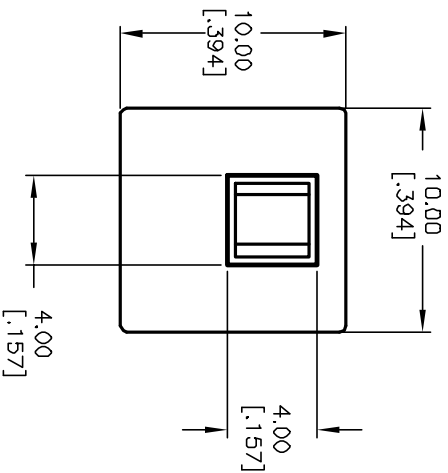
① ②



CIRCUIT: DPDT

NOTES:

1. ALL DIMENSIONS IN MM [INCH]
2. GENERAL TOLERANCE: X.X=±0.4  
X.XX=±0.25
3. TERM. NOS. FOR REF. ONLY
4. RATING: 0.1A @30V
5. CONTACT MATERIAL: SILVER
6. TIMING: Non-Shorting
7. TRAVEL: Full: 2.5mm, Lock: 1.5mm
8. OPERATING FORCE: 200±50gf.
9. ELECTRICAL LIFE: 10,000 CYCLES MAKE & BREAK CYCLES AT FULL LOAD.
10. DESIGNATE MAJOR.



REV.	ECN No.	DESCRIPTION	DATE	CHK'D
C	12575	REVISED	11/18/02	CB
		DESCRIPTION		

TITLE	SCALE	DATE	DR	DWG	REV
TL 2286A EE F200 Q (LATCHING)	3:1	11/8/01	CB	P010511	C

**E-SWITCH®**

THE INFORMATION CONTAINED IN THIS DOCUMENT IS PROPRIETARY TO E-SWITCH AND IS NOT TO BE COPIED OR TRANSMITTED