

Type TFLN Automotive Fuse Link Locking Female Terminal



www.optifuse.com

(619) 593-5050

Specifications:

Voltage: 32 VDC

Amperage: 25A, 30A

Interrupting Rating: 5,000A @ 32 VAC

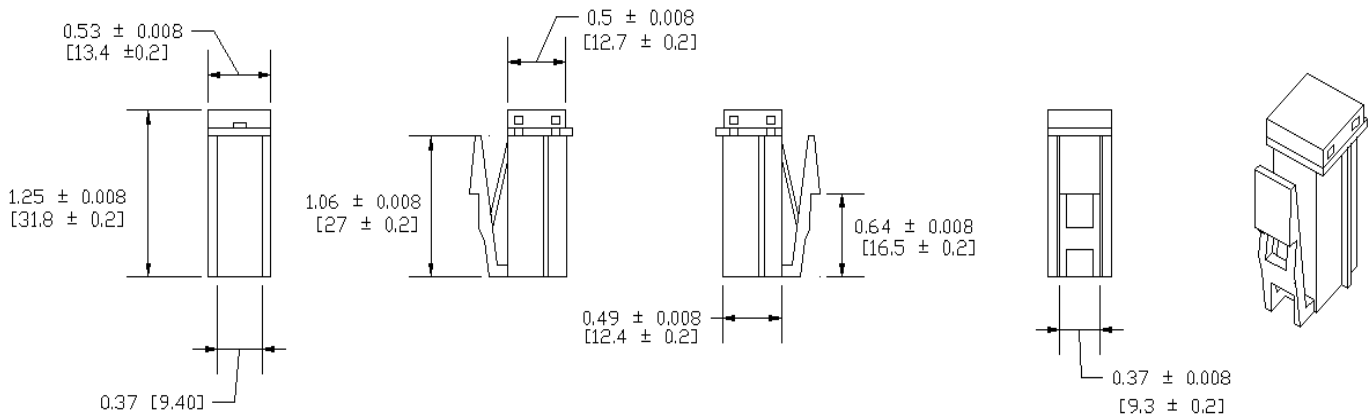
Agency Standards and Listings:

JASO D612-4:2001

Time Characteristics		
% of rated current	Min hold time	Max hold time
110%	4h	
150%	20s	
200%	3s	20s
300%		5s
400%		3s

Part Number	Ampere Rating	Housing Color
TFLN-25A	25A	Brown
TFLN-30A	30A	Green

Mechanical Dimensions: Inches [mm]



Warning:



-Operation beyond the specified maximum ratings or improper use may result in damage and possible electrical arcing and/or flame.

-Avoid contact of device with chemical solvent. Prolonged contact will damage the device performance.