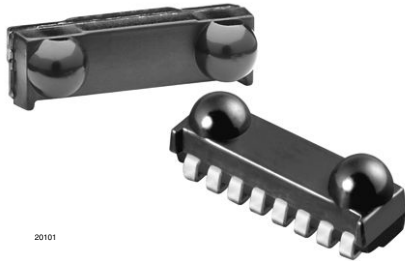


## Infrared Transceiver Module (SIR, 115.2 kbit/s) for IrDA® Applications



20101



### LINKS TO ADDITIONAL RESOURCES



### DESCRIPTION

The TFDU4301 is a low profile (2.5 mm) infrared transceiver module. It is compliant to the latest IrDA® physical layer standard for fast infrared data communication, supporting IrDA speeds up to 115.2 kbit/s (SIR) and carrier based remote control. The transceiver module consists of a PIN photodiode, an infrared emitter (IRED), and a low-power control IC to provide a total front-end solution in a single package.

This device covers an extended IrDA low power range of close to 1 m. With an external current control resistor the current can be adjusted for shorter ranges.

The RXD output pulse width is independent of the optical input pulse width and stays always at a fixed pulse width thus making the device optimum for standard encoders. TFDU4301 has a tri-state output and is floating in shut-down mode with a weak pull-up.

### APPLICATIONS

- Ideal for battery operated applications
- Telecommunication products (cellular phones, pagers)
- Digital still and video cameras
- Printers, fax machines, photocopiers, screen projectors
- Medical and industrial data collection
- Diagnostic systems
- Notebook computers, desktop PCs, palmtop computers (Win CE, Palm PC), PDAs
- Internet TV boxes, video conferencing systems
- External infrared adapters (dongles)
- Data loggers
- GPS
- Kiosks, POS, point and pay devices including IrFM - applications

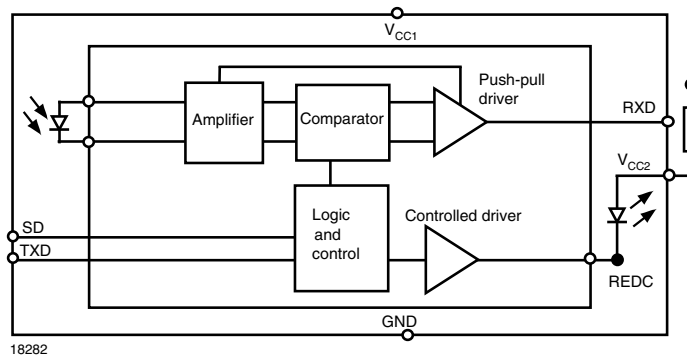
### FEATURES

- Compliant to the latest IrDA physical layer specification (9.6 kbit/s to 115.2 kbit/s) and TV remote control, bi-directional operation included
- Operates from 2.4 V to 5.5 V within specification over full temperature range from -30 °C to +85 °C
- Split power supply, transmitter and receiver can be operated from two power supplies with relaxed requirements saving costs, US patent no. 6.157.476
- Extended IrDA low power range to about 70 cm
- Typical remote control range 12 m
- Low power consumption (< typ. supply current 70 µA)
- Power shutdown mode (< 1 µA shutdown current in full temperature range, up to 85 °C)
- Low profile (2.5 mm) (L x W x H in mm): 8.5 × 2.5 × 3.1
- Surface-mount package
- High efficiency emitter
- Low profile (universal) package capable of surface-mount soldering to side and top view orientation
- Directly interfaces with various super I/O and encoder / decoder devices
- Tri-state-receiver output, floating in shut down with a weak pull-up
- Compliant with IrDA background light specification
- EMI immunity in GSM bands > 300 V/m verified
- Qualified for lead (Pb)-free and Sn/Pb processing (MSL4)
- Material categorization: for definitions of compliance please see [www.vishay.com/doc?99912](http://www.vishay.com/doc?99912)



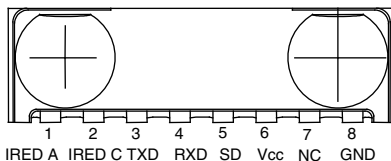
PRODUCT SUMMARY					
PART NUMBER	DATA RATE (kbit/s)	DIMENSIONS H x L x W (mm x mm x mm)	LINK DISTANCE (m)	OPERATING VOLTAGE (V)	IDLE SUPPLY CURRENT (mA)
TFDU4301	115.2	3.1 x 8.5 x 2.5	0 to ≥ 0.7	2.4 to 5.5	0.07

PARTS TABLE		
PART	DESCRIPTION	QTY/REEL
TFDU4301-TR1	Oriented in carrier tape for side view surface mounting	750 pcs
TFDU4301-TR3	Oriented in carrier tape for side view surface mounting	2500 pcs
TFDU4301-TT1	Oriented in carrier tape for top view surface mounting	750 pcs
TFDU4301-TT3	Oriented in carrier tape for top view surface mounting	2500 pcs

**FUNCTIONAL BLOCK DIAGRAM**


PIN DESCRIPTION				
PIN NUMBER	FUNCTION	DESCRIPTION	I/O	ACTIVE
1	$V_{CC2}$ IRED anode	Connect IRED anode directly to the power supply ( $V_{CC2}$ ). IRED current can be decreased by adding a resistor in series between the power supply and IRED anode. A separate unregulated power supply can be used at this pin		
2	IRED cathode	IRED cathode, internally connected to the driver transistor		
3	TXD	This Schmitt-Trigger input is used to transmit serial data when SD is low. An on-chip protection circuit disables the LED driver if the TXD pin is asserted for longer than 100 $\mu$ s. The input threshold voltage adapts to and follows the logic voltage swing defined by the applied supply voltage	I	High
4	RXD	Received data output, push-pull CMOS driver output capable of driving standard CMOS or TTL loads. During transmission the RXD output is active and mirrors the transmit signal. No external pull-up or pull-down resistor is required. Floating with a weak pull-up of 500 k $\Omega$ (typ.) in shutdown mode. The voltage swing is defined by the applied supply voltage	O	Low
5	SD	Shutdown. The input threshold voltage adapts to and follows the logic voltage swing defined by the applied supply voltage	I	High
6	$V_{CC1}$	Supply voltage		
7	NC	Not connected	I	
8	GND	Ground		

**PINOUT**

 TFDU4301  
 weight 75 mg


18101-1

**Definitions:**

In the Vishay transceiver data sheets the following nomenclature is used for defining the IrDA operating modes: SIR: 2.4 kbit/s to 115.2 kbit/s, equivalent to the basic serial infrared standard with the physical layer version IrPhy 1.0

MIR: 576 kbit/s to 1152 kbit/s

FIR: 4 Mbit/s

VFIR: 16 Mbit/s

MIR and FIR were implemented with IrPhy 1.1, followed by IrPhy 1.2, adding the SIR low power standard. IrPhy 1.3 extended the low power option to MIR and FIR and VFIR was added with IrPhy 1.4. A new version of the standard in any case obsoletes the former version.

With introducing the updated versions the old versions are obsolete. Therefore the only valid IrDA standard is the actual version IrPhy 1.4 (in Oct. 2002).



ABSOLUTE MAXIMUM RATINGS						
PARAMETER	TEST CONDITIONS	SYMBOL	MIN.	TYP.	MAX.	UNIT
Supply voltage range, transceiver	$-0.3\text{ V} < V_{CC2} < 6\text{ V}$	$V_{CC1}$	-0.5	-	+6	V
Supply voltage range, transmitter	$-0.5\text{ V} < V_{CC1} < 6\text{ V}$	$V_{CC2}$	-0.5	-	+6	V
RXD output voltage	$-0.5\text{ V} < V_{CC1} < 6\text{ V}$	$V_{RXD}$	-0.5	-	$V_{CC1} + 0.5$	V
Voltage at all inputs	Note: $V_{in} \geq V_{CC1}$ is allowed	$V_{IN}$	-0.5	-	+6	V
Input current	For all pins, except IRED anode pin		-	-	10	mA
Output sinking current			-	-	25	mA
Power dissipation		$P_D$	-	-	250	mW
Junction temperature		$T_J$	-	-	125	°C
Ambient temperature range (operating)		$T_{amb}$	-30	-	+85	°C
Storage temperature range		$T_{stg}$	-40	-	+100	°C
Soldering temperature	See recommended solder profile		-	-	260	°C
Average output current, pin 1		$I_{IRED(DC)}$	-	-	85	mA
Repetitive pulsed output current, pin 1 to pin 2	$t < 90\ \mu\text{s}$ , $t_{on} < 20\%$	$I_{IRED(RP)}$	-	-	430	mA
ESD protection		$V_{ESD}$	1	-	-	kV
Latchup			$ \pm 100 $	-	-	mA
Thermal resistance junction-to-ambient	JESD51	$R_{thJA}$	-	300	-	K/W

**Note**

- Reference point ground (pin 8) unless otherwise noted.  
Typical values are for DESIGN AID ONLY, not guaranteed nor subject to production testing.  
We apologize to use sometimes in our documentation the abbreviation LED and the word light emitting diode instead of infrared emitting diode (IRED) for IR-emitters. That is by definition wrong; we are here following just a bad trend.  
Typical values are for design aid only, not guaranteed nor subject to production testing and may vary with time

EYE SAFETY INFORMATION	
STANDARD	CLASSIFICATION
IEC/EN 60825-1 (2007-03), DIN EN 60825-1 (2008-05) "SAFETY OF LASER PRODUCTS - Part 1: equipment classification and requirements", simplified method	Class 1
IEC 62471 (2006), CIE S009 (2002) "Photobiological Safety of Lamps and Lamp Systems"	Exempt
DIRECTIVE 2006/25/EC OF THE EUROPEAN PARLIAMENT AND OF THE COUNCIL of 5 <sup>th</sup> April 2006 on the minimum health and safety requirements regarding the exposure of workers to risks arising from physical agents (artificial optical radiation) (19 <sup>th</sup> individual directive within the meaning of article 16(1) of directive 89/391/EEC)	Exempt

**Note**

- Vishay transceivers operating inside the absolute maximum ratings are classified as eye safe according the above table

ELECTRICAL CHARACTERISTICS ( $T_{amb} = 25\text{ °C}$ , $V_{CC1} = V_{CC2} = 2.4\text{ V}$ to $5.5\text{ V}$ unless otherwise noted)						
PARAMETER	TEST CONDITIONS	SYMBOL	MIN.	TYP.	MAX.	UNIT
<b>TRANSCEIVER</b>						
Supply voltage		$V_{CC1}$	2.4	-	5.5	V
Operating temperature range		$T_{amb}$	-30	-	+85	°C
Data rates			9.6	-	115.2	kbit/s
Idle supply current at $V_{CC1}$ (receive mode, no signal)	SD = low, $T_{amb} = -25\text{ °C}$ to $+85\text{ °C}$ independent of ambient light, $V_{CC1} = V_{CC2} = 2.4\text{ V}$ to $5.5\text{ V}$	$I_{CC1}$	40	70	150	$\mu\text{A}$
	SD = low, $T_{amb} = 25\text{ °C}$ , $V_{CC1} = V_{CC2} = 2.4\text{ V}$ to $5.5\text{ V}$	$I_{CC1}$	40	70	100	$\mu\text{A}$
Average dynamic supply current, transmitting	$I_{IRED} = 300\text{ mA}$ , 20 % duty cycle	$I_{CC1}$	-	0.6	2	mA
Standby (SD) <sup>(1)</sup> supply current	SD = high, $T_{amb} = -25\text{ °C}$ to $+85\text{ °C}$ independent of ambient light	$I_{SD}$	-	0.01	1	$\mu\text{A}$
RXD to $V_{CC1}$ impedance		$R_{RXD}$	400	500	600	k $\Omega$
Input voltage low (TXD, SD)	SD = high	$V_{ILo}$	-0.3	-	0.4	V



<b>ELECTRICAL CHARACTERISTICS</b> ( $T_{amb} = 25\text{ }^{\circ}\text{C}$ , $V_{CC1} = V_{CC2} = 2.4\text{ V to }5.5\text{ V}$ unless otherwise noted)						
PARAMETER	TEST CONDITIONS	SYMBOL	MIN.	TYP.	MAX.	UNIT
<b>TRANSCEIVER</b>						
Input voltage high (SD)	For compliance with ISD spec.	$V_{IH}$	$V_{CC1} - 0.3$	-	6	V
Input voltage high (TXD)		$V_{IH}$	$V_{CC1} - 0.5$	-	6	V
Timing logic decision level			-	$0.5 \times V_{CC1}$	-	
Input leakage current low	$V_{ILo} \leq 0.3\text{ V}$	$I_{ILo}$	-	0.01	10	$\mu\text{A}$
Input leakage current high	$V_{IH} \geq V_{CC1} - 0.3\text{ V}$	$I_{IH}$	-	0.01	10	$\mu\text{A}$
Input capacitance (TXD, SD)		$C_{IN}$	-	-	5	pF
Output voltage low, RXD	$C_{load} = 8\text{ pF}$ , $I_{OLo} \leq  +500\text{ }\mu\text{A} $	$V_{OLo}$	-	-	0.4	V
Output voltage high, RXD	$I_{OH} = -200\text{ }\mu\text{A}$	$V_{OHi}$	$0.8 \times V_{CC1}$	-	$V_{CC1}$	V

**Notes**

- Typical values are for DESIGN AID ONLY, not guaranteed nor subject to production testing
- (1) SD mode becomes active when SD is set high for more than 0.2  $\mu\text{s}$ . In SD mode the detector is disabled and the output disconnected

<b>OPTOELECTRONIC CHARACTERISTICS</b> ( $T_{amb} = 25\text{ }^{\circ}\text{C}$ , $V_{CC1} = V_{CC2} = 2.4\text{ V to }5.5\text{ V}$ unless otherwise noted)						
PARAMETER	TEST CONDITIONS	SYMBOL	MIN.	TYP.	MAX.	UNIT
<b>RECEIVER</b>						
Minimum irradiance $E_e$ in angular range <sup>(2)</sup>	9.6 kbit/s to 115.2 kbit/s, $\lambda = 850\text{ nm to }900\text{ nm}$ ; $\alpha = 0^{\circ}, 15^{\circ}$	$E_e$	-	40 (4)	80 (8)	$\text{mW}/\text{m}^2$ ( $\mu\text{W}/\text{cm}^2$ )
Maximum irradiance $E_e$ In Angular Range <sup>(3)</sup>	$\lambda = 850\text{ nm to }900\text{ nm}$	$E_e$	-	5 (500)	-	$\text{kW}/\text{m}^2$ ( $\text{mW}/\text{cm}^2$ )
Maximum no detection irradiance <sup>(1)</sup>	$\lambda = 850\text{ nm to }900\text{ nm}$ , $t_r, t_f < 40\text{ ns}$ , $t_{po} = 1.6\text{ }\mu\text{s}$ at $f = 115\text{ kHz}$ , no output signal allowed	$E_e$	4 (0.4)	-	-	$\text{mW}/\text{m}^2$ ( $\mu\text{W}/\text{cm}^2$ )
Rise time of output signal	10 % to 90 %, $C_L = 8\text{ pF}$	$t_{r(RXD)}$	10	30	80	ns
Fall time of output signal	90 % to 10 %, $C_L = 8\text{ pF}$	$t_{f(RXD)}$	10	30	80	ns
RXD pulse width of output signal	Input pulse length $> 1.2\text{ }\mu\text{s}$	$t_{PW}$	1.7	2.2	3	$\mu\text{s}$
Stochastic jitter, leading edge	Input irradiance = $100\text{ mW}/\text{m}^2$ , $\leq 115.2\text{ kbit/s}$		-	-	350	ns
Standby/shutdown delay, receiver startup time	After shutdown active or power-on		-	100	500	$\mu\text{s}$
Latency		$t_L$	-	50	150	$\mu\text{s}$
<b>TRANSMITTER</b>						
IRED operating current limitation	No external resistor for current limitation <sup>(4)</sup>	$I_D$	200	300	430	mA
Forward voltage of built-in IRED	$I_f = 300\text{ mA}$	$V_f$	1.4	1.8	1.9	V
Output leakage IRED current	TXD = 0 V, $0 < V_{CC1} < 5.5\text{ V}$	$I_{IRED}$	-1	0.01	1	$\mu\text{A}$
Output radiant intensity	$\alpha = 0^{\circ}, 15^{\circ}$ , TXD = high, SD = low	$I_e$	30	65	150	$\text{mW}/\text{sr}$
	$V_{CC1} = 5\text{ V}$ , $\alpha = 0^{\circ}, 15^{\circ}$ , TXD = low or SD = high (receiver is inactive as long as SD = high)	$I_e$	-	-	0.04	$\text{mW}/\text{sr}$
Output radiant intensity, angle of half intensity		$\alpha$	-	$\pm 24$	-	$^{\circ}$
Peak - emission wavelength <sup>(5)</sup>		$\lambda_p$	880	-	900	nm
Spectral bandwidth		$\Delta\lambda$	-	45	-	nm

<b>OPTOELECTRONIC CHARACTERISTICS</b> ( $T_{amb} = 25\text{ }^{\circ}\text{C}$ , $V_{CC1} = V_{CC2} = 2.4\text{ V to } 5.5\text{ V}$ unless otherwise noted)						
PARAMETER	TEST CONDITIONS	SYMBOL	MIN.	TYP.	MAX.	UNIT
<b>TRANSMITTER</b>						
Optical rise time, fall time		$t_{ropt}, t_{fopt}$	10	50	300	ns
Optical output pulse duration	Input pulse width $1.6 < t_{TXD} < 23\text{ }\mu\text{s}$	$t_{opt}$	$t_{TXD} - 0.15$		$t_{TXD} + 0.15$	$\mu\text{s}$
	Input pulse width $t_{TXD} \geq 23\text{ }\mu\text{s}$	$t_{opt}$	23	50	100	$\mu\text{s}$
Optical overshoot					25	%

**Notes**

- Typical values are for DESIGN AID ONLY, not guaranteed nor subject to production testing
- (1) Equivalent to IrDA background light and electromagnetic field test: fluorescent lighting immunity
- (2) IrDA sensitivity definition: minimum irradiance  $E_e$  in angular range, power per unit area. The receiver must meet the BER specification while the source is operating at the minimum intensity in angular range into the minimum half-angular range at the maximum link length
- (3) Maximum irradiance  $E_e$  in angular range, power per unit area. The optical delivered to the detector by a source operating at the maximum intensity in angular range at minimum link length must not cause receiver overdrive distortion and possible related link errors. If placed at the active output interface reference plane of the transmitter, the receiver must meet its bit error ratio (BER). For more definitions see the document "Symbols and Terminology" on the Vishay website
- (4) Using an external current limiting resistor is allowed and recommended to reduce IRED intensity and operating current when current reduction is intended to operate at the IrDA low power conditions. E.g. for  $V_{CC2} = 3.3\text{ V}$  a current limiting resistor of  $R_S = 56\text{ }\Omega$  will allow a power minimized operation at IrDA low power conditions
- (5) Due to this wavelength restriction compared to the IrDA spec of 850 nm to 900 nm the transmitter is able to operate as source for the standard remote control applications with codes as e.g. Phillips RC5/RC6® or RECS 80

**RECOMMENDED CIRCUIT DIAGRAM**

Operated with a clean low impedance power supply the TFDU4301 needs no additional external components. However, depending on the entire system design and board layout, additional components may be required (see Fig. 1).

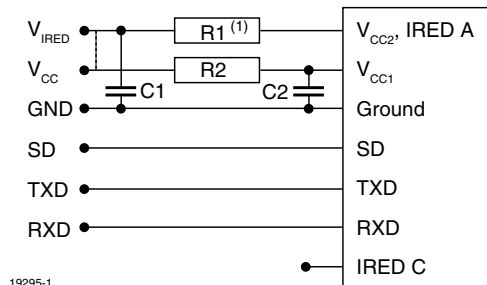


Fig. 1 - Recommended Application Circuit

**Note**

- (1)  $R1$  is optional when reduced intensity is used

The capacitor  $C1$  is buffering the supply voltage and eliminates the inductance of the power supply line. This one should be a tantalum or other fast capacitor to guarantee the fast rise time of the IRED current. The resistor  $R1$  is the current limiting resistor, which may be used to reduce the operating current to levels below the specified controlled values for saving battery power.

Vishay's transceivers integrate a sensitive receiver and a built-in power driver. The combination of both needs a careful circuit board layout. The use of thin, long, resistive and inductive wiring should be avoided. The shutdown input must be grounded for normal operation, also when the shutdown function is not used.

<b>TABLE 1 - RECOMMENDED APPLICATION CIRCUIT COMPONENTS</b>		
COMPONENT	RECOMMENDED VALUE	VISHAY PART NUMBER
C1	4.7 $\mu\text{F}$ , 16 V	293D 475X9 016B
C2	0.1 $\mu\text{F}$ , ceramic	VJ 1206 Y 104 J XXMT
R1	Depends on current to be adjusted	
R2	47 $\Omega$ , 0.125 W	CRCW-1206-47R0-F-RT1

The inputs (TXD, SD) and the output RXD should be directly connected (DC - coupled) to the I/O circuit. The capacitor  $C2$  combined with the resistor  $R2$  is the low pass filter for smoothing the supply voltage.  $R2$ ,  $C1$  and  $C2$  are optional and dependent on the quality of the supply voltages  $V_{CC1}$  and injected noise. An unstable power supply with dropping voltage during transmission may reduce the sensitivity (and transmission range) of the transceiver.

The placement of these parts is critical. It is strongly recommended to position  $C2$  as close as possible to the transceiver pins.

When extended wiring is used as in bench tests the inductance of the power supply can cause dynamically a voltage drop at  $V_{CC2}$ . Often some power supplies are not able to follow the fast current rise time. In that case another 4.7  $\mu\text{F}$  (type, see table under  $C1$ ) at  $V_{CC2}$  will be helpful.

Under extreme EMI conditions as placing an RF-transmitter antenna on top of the transceiver, we recommend to protect all inputs by a low-pass filter, as a minimum a 12 pF capacitor, especially at the RXD port. The transceiver itself withstands EMI at GSM frequencies above 500 V/m. When interference is observed, the wiring to the inputs picks it up. It is verified by DPI measurements that as long as the interfering RF - voltage is below the logic

threshold levels of the inputs and equivalent levels at the outputs no interferences are expected.

One should keep in mind that basic RF - design rules for circuits design should be taken into account. Especially

longer signal lines should not be used without termination. See e.g. "The Art of Electronics" Paul Horowitz, Winfield Hill, 1989, Cambridge University Press, ISBN: 0521370957.

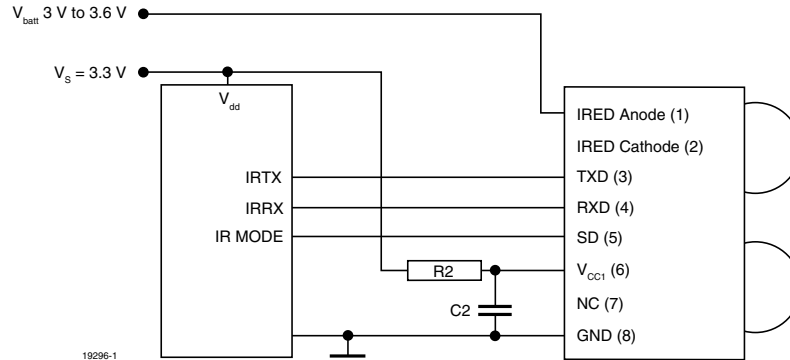


Fig. 2 - Typical Application Circuit

Figure 2 shows an example of a typical application for to work with a separate supply voltage  $V_S$  and using the transceiver with the IRED Anode connected to the unregulated battery  $V_{batt}$ . This method reduces the peak load of the regulated power supply and saves therefore costs. Alternatively all supplies can also be tied to only one voltage source. R1 and C1 are not used in this case and are depending on the circuit design in most cases not necessary.

## I/O AND SOFTWARE

In the description, already different I/Os are mentioned. Different combinations are tested and the function verified with the special drivers available from the I/O suppliers. In special cases refer to the I/O manual, the Vishay application notes, or contact directly Vishay Sales, Marketing or Application.

For operating at RS232 ports we recommend to use an encoder / decoder-module.

### Note

- TFDU4301 echoes the TXD signal at the RXD output during transmission. For communication this signal is to be correctly ignored by the controller or the software. The echo signal is implemented for test purposes in mass production

TABLE 2 - TRUTH TABLE					
INPUTS			OUTPUTS		REMARK
SD	TXD	OPTICAL INPUT IRRADIANCE $mW/m^2$	RXD	TRANSMITTER	OPERATION
High > 1 ms	x	x	Weakly pulled (500 k $\Omega$ ) to $V_{CC1}$	0	Shutdown
Low	High	x	Low (active)	$I_e$	Transmitting
Low	High > 100 $\mu s$	x	High inactive	0	Protection is active
Low	Low	< 4	High inactive	0	Ignoring low signals below the IrDA defined threshold for noise immunity
Low	Low	> min. detection threshold irradiance < max. detection threshold irradiance	Low (active)	0	Response to an IrDA compliant optical input signal
Low	Low	> max. detection threshold irradiance	Undefined	0	Overload conditions can cause unexpected outputs

**RECOMMENDED SOLDER PROFILES**

**Solder Profile for Sn/Pb Soldering**

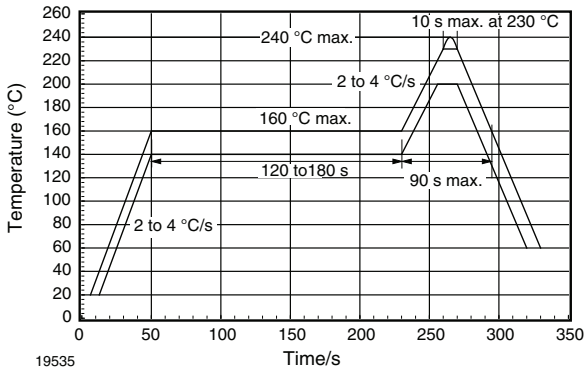


Fig. 3 - Recommended Solder Profile for Sn/Pb Soldering

**Lead (Pb)-free, Recommended Solder Profile**

The TFDU4301 is a lead (Pb)-free transceiver and qualified for lead (Pb)-free processing. For lead (Pb)-free solder paste like Sn<sub>(3.0-4.0)</sub>Ag<sub>(0.5-0.9)</sub>Cu, there are two standard reflow profiles: Ramp-Soak-Spike (RSS) and Ramp-To-Spike (RTS). The Ramp-Soak-Spike profile was developed primarily for reflow ovens heated by infrared radiation. With widespread use of forced convection reflow ovens the Ramp-To-Spike profile is used increasingly. Shown below in figure 5 and 6 are VISHAY's recommended profiles for use with the TFDU4301 transceivers. For more details please refer to the application note "SMD Assembly Instructions". A ramp-up rate less than 0.9 °C/s is not recommended. Ramp-up rates faster than 1.3 °C/s could damage an optical part because the thermal conductivity is less than compared to a standard IC.

**Wave Soldering**

For TFDUxxxx, TFBSxxxx, and TFBRxxxx transceiver devices wave soldering is not recommended.

**Manual Soldering**

Manual soldering is the standard method for lab use. However, for a production process it cannot be recommended because the risk of damage is highly dependent on the experience of the operator. Nevertheless, we added a chapter to the above mentioned application note, describing manual soldering and desoldering.

**Storage**

The storage and drying processes for all VISHAY transceivers (TFDUxxxx, TFBSxxxx, and TFBRxxxx) are equivalent to MSL4.

The data for the drying procedure is given on labels on the packing and also in the application note "Taping, Labeling, Storage and Packing".

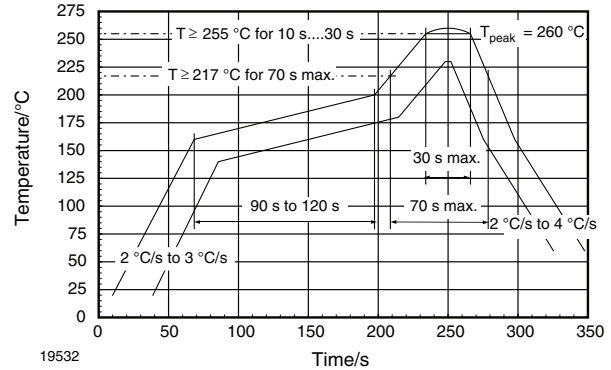


Fig. 4 - Solder Profile, RSS Recommendation

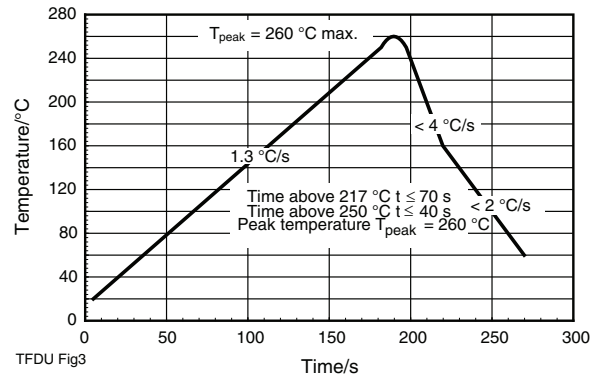
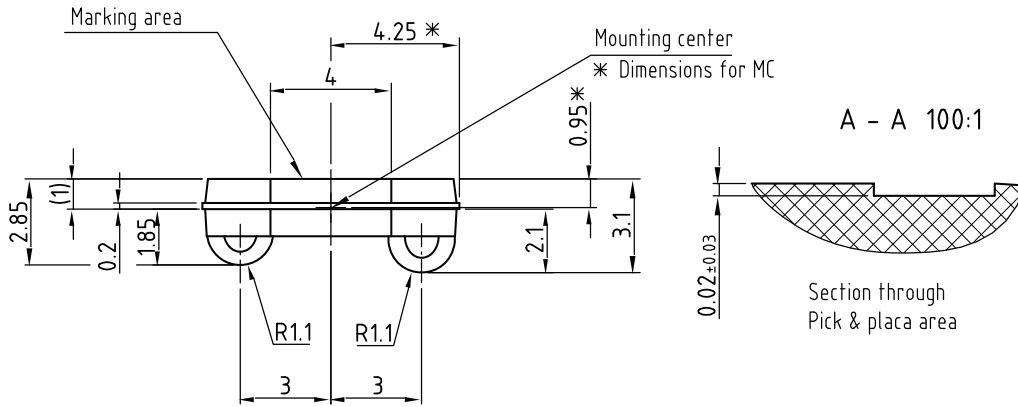
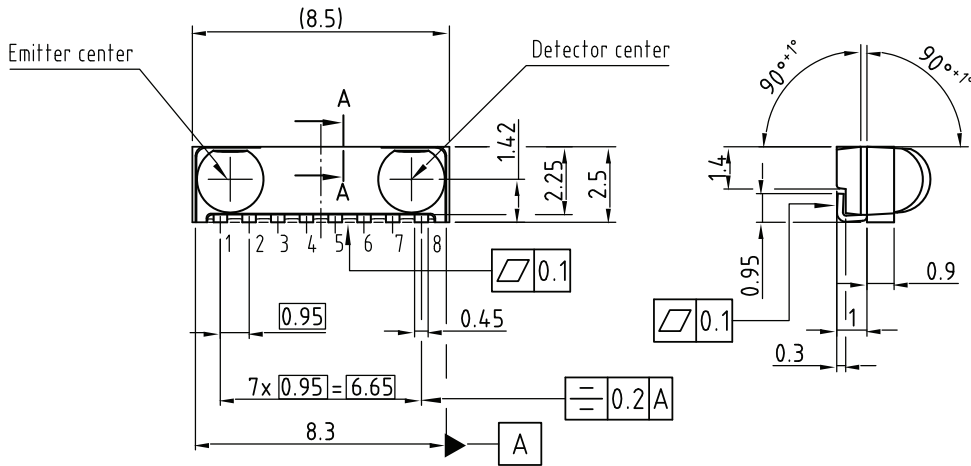


Fig. 5 - RTS Recommendation



PACKAGE DIMENSIONS in millimeters

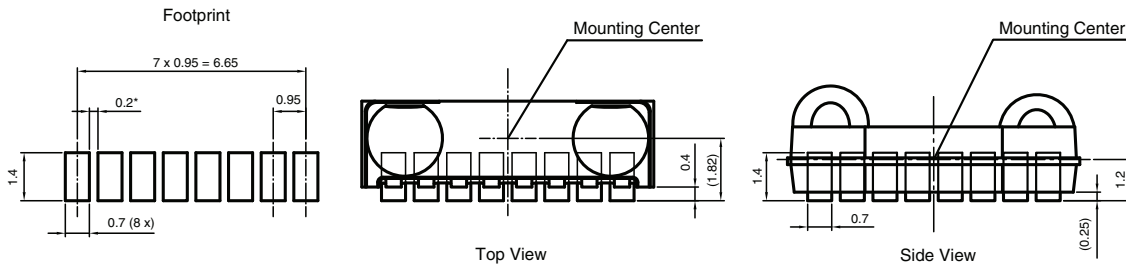


Drawing-No.: 6.550-5252.01-4  
Issue: 2; 12.10.04

TFDU4301 mechanical dimensions  
Tolerance ± 0.2 mm if not otherwise mentioned

technical drawings  
according to DIN  
specifications

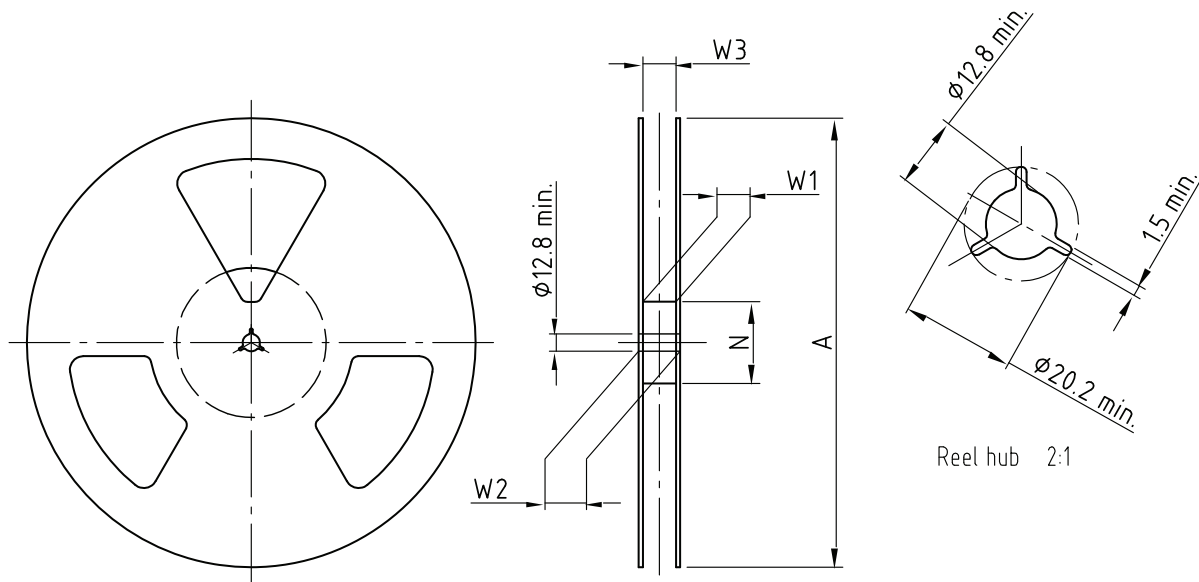
20627



\* min 0.2 Photoimageable  
solder mask recommended  
between pads to prevent bridging

20626

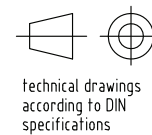


**REEL DIMENSIONS** in millimeters


Drawing-No.: 9.800-5090.01-4  
 Issue: 1; 29.11.05  
 14017

Form of the leave open  
 of the wheel is supplier specific.

Dimension acc. to IEC EN 60 286-3



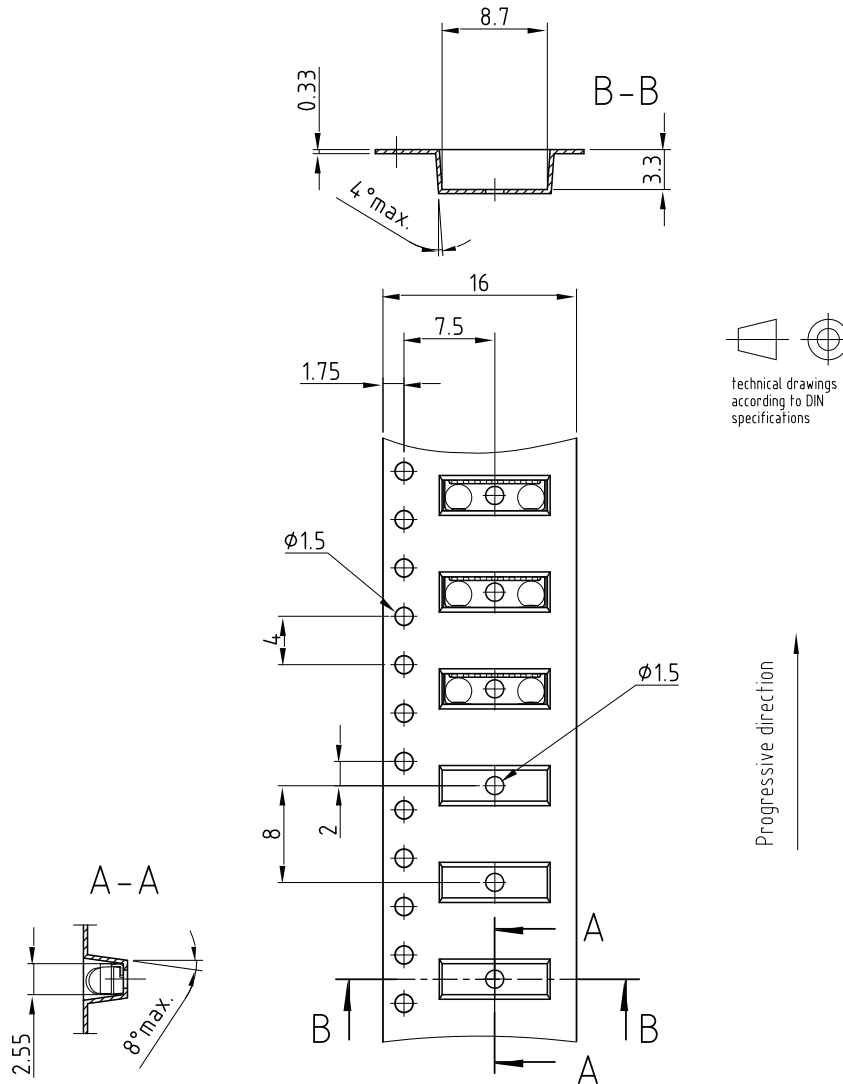
TAPE WIDTH (mm)	A MAX. (mm)	N (mm)	W <sub>1</sub> MIN. (mm)	W <sub>2</sub> MAX. (mm)	W <sub>3</sub> MIN. (mm)	W <sub>3</sub> MAX. (mm)
16	180	60	16.4	22.4	15.9	19.4
16	330	50	16.4	22.4	15.9	19.4

**HANDLING PRECAUTION**

Sagging of carrier tape may cause some units to rotate and will result to pick-and-place problem. Do not allow carrier tape to sag as shown in picture below.



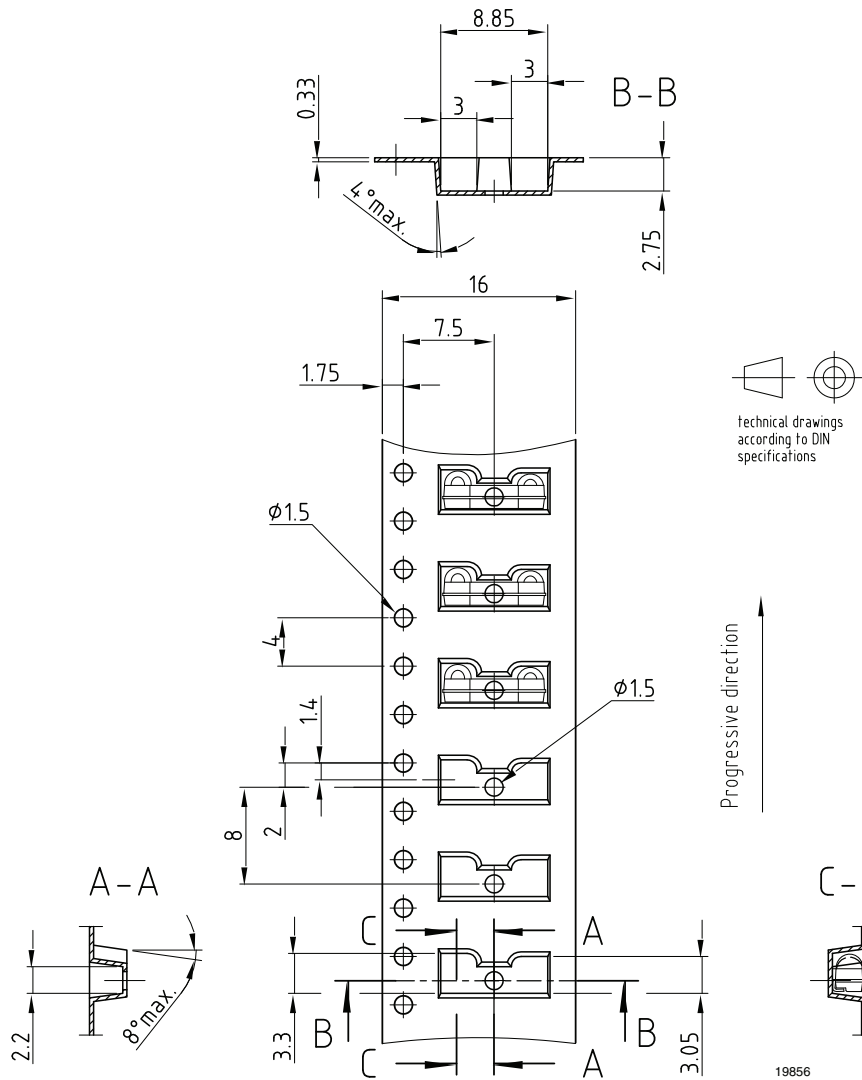
TAPE DIMENSIONS FOR TT1 AND TT3 in millimeters



Drawing-No.: 9.700-5280.01-4  
 Issue: 1; 03.11.03  
 19855

Fig. 6 - Tape Drawing, TFDU4301 for Top View Mounting

TAPE DIMENSIONS FOR TR1 AND TR3 in millimeters



Drawing-No.: 9.700-5279.01-4  
 Issue: 1; 08.12.04  
 19856

Fig. 7 - Tape Drawing, TFDU4301 for Side View Mounting



## Disclaimer

ALL PRODUCT, PRODUCT SPECIFICATIONS AND DATA ARE SUBJECT TO CHANGE WITHOUT NOTICE TO IMPROVE RELIABILITY, FUNCTION OR DESIGN OR OTHERWISE.

Vishay Intertechnology, Inc., its affiliates, agents, and employees, and all persons acting on its or their behalf (collectively, "Vishay"), disclaim any and all liability for any errors, inaccuracies or incompleteness contained in any datasheet or in any other disclosure relating to any product.

Vishay makes no warranty, representation or guarantee regarding the suitability of the products for any particular purpose or the continuing production of any product. To the maximum extent permitted by applicable law, Vishay disclaims (i) any and all liability arising out of the application or use of any product, (ii) any and all liability, including without limitation special, consequential or incidental damages, and (iii) any and all implied warranties, including warranties of fitness for particular purpose, non-infringement and merchantability.

Statements regarding the suitability of products for certain types of applications are based on Vishay's knowledge of typical requirements that are often placed on Vishay products in generic applications. Such statements are not binding statements about the suitability of products for a particular application. It is the customer's responsibility to validate that a particular product with the properties described in the product specification is suitable for use in a particular application. Parameters provided in datasheets and / or specifications may vary in different applications and performance may vary over time. All operating parameters, including typical parameters, must be validated for each customer application by the customer's technical experts. Product specifications do not expand or otherwise modify Vishay's terms and conditions of purchase, including but not limited to the warranty expressed therein.

Hyperlinks included in this datasheet may direct users to third-party websites. These links are provided as a convenience and for informational purposes only. Inclusion of these hyperlinks does not constitute an endorsement or an approval by Vishay of any of the products, services or opinions of the corporation, organization or individual associated with the third-party website. Vishay disclaims any and all liability and bears no responsibility for the accuracy, legality or content of the third-party website or for that of subsequent links.

Except as expressly indicated in writing, Vishay products are not designed for use in medical, life-saving, or life-sustaining applications or for any other application in which the failure of the Vishay product could result in personal injury or death. Customers using or selling Vishay products not expressly indicated for use in such applications do so at their own risk. Please contact authorized Vishay personnel to obtain written terms and conditions regarding products designed for such applications.

No license, express or implied, by estoppel or otherwise, to any intellectual property rights is granted by this document or by any conduct of Vishay. Product names and markings noted herein may be trademarks of their respective owners.