

Single Shot (Pulse Former) TDUS Digi-Set Timing Module



10 YEAR WARRANTY

Description

The TDUS Series combines digital timing circuitry with universal voltage operation. 24 to 240 V AC and 12 to 24 V DC are available in three ranges. The TDUS Series offers DIP switch selectable time delays ranging from 100 ms to 10,230 s in three ranges. Its 1 A rated output, its ability to operate on multiple voltages, and its wide range of switch selectable time delays make the TDUS Series an excellent choice for process control systems and OEM equipment.

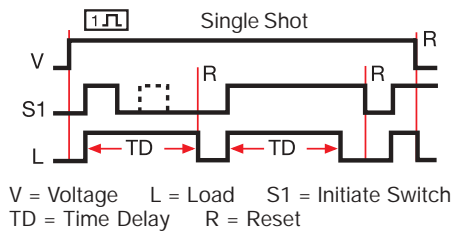
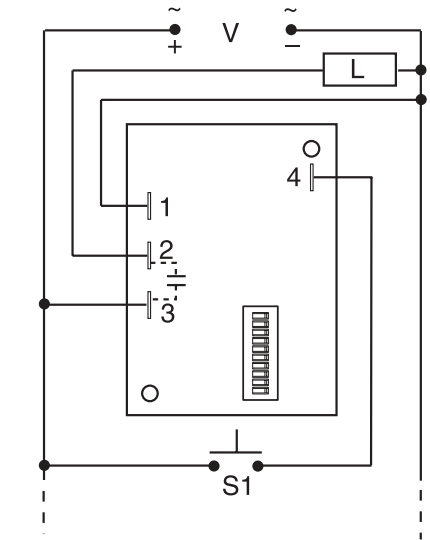
Operation

Input voltage must be applied to the input before and during timing. Upon momentary or maintained closure of the initiate switch (leading edge triggered), the output is energized for a measured interval of time. At the end of the delay, the output de-energizes. Opening or reclosing the initiate switch during timing has no effect on the time delay. The output will energize if the initiate switch is closed when input voltage is applied.

Reset: Reset occurs when the time delay is complete and the initiate switch is opened. Loss of input voltage resets the time delay and output.

Approvals:

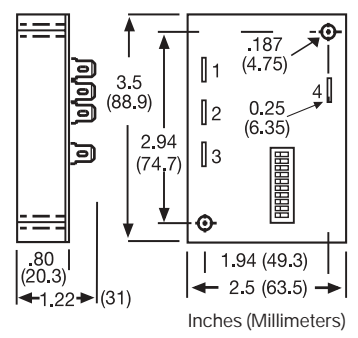
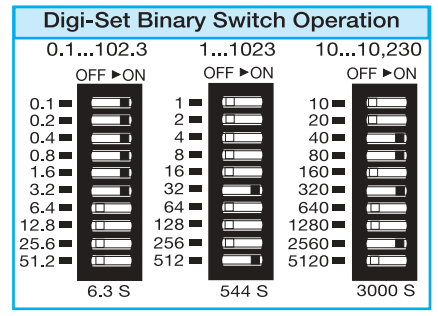
- Switch Selectable Time Setting
- Three Time Ranges from 100 ms ... 10,230 s
- No First-Shot Effect
- Fully Solid State and Encapsulated
- Operates on Multiple Voltages



Input Voltage Range	Time Range - Seconds	Part Number
24 ... 120 V AC	0.1 ... 102.3	TDUSL3000A
100 ... 240 V AC	0.1 ... 102.3	TDUSL3001A
12 ... 24 V DC	0.1 ... 102.3	TDUSL3002A
24 ... 120 V AC	1 ... 1023	TDUS3000A
100 ... 240 V AC	1 ... 1023	TDUS3001A
12 ... 24 V DC	1 ... 1023	TDUS3002A
24 ... 120 V AC	10 ... 10230	TDUSH3000A
100 ... 240 V AC	10 ... 10230	TDUSH3001A
12 ... 24 V DC	10 ... 10230	TDUSH3002A

Technical Data

Time Delay	
Type	Digital integrated circuitry
Range*	0.1 ... 102.3 s in 0.1 s increments 1 ... 1023 s in 1 s increments 10 ... 10,230 s in 10 s increments
Repeat Accuracy	+/-0.5%
Tolerance (Factory Calibration)	+/-10%
Reset Time	150 ms
Recycle Time	150 ms
Time Delay vs. Temperature & Voltage	+/-5%
Input	
Voltage	24 ... 240 V AC, 12 ... 24 V DC +/-20%
Line Frequency	50 ... 60 Hz
DC Ripple	10%
Output	
Type	Solid state
Form	Normally Open, closed during timing
Rating	1 A steady state, 10 A inrush at 60°C
Voltage Drop	≅ 2.5 V at 1 A
Leakage	≅ 5 mA
Protection	
Circuitry	Encapsulated
Dielectric Breakdown	≥ 2000 V RMS terminals to mounting surface
Insulation Resistance	≥ 100 MΩ
Mechanical	
Mounting	Surface mount with two #8 (M4 x 0.7) screws
Package	3.5 x 2.5 x 1.2 in. (88.9 x 63.5 x 31 mm)
Termination	0.25 in. (6.35 mm) male quick connect terminals
Environmental	
Operating Temperature	-40°C ... +80°C
Storage Temperature	-40°C ... +85°C
Humidity	95% relative, non-condensing
Weight	≅ 4.8 oz (136.1 g)



Accessories

- Female quick connect
P/Ns: P1015-13(AWG 10/12), P1015-64(AWG 14/16), P1015-14(AWG 18/22)
- Quick connect to screw adaptor
P/N: P1015-18

See accessory pages at the end of this section.