

Delay On Make/Delay On Break TDMB Digi-Set Time Delay Relay



- Switch Setable Time Delays From 0.1 s ... 10,230 s
- +/-2% Setting Accuracy
- +/-0.1% Repeat Accuracy
- SPDT or DPDT
- 10 A Output Contacts

Description

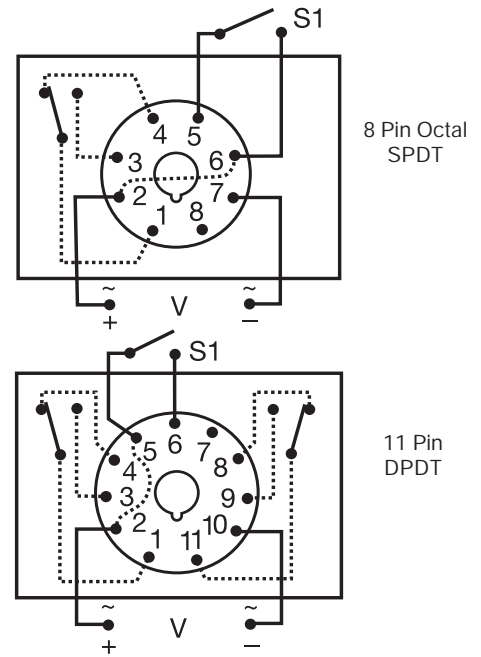
The TDMB combines both delay on make and delay on break functions into one plug-in package. Selection of the time period is accomplished with dual switches, one for the ON delay and the other for the OFF delay. SPDT or DPDT output options provide isolated, 10 A switching capability.

Operation

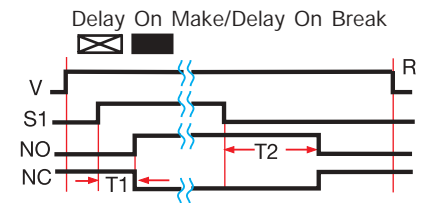
Input voltage must be applied at all times. The output relay is de-energized. Upon closure of the initiate switch, the delay-on-make time delay (T1) begins. At the end of T1, the output relay energizes. When the initiate switch opens the delay-on-break time delay, (T2) begins. At the end of T2, the output relay de-energizes.

Reset: Removing input voltage resets time delay and output. Opening the initiate switch during the delay-on-make delay resets T1. Closing the initiate switch during the delay-on-break delay resets T2.

- Approvals:



Relay contacts are isolated. Dashed lines are internal connections.



Ordering Table

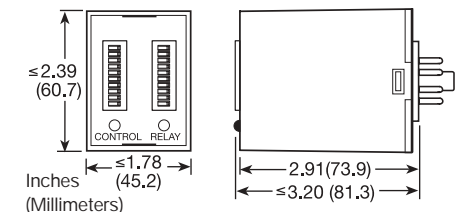
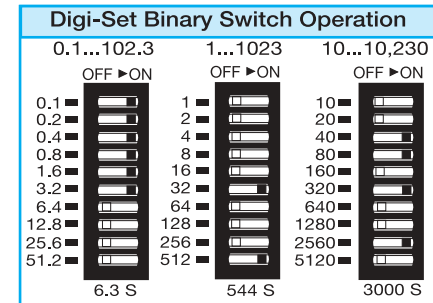
TDMB Series	X Input	X Delay On Make	X Delay On Break	X Type Plug/ Output Form
-1	12 V DC *	0.1...102.3 s in 0.1 s increments	0.1...102.3 s in 0.1 s increments	D - 11 Pin Plug DPDT
-2	24 V AC	1...1023 s in 1 s increments	1...1023 s in 1 s increments	Blank - Octal Plug (8 Pin) SPDT
-3	24 V DC	10...10230 s in 10 s increments	10...10230 s in 10 s increments	
-4	120 V AC			
-5	110 V DC			
-6	230 V AC			

* No control status LED for 12 V DC

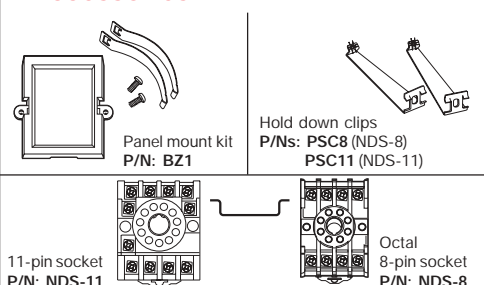
Example P/N: **TDMB423**

Technical Data

Time Delay	
Type	Digital integrated circuitry
Range**	0.1 ... 102.3 s in 0.1 s increments 1 ... 1023 s in 1 s increments 10 ... 10,230 s in 10 s increments
Repeat Accuracy	+/-0.1%
Setting Accuracy	+/-2%
Reset Time	150 ms
Recycle Time	≤500 ms
Time Delay vs. Temperature & Voltage	+/-5%
Input	
Voltage	12, 24, 120, or 230 V
Tolerance	12 V DC & 24 V DC/AC: -15% ... +20% 110 ... 230 V AC/DC: -20% ... +10%
Line Frequency	50 ... 60 Hz
Output	
Type	Electromechanical relay
Form	SPDT or DPDT
Rating	10 A resistive at 120 V AC
Life	Mechanical -- 1 x 10 ⁷ Full Load -- 1 x 10 ⁶
Protection	
Isolation Voltage	≥ 1500 V RMS input to output
Mechanical	
Mounting	Plug-in socket
Package	3.2 x 2.4 x 1.8 in. (81.3 x 60.7 x 45.2 mm)
Termination	Octal plug (8 Pin), magnal plug (11 Pin)
Environmental	
Operating Temperature	-20°C ... +60°C
Storage Temperature	-30°C ... +85°C
Weight	≅ 6 oz (170 g)



Accessories



**For CE approved applications, power must be removed from the unit when a switch position is changed.

See accessory pages at the end of this section.