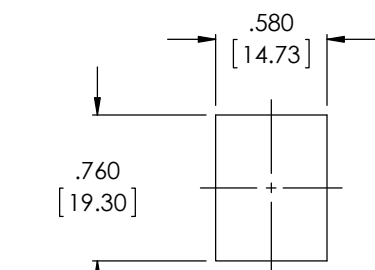
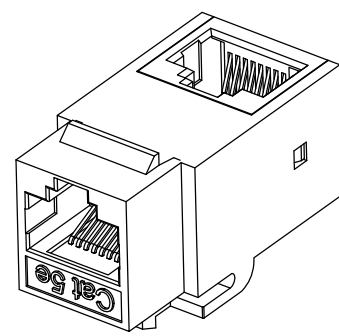
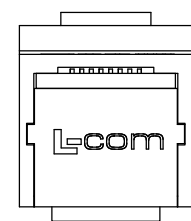
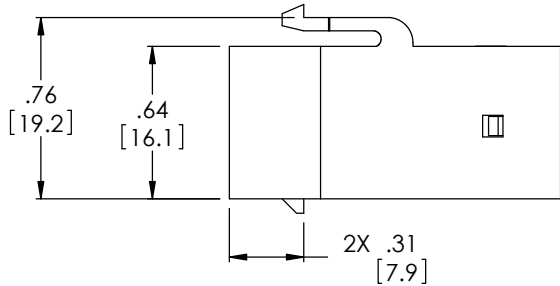
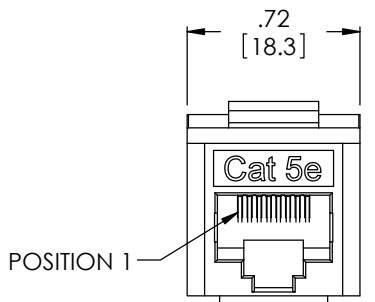
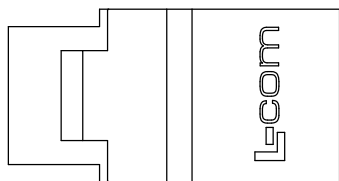
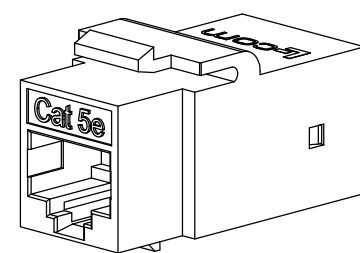
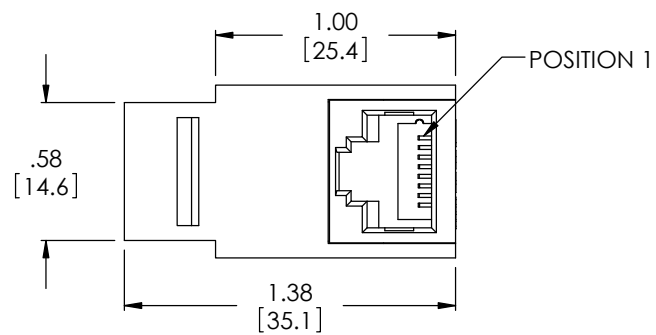


THE INFORMATION CONTAINED IN THIS DRAWING IS THE SOLE PROPERTY OF L-COM, INC. ANY REPRODUCTION IN PART OR WHOLE WITHOUT THE WRITTEN PERMISSION OF L-COM, INC. IS PROHIBITED.

REVISIONS			
REV	DESCRIPTION	DATE	APPROVED
E	ECN 6881: REVISED PANEL OPENING. ADDED PACKAGING	6/17/13	D. DESJARDIN



RECOMMENDED PANEL OPENING



- NOTES:**
1. RATING: CATEGORY 5E
 2. COUPLER IS WIRED STRAIGHT THROUGH
 3. JACKS CONFORM TO TIA-1096
 4. HOUSING: ABS, UL94V-0 RATED, COLOR: BLACK
 5. CONTACTS ARE GOLD PLATED
 6. COMPONENT SHALL BE INDIVIDUALLY PACKAGED IN ACCORDANCE WITH L-COM SPECIFICATION PS-0031.
 7. ALL DIMENSIONS ARE FOR REFERENCE ONLY

UNLESS OTHERWISE SPECIFIED, DIMENSIONS ARE IN INCHES [mm] OVERALL CABLE LENGTH TOLERANCE: ≤12 [305] = +1 [25] / -0 >12 [305] ≤60 [1524] = +2 [51] / -0 >60 [1524] ≤120 [3048] = +4 [102] / -0 >120 [3048] ≤300 [7620] = +6 [152] / -0 >300 [7620] = +5% / -0% ALL OTHER DIMENSIONAL TOLERANCES: .X = ±.2 [5.08] .XX = ±.02 [1.51] .XXX = ±.005 [1.13]	APPROVALS DRAWN BY D. PARHAM CHECKED BY ENG APPROVED BY ENG	DATE 10/27/2008 10/27/2008 10/27/2008	45 BEECHWOOD DRIVE NORTH ANDOVER, MA 01845			
	CONFIGURATION DETAILS OF UNDIMENSIONED FEATURES MAY VARY			CATEGORY TELECOM/MODULAR		
	PROJECTION 	COLOR VARIATIONS MAY OCCUR	SIZE A	FSCM NO. 43321	DWG. NO. TDG1026KC-R5E	REV. E
	SCALE: NONE		CAD FILE: TDG1026KC-R5E.SLDDRW		SHEET 1 OF 1	