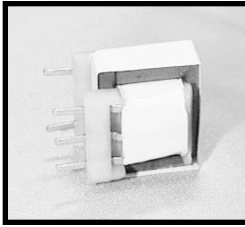


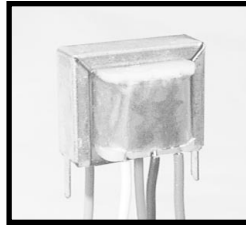
IMPEDANCE MATCHING TRANSFORMERS

Transistor Transformers

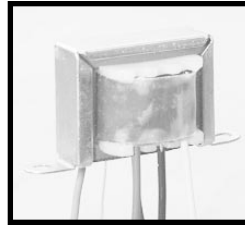
Style B



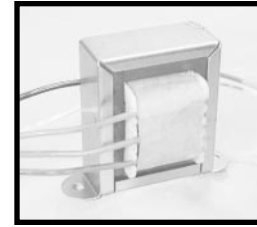
Style C



Style A



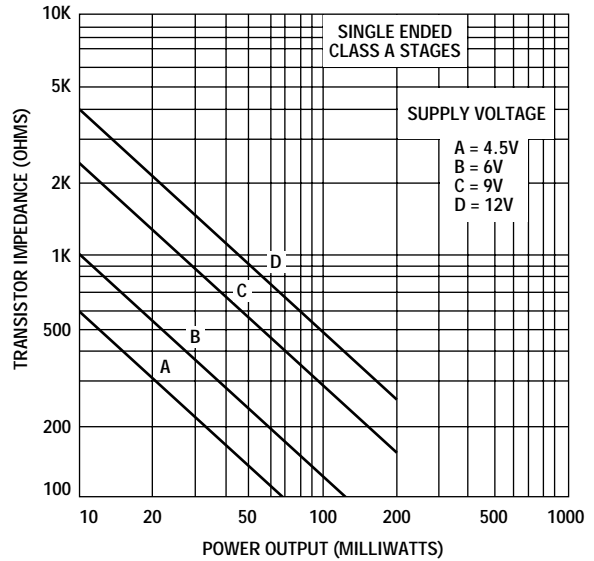
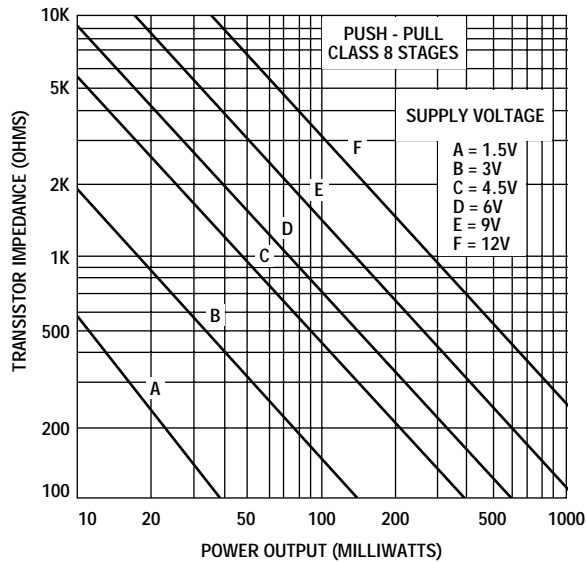
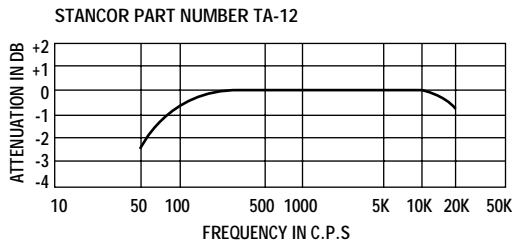
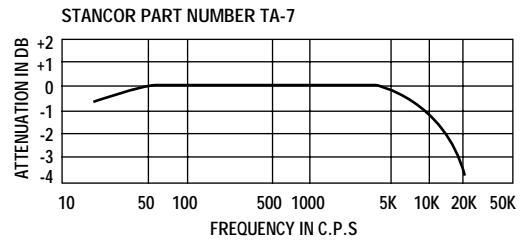
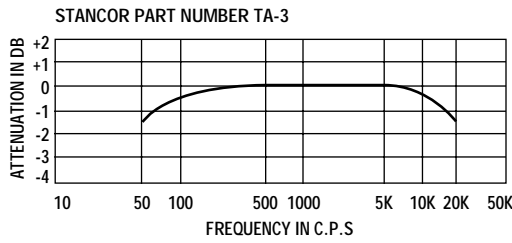
Style S



Sec.	STANCOR PART NUMBER	Style	Impedance (Ohms)		Max. Pri. DCMA	Audio Watts	DC Res. (Ohms)		Turns Ratio		Application	DIMENSIONS-INCHES							Weight (oz.)	Agency Certif.
			Pri.	Sec.			Pri.	Sec.	Pri.	Sec.		H	W	L	MW	A	B	C		
A	TAPC-35	B	10000	2000 C.T.	-	0.15	1200.00	257.00	2.24	1	Interstage	0.75	0.81	0.65	-	-	.187	.430	0.65	-
	TAPC-38	B	500 C.T.	150 C.T.	-	0.15	62.00	21.20	1.72	1	Interstage	0.75	0.81	0.65	-	-	.187	.430	0.65	-
	TA-21	C	500 C.T.	4/8/16	-	0.15	60.00	3.00	5.53	1	Output	0.66	0.81	0.62	0.78	-	-	-	0.65	-
	TA-35	C	10000	2000 C.T.	-	0.15	1200.00	257.00	2.24	1	Interstage	0.66	0.81	0.62	0.78	-	-	-	0.65	-
	TA-38	C	500 C.T.	150 C.T.	-	0.15	62.00	21.20	1.72	1	Interstage	0.66	0.81	0.62	0.78	-	-	-	0.65	-
B	TA-3	A	100	1000 C.T.	100	0.25	5.80	45.00	1.00	3	Interstage	1.38	2.38	1.50	2.00	-	-	-	5.60	-
C	TA-42	A	500 C.T.	4/8/16	-	0.30	40.00	1.20	5.60	1	Output	0.81	1.62	0.75	1.38	-	-	-	1.20	-
	TA-52	A	500 C.T.	500 C.T.	-	0.30	40.00	55.00	1.00	1	Interstage	0.81	1.62	0.75	1.38	-	-	-	1.20	-
	TAPC-52	B	500 C.T.	500 C.T.	-	0.30	40.00	55.00	1.00	1	Interstage	0.88	1.03	1.00	-	-	.200	.780	1.20	-
	TAPC-63	B	20000 C.T.	2000 C.T.	-	0.30	1800.00	290.00	3.17	1	Driver	0.88	1.03	1.00	-	-	.200	.780	1.20	-
	TA-39	A	100 C.T.	4/8/16	-	0.30	10.90	1.45	2.50	1	Output	0.81	1.62	0.75	1.38	-	-	-	1.20	-
D	TA-7	A	100	100 C.T.	100	0.50	12.00	12.00	1.00	1	Driver	1.62	2.88	1.62	2.38	-	-	-	9.60	-
	TA-59	A	500 C.T.	200 C.T.	50	0.50	36.50	15.50	1.50	1	Driver	1.25	2.12	1.38	1.75	-	-	-	3.20	-
E	TA-12	A	20 C.T.	8	500	10.00	0.55	0.30	1.60	1	Output	1.38	2.38	1.62	2.00	-	-	-	7.20	-
	TA-57	S	100 C.T.	16/8/3.2	500	10.00	6.60	1.30	4.40	1	Output	2.38	2.88	1.88	2.38	-	-	-	15.2	-

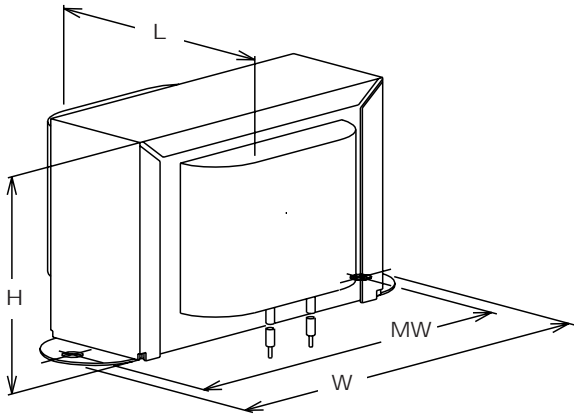
For performance characteristic curves refer to page 41.
For outline drawings refer to page 42.

Performance Characteristic Curves

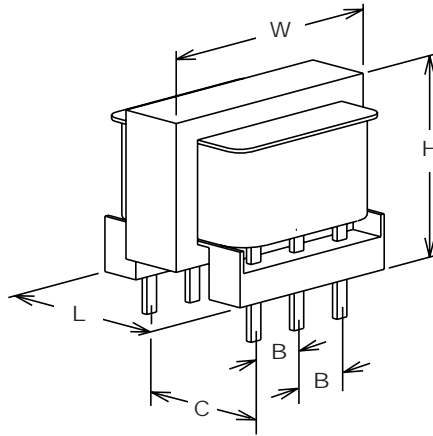


Transistor Transformers

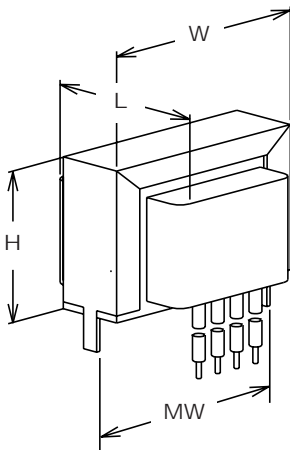
Style A (TA-Series)



Style B (TAPC-Series)



Style C (TA-Series)



Style S (TA-Series)

