

# Lockout Timer TA Series Timing Module



- Lockout Delay--Prevents Rapid Recycling of a Compressor
- Low Voltage Brownout Protection
- Circuitry to Activate the Cooling Anticipator (24 V AC Models)
- Eliminates Nuisance Service Calls Due to Blown Fuse or Tripped Breakers

### Description

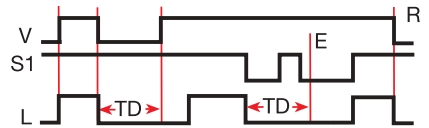
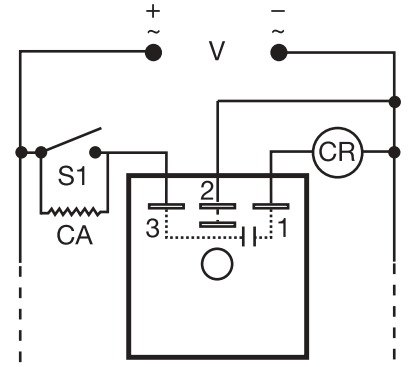
The TA Series prevents rapid recycling of a compressor. A lockout delay is started when the thermostat opens, or input voltage is lost. Eliminates tripped circuit breakers or blown fuses caused by a locked rotor during short cycling. The TA will not allow the compressor to start when the line voltage is low. Chatter of the compressor relay is eliminated. Because of the fast initiate time, bounce of the thermostat will not be transmitted to the compressor relay coil. New 30 second delay for anti-reversing protection of scroll compressors.

### Operation

On initial closure of the S1, the compressor relay energizes immediately. When S1 opens or input voltage is interrupted, a lockout condition and a time delay are initiated. During this lockout time delay, the compressor relay cannot be energized. The low voltage (*brownout*) protection prevents energization of the compressor when the line voltage is low.

**Reset:** The lockout time delay cannot be reset.

- Approvals: (24 V AC only)

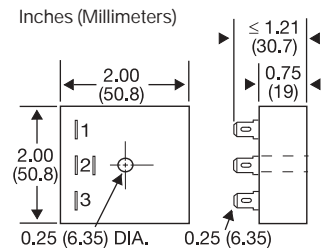


V = Voltage  
S1 = Initiate Switch or Thermostat  
CR = Compressor Relay  
CA = Optional Cooling Anticipator  
L = Load E = Ready  
R = Reset TD = Time Delay

Input	Time Delay	Part Number
24 V AC	30 s	TA24A0.5
24 V AC	2 m	TA24A2
24 V AC	3 m	TA24A3
24 V AC	5 m	TA24A5
12 V DC	1 m	TA12D1
24 V DC	30 s	TA24D0.5
24 V DC	2 m	TA24D2
24 V DC	3 m	TA24D3
24 V DC	5 m	TA24D5

### Technical Data

<b>Input</b>	
Voltage	12 or 24 V DC; 24 V AC, 50 ... 60 Hz
Impedance	450 Ω (anticipator by-pass)
<b>Output</b>	
Minimum Load Current	75 mA
Maximum Load Current	1 A at 60°C
Voltage Drop	≤1.25 V
<b>Time Delay</b>	
Initiate Time	≅ 16 ms
Lockout Time	Fixed 0.5, 1, 2, 3, or 5 m
Tolerance	-15% ... +35%
<b>Protection</b>	
Circuitry	Encapsulated
Low Voltage Protection	≅ 20 V
Dielectric Breakdown	≥ 2000 V RMS terminals to mounting surface
Insulation Resistance	≥ 100 MΩ
<b>Mechanical</b>	
Mounting	Surface mount with one #10 (M5 x 0.8) screw
Package	2 x 2 x 1.21 in. (50.8 x 50.8 x 30.7 mm)
Termination	0.25 in. (6.35 mm) male quick connect terminals
<b>Environmental</b>	
Operating Temperature	-40°C ... +70°C
Storage Temperature	-40°C ... +85°C
Humidity	95% relative, non-condensing
Weight	≅ 2.4 oz (68 g)
<b>Thermostat</b>	
Cooling Anticipator Resistor	≥ 1800 Ω

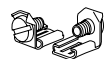


### Accessories

Female quick connect  
P/N: P1015-64(AWG 14/16)



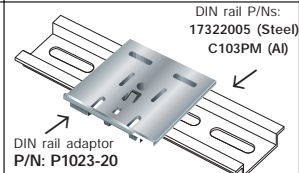
Quick connect to screw adaptor  
P/N: P1015-18



Mounting bracket  
P/N: P1023-6



DIN rail P/Ns:  
17322005 (Steel)  
C103PM (Al)  
DIN rail adaptor  
P/N: P1023-20



See accessory pages at the end of this section.