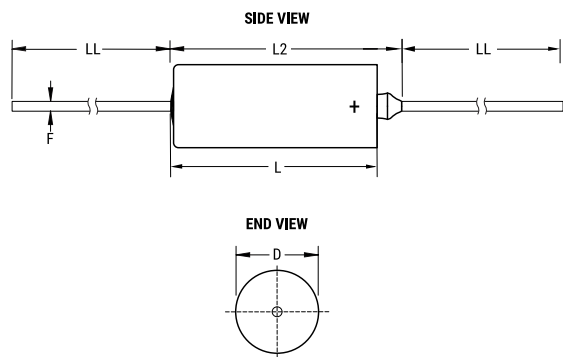


T551, Tantalum, Polymer Tantalum, HRA, 75 uF, 20%, 75 VDC, 110 mOhms



Dimensions	
D	7.34mm +0.41/-0.38mm
L	17.42mm +/-0.79mm
L2	20.88mm MAX
LL	38.1mm +/-6.35mm
F	0.64mm +/-0.05mm

Packaging Specifications	
Packaging:	Tray
Packaging Quantity:	20

General Information	
Series:	T551
Dielectric:	Polymer Tantalum
Style:	Axial Hermetic
RoHS:	No
Prop 65:	WARNING: Cancer and reproductive harm - www.p65warnings.ca.gov .
Termination:	Solder Coated
Lead:	Wire Leads
AEC-Q200:	No
Construction:	Hermetic
Component Weight:	3.63 g
Miscellaneous:	Sleeved.
Shelf Life:	156 Weeks

Specifications	
Capacitance:	75 uF
Capacitance Tolerance:	20%
Voltage DC:	75 VDC (85C), 49.5 VDC (125C), 86.25 VDC (85C Surge)
Temperature Range:	-55/+125°C
Rated Temperature:	85°C
Humidity:	40C, 60% RH
Dissipation Factor:	5% 120Hz 25C
Failure Rate:	N/A
Resistance:	110 mOhm (100kHz 25C)
Ripple Current:	1580 mAmps (40kHz 85C)
Leakage Current:	42.2 uA (5min 25°C)

Statements of suitability for certain applications are based on our knowledge of typical operating conditions for such applications, but are not intended to constitute - and we specifically disclaim - any warranty concerning suitability for a specific customer application or use. This Information is intended for use only by customers who have the requisite experience and capability to determine the correct products for their application. Any technical advice inferred from this Information or otherwise provided by us with reference to the use of our products is given gratis, and we assume no obligation or liability for the advice given or results obtained.