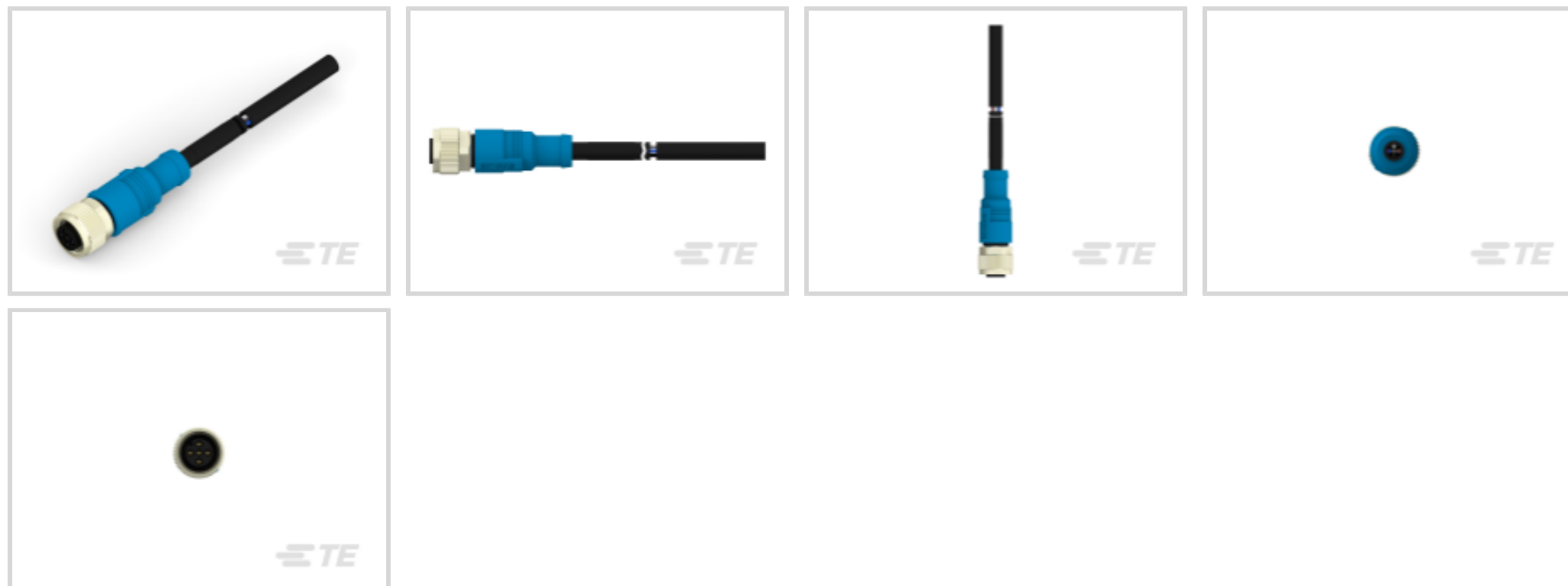




Cable Assemblies > Copper Cable Assemblies > M8/M12 Cable Assemblies > M12 A-CODE FEMALE STRT SINGLE END CABLE



M8/M12 Application Type: **Sensor/Actuator**

Number of M8/M12 Cable Assembly Positions: **5**

M8/M12 Cable Assembly Keying: **A**

M8/M12 Cable Assembly Connector Type: **Receptacle**

M8/M12 Cable Assembly Type: **M12 Pigtail**

[All M12 A-CODE FEMALE STRT SINGLE END CABLE \(140\)](#)

Features

Product Type Features

LED	Without
Cable Type	PVC
Product Type	Cable Assembly
Assembly Type	Pigtail
M8/M12 Cable Assembly Connector Type	Receptacle
M8/M12 Cable Assembly Type	M12 Pigtail
M8/M12 Cable Assembly Shielded	Yes

Configuration Features

Number of M8/M12 Cable Assembly Positions	5
M8/M12 Cable Assembly Keying	A
M8/M12 Cable Assembly Configuration	Single Ended

Electrical Characteristics

Operating Voltage	60 VDC
-------------------	--------



Body Features

Connector Color	Blue
Cable Exit Angle	Straight
Environmental Protection	With
Conductor Material	Copper Alloy
Cable Jacket Color	Black

Contact Features

Contact Current Rating	4 A
------------------------	-----

Mechanical Attachment

Screw & Hole Thread Size	M12
M8/M12 Cable Assembly Mounting Angle	Straight

Housing Features

M8/M12 Cable Assembly Housing Material	GF Nylon
--	----------

Dimensions

Wire Size	22 AWG
Cable Assembly Length	3000 mm

Operation/Application

M8/M12 Application Type	Sensor/Actuator
-------------------------	-----------------

Packaging Features

Packaging Method	Bag
------------------	-----

Other

Field Serviceable	Yes
-------------------	-----

Product Compliance

[For compliance documentation, visit the product page on TE.com>](#)

EU RoHS Directive 2011/65/EU	Compliant with Exemptions
EU ELV Directive 2000/53/EC	Compliant with Exemptions
China RoHS 2 Directive MIIT Order No 32, 2016	Restricted Materials Above Threshold
EU REACH Regulation (EC) No. 1907/2006	Current ECHA Candidate List: JUN 2020 (209) Candidate List Declared Against: JAN 2020 (205) SVHC > Threshold: Pb (1.9% in Pb-Alloy in Copper)



Article Safe Usage Statements:

Do not eat, drink or smoke when using this product. Wash thoroughly after handling. Recycle if possible and dispose of the article by following all applicable governmental regulations relevant to your geographic location.

Halogen Content

Not Yet Reviewed for halogen content

Solder Process Capability

Not applicable for solder process capability

Product Compliance Disclaimer

This information is provided based on reasonable inquiry of our suppliers and represents our current actual knowledge based on the information they provided. This information is subject to change. The part numbers that TE has identified as EU RoHS compliant have a maximum concentration of 0.1% by weight in homogenous materials for lead, hexavalent chromium, mercury, PBB, PBDE, DBP, BBP, DEHP, DIBP, and 0.01% for cadmium, or qualify for an exemption to these limits as defined in the Annexes of Directive 2011/65/EU (RoHS2). Finished electrical and electronic equipment products will be CE marked as required by Directive 2011/65/EU. Components may not be CE marked. Additionally, the part numbers that TE has identified as EU ELV compliant have a maximum concentration of 0.1% by weight in homogenous materials for lead, hexavalent chromium, and mercury, and 0.01% for cadmium, or qualify for an exemption to these limits as defined in the Annexes of Directive 2000/53/EC (ELV). Regarding the REACH Regulation, the information TE provides on SVHC in articles for this part number is based on the latest European Chemicals Agency (ECHA) 'Guidance on requirements for substances in articles' posted at this URL: <https://echa.europa.eu/guidance-documents/guidance-on-reach>

Compatible Parts

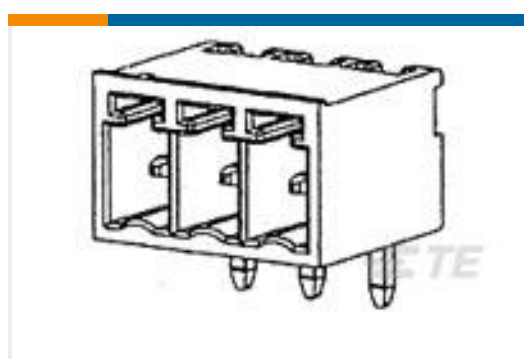


TE Part # CAT-SE594-M1HH
M12 A-CODE MALE STRT SINGLE ENDED CABLE

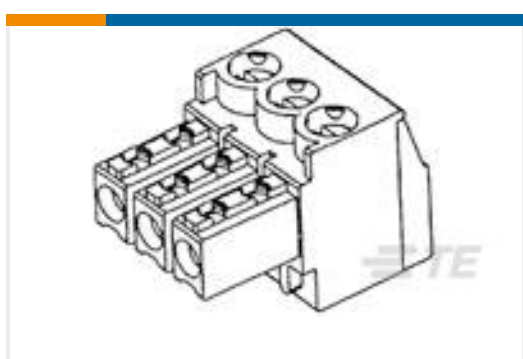
Customers Also Bought



TE Part #1-188275-2
FEMALE-ON-BOARD CONNECTOR TOP ENTRY



TE Part #284513-3
3 POS TERMI-BLOK HDR 900 POL.



TE Part #284507-3
3 POS TERMI-BLOK PLUG STAC 3,8



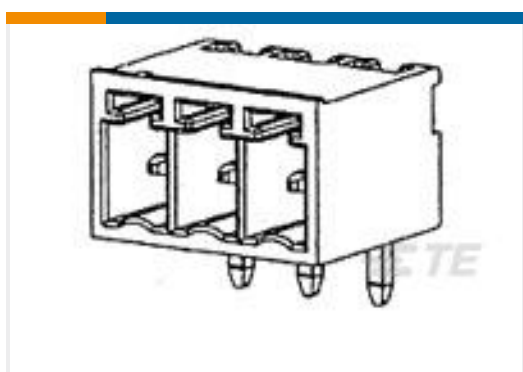
TE Part #T4171210005-001
M12 Panel Mount Wire



TE Part #T4161110008-004
M12 A-CODE MALE STRT SINGLE ENDED CABLE



TE Part #T4161310008-004
M12 A-CODE FEMALE STRT SINGLE END CABLE



TE Part #284513-2
2 POS TERMI-BLOK HDR 900 POL.



Documents

Product Drawings

[RPC-M12-FS-5CON-PVC-3.0SH](#)

English

CAD Files

[3D PDF](#)

3D

Customer View Model

[ENG_CVM_CVM_T4161310005-004_A.2d_dxf.zip](#)

English

Customer View Model

[ENG_CVM_CVM_T4161310005-004_A.3d_igs.zip](#)

English

Customer View Model

[ENG_CVM_CVM_T4161310005-004_A.3d_stp.zip](#)

English

By downloading the CAD file I accept and agree to the [Terms and Conditions](#) of use.

Datasheets & Catalog Pages

[M8 / M12 Connector System Catalog](#)

English

Product Specifications

[Application Specification](#)

English