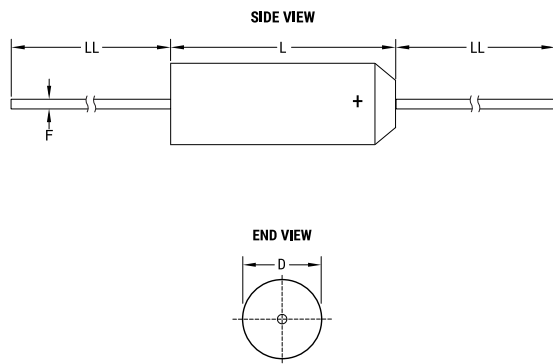


T322, Tantalum, MnO2 Tantalum, Commercial Grade, 4.7 uF, 10%, 20 VDC, 4.5 Ohms



Dimensions	
D	2.79mm MAX
L	7.37mm MAX
LL	25.4mm MIN
F	0.51mm +/-0.05mm

Packaging Specifications	
Packaging:	Bulk, Bag
Packaging Quantity:	250

General Information	
Series:	T322
Dielectric:	MnO2 Tantalum
Style:	Axial
Description:	Axial, Solid Tantalum, Molded, Military (Non-ER), Low ESR
Features:	Low ESR
RoHS:	Yes
Termination:	Tin
Lead:	Wire Leads
AEC-Q200:	No
Notes:	Uninsulated.
Shelf Life:	156 Weeks

Specifications	
Capacitance:	4.7 uF
Capacitance Tolerance:	10%
Voltage DC:	20 VDC (85C), 13.34 VDC (125C Surge), 0.2 VDC (125C Reverse)
Temperature Range:	-55/+125°C
Rated Temperature:	85°C
Dissipation Factor:	4%
Resistance:	4.5 Ohms (100kHz)
Leakage Current:	0.8 uA (25°C)