

Buck- Boost Transformers



The No-Frills Low Voltage Lighting Alternative

Buck-Boost Transformers offer a no-frills approach to low voltage lighting. (See Chart Below) A typical Buck-Boost application is 120 volts in and 12 volts out for low voltage lighting or control circuitry. In most applications, this low voltage isolation transformer is field connected as an autotransformer. For more information on Buck-Boost Transformers, refer to the next section in this catalog.

GROUP VI

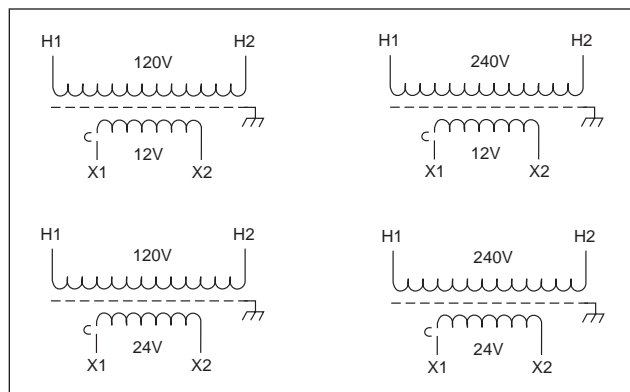
120 x 240 VOLT INPUT – 12/24 VOLT OUTPUT – 1Ø, 60 Hz



CATALOG NUMBER	INSULATING TRANSFORMER RATING	SECONDARY MAXIMUM Current Output		APPROX. DIMENSIONS Inches (Cm.)			APPROX. NET WEIGHT Lbs. (Kg.)
		12V	24V	HEIGHT	WIDTH	DEPTH	
T-1-81047	0.05 KVA	4.16	2.08	6.38 (16.2)	3.19 (8.1)	3.00 (7.6)	4 (1.8)
T-1-81048	0.10 KVA	8.32	4.16	6.62 (16.8)	3.75 (9.5)	3.62 (9.2)	5 (2.3)
T-1-81049	0.15 KVA	12.52	6.25	7.12 (18.1)	3.75 (9.5)	3.62 (9.2)	7 (3.2)
T-1-81050	0.25 KVA	20.80	10.40	8.68 (22.0)	4.08 (10.4)	3.88 (9.9)	10 (4.5)
T-1-81051	0.50 KVA	41.60	20.80	9.06 (23.0)	4.37 (11.1)	4.20 (10.7)	15 (6.8)
T-1-81052	0.75 KVA	62.50	31.25	9.68 (24.6)	4.75 (12.1)	4.51 (11.5)	19 (8.6)
T-1-11683	1.00 KVA	83.20	41.60	10.50 (26.7)	5.50 (14.0)	5.13 (13.0)	24 (10.9)
T-1-11684	1.50 KVA	125.00	62.50	11.62 (29.5)	5.50 (14.0)	5.13 (13.0)	30 (13.6)
T-1-11685	2.00 KVA	166.00	83.20	13.00 (33.0)	5.50 (14.0)	5.13 (13.0)	38 (17.2)
T-1-11686	3.00 KVA	250.00	125.00	11.50 (29.2)	10.31 (26.2)	7.13 (18.1)	55 (24.9)
T-1-11687	5.00 KVA	416.00	208.00	14.38 (36.5)	10.31 (26.2)	7.13 (18.1)	75 (34.0)
T-2-11688	7.50 KVA	625.00	312.50	21.19 (53.8)	13.50 (34.3)	10.84 (27.5)	125 (56.7)
T-2-11689	10.00 KVA	833.00	416.60	21.19 (53.8)	13.50 (34.3)	10.84 (27.5)	160 (72.6)

Electrical Connection Diagrams

GROUP V



GROUP VI

