

SYSPEND ALUMINUM HMI ENCLOSURES, TYPE 12



INDUSTRY STANDARDS

UL 508A Listed; Type 12; File No. E61997
cUL Listed per CSA C22.2 No. 94; Type 12; File No. E61997

NEMA/EEMAC Type 12
IEC 60529; IP 65

APPLICATION

The SYSPEND Aluminum HMI enclosure is designed to accommodate modern touch-screen HMI devices and can be pendant- or pedestal-mounted. Extruded aluminum sides provide enhanced usability with internal mounting channels. The single-walled aluminum reduces the overall weight of the enclosure, eliminating strain during installation and use. The integrated side handles provide enhanced ergonomics. The SYSPEND Aluminum HMI enclosure's aesthetics are clean and modern and the life of the HMI system is extended due to increased heat dissipation.

FEATURES

- **Extruded, single-walled aluminum construction** for enhanced ergonomics and heat dissipation
- **Anodized and RAL 7035 sections**
- **Two body style options** for a variety of configurations
- **Integrated side handles** for clean appearance and ease of operation
- **Integrated mounting extrusions** for installing components or din rail directly inside the enclosure using brackets or spring nuts
- **Anodized aluminum front plate** installed into enclosure
- **Pre-cut mounting holes** compatible with support arm systems; pedestal mounting when enclosure is inverted

SPECIFICATIONS

- Extruded channels inside enclosure
- Seamless integrated handles
- Body is available hinged or solid with hinged back-plate
- Single-walled aluminum body
- Oil-resistant gasket attached with oil-resistant adhesive

FINISH

Enclosure vertical components are clear anodized aluminum; horizontal components are painted RAL 7035 light gray aluminum. Rear covers and front plates have a clear anodized aluminum finish.

BULLETIN: VMA

Standard Product Hinged Back Plate

| Catalog Number | AxBxC mm/in. | H mm/in. | W mm/in. | D mm/in. | X mm/in. | Y mm/in. | Z mm/in. | Weight (kg) | Weight (lbs.) | Compatibility | Replacement Front Plate |
|----------------|----------------------|----------|----------|----------|----------|----------|----------|-------------|---------------|--|-------------------------|
| SY222266A | 225 x 225 x 66 | 336 | 350 | 80 | 225 | 225 | 66 | 5.27 | 11.62 | COMPACT Series 2 Flange Coupling, SYSPEND 180-MAX* | SY2222AFP |
| | 8.86 x 8.86 x 2.60 | 13.23 | 13.78 | 3.15 | 8.86 | 8.86 | 2.60 | | | | |
| SY273066A | 275 x 300 x 66 | 386 | 425 | 80 | 275 | 300 | 66 | 6.84 | 15.08 | COMPACT Series 2 Flange Coupling, SYSPEND 180-MAX* | SY2730AFP |
| | 10.83 x 11.81 x 2.60 | 15.20 | 16.73 | 3.15 | 10.83 | 11.81 | 2.60 | | | | |
| SY322266A | 325 x 225 x 66 | 436 | 350 | 80 | 325 | 225 | 66 | 6.30 | 13.89 | COMPACT Series 2 Flange Coupling, SYSPEND 180-MAX* | SY3222AFP |
| | 12.80 x 8.86 x 2.60 | 17.17 | 13.78 | 3.15 | 12.80 | 8.86 | 2.60 | | | | |
| SY323518A | 325 x 350 x 186 | 436 | 475 | 200 | 325 | 350 | 186 | 13.27 | 29.26 | Compact Series 2, SYSPEND 180-MAX, SYSPEND 281-MAX | SY3235AFP |
| | 12.80 x 13.78 x 7.32 | 17.17 | 18.7 | 7.87 | 12.80 | 13.78 | 7.32 | | | | |
| SY353718A | 350 x 375 x 186 | 461 | 500 | 200 | 350 | 375 | 186 | 14.29 | 31.50 | Compact Series 2, SYSPEND 180-MAX, SYSPEND 281-MAX | SY3537AFP |
| | 13.78 x 14.76 x 7.32 | 18.15 | 19.69 | 7.87 | 13.78 | 14.76 | 7.32 | | | | |
| SY405018A | 400 x 500 x 186 | 511 | 625 | 200 | 400 | 500 | 186 | 18.03 | 39.75 | Compact Series 2, SYSPEND 180-MAX, SYSPEND 281-MAX | SY4050AFP |
| | 15.75 x 19.69 x 7.32 | 20.12 | 24.61 | 7.87 | 15.75 | 19.69 | 7.32 | | | | |
| SY455218A | 450 x 525 x 186 | 561 | 650 | 200 | 450 | 525 | 186 | 19.78 | 43.61 | Compact Series 2, SYSPEND 180-MAX, SYSPEND 281-MAX | SY4552AFP |
| | 17.72 x 20.67 x 7.32 | 22.09 | 25.59 | 7.87 | 17.72 | 20.67 | 7.32 | | | | |
| SY605018A | 600 x 500 x 186 | 711 | 625 | 200 | 600 | 500 | 186 | 22.76 | 50.18 | Compact Series 4, System 80 ** | SY6050AFP |
| | 23.62 x 19.69 x 7.32 | 27.99 | 24.61 | 7.87 | 23.62 | 19.69 | 7.32 | | | | |
| SY505018A | 500 x 500 x 186 | 611 | 625 | 200 | 500 | 500 | 186 | 20.39 | 44.95 | Compact Series 4, System 80 ** | SY5050AFP |
| | 19.69 x 19.69 x 7.32 | 24.06 | 24.61 | 7.87 | 19.69 | 19.69 | 7.32 | | | | |

AxBxC dimensions refer to usable space (height x width x depth)

All enclosures come with front plates installed.

* Can be used with an adapter to accommodate the SYSPEND 180-MAX.

** Includes strengthening for pendant arm system due to dimensions.

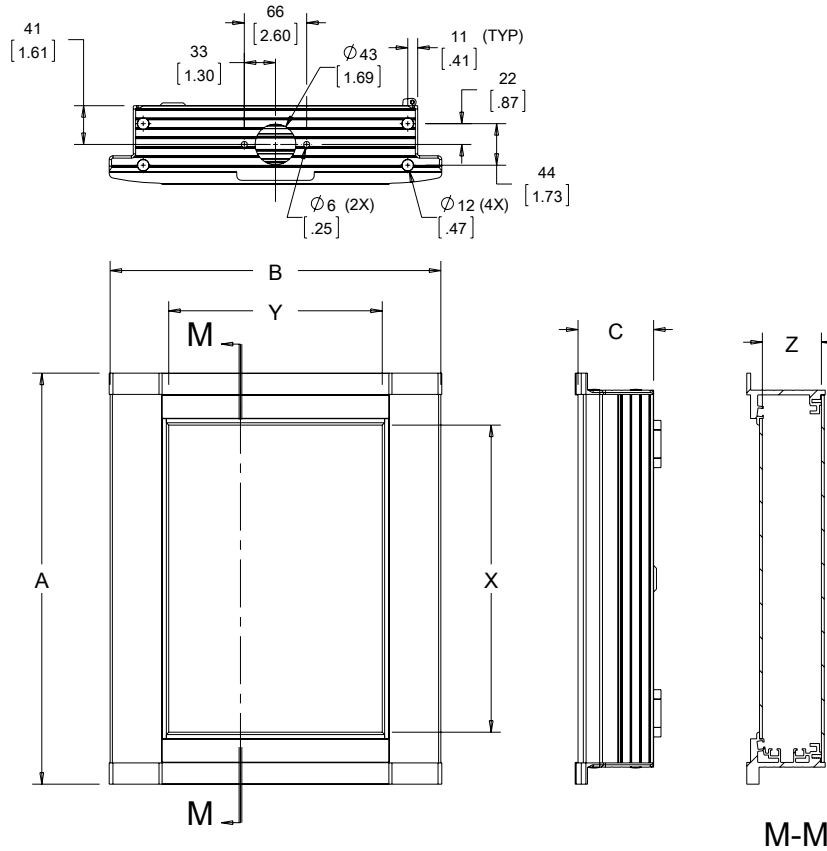
Standard Product **Hinged Door**

| Catalog Number | AxBxC mm/in. | H mm/in. | W mm/in. | D mm/in. | X mm/in. | Y mm/in. | Z mm/in. | Weight (kg) | Weight (lbs.) | Compatibility | Replacement Front Plate |
|----------------|-----------------------|----------|----------|----------|----------|----------|----------|-------------|---------------|--|-------------------------|
| SY252516A | 250 x 250 x 166 | 361 | 375 | 180 | 250 | 250 | 166 | 9.63 | 21.23 | Compact Series 2, SYSPEND 180-MAX, SYSPEND 281-MAX | SY2525AFP |
| | 9.84 x 9.84 x 6.54 | 14.21 | 14.76 | 7.09 | 9.84 | 9.84 | 6.54 | | | | |
| SY323716A | 325 x 375 x 166 | 436 | 500 | 180 | 325 | 375 | 166 | 13.52 | 29.81 | Compact Series 2, SYSPEND 180-MAX, SYSPEND 281-MAX | SY3237AFP |
| | 12.80 x 14.76 x 6.54 | 17.17 | 19.69 | 7.09 | 12.80 | 14.76 | 6.54 | | | | |
| SY374216A | 375 x 425 x 166 | 486 | 550 | 180 | 375 | 425 | 166 | 15.61 | 34.41 | Compact Series 2, SYSPEND 180-MAX, SYSPEND 281-MAX | SY3742AFP |
| | 14.76 x 16.73 x 6.54 | 19.13 | 21.65 | 7.09 | 14.76 | 16.73 | 6.54 | | | | |
| SY303016A | 300 x 300 x 166 | 411 | 425 | 180 | 300 | 300 | 166 | 11.50 | 25.35 | Compact Series 2, SYSPEND 180-MAX, SYSPEND 281-MAX | SY3030AFP |
| | 11.81 x 11.81 x 6.54 | 16.18 | 16.73 | 7.09 | 11.81 | 11.81 | 6.54 | | | | |
| SY322516A | 325 x 250 x 166 | 436 | 375 | 180 | 325 | 250 | 166 | 10.90 | 24.03 | Compact Series 2, SYSPEND 180-MAX, SYSPEND 281-MAX | SY3225AFP |
| | 12.80 x 9.84 x 6.54 | 17.17 | 14.76 | 7.09 | 12.80 | 9.84 | 6.54 | | | | |
| SY353516A | 350 x 350 x 166 | 461 | 475 | 180 | 350 | 350 | 166 | 13.47 | 29.70 | Compact Series 2, SYSPEND 180-MAX, SYSPEND 281-MAX | SY3535AFP |
| | 13.78 x 13.78 x 6.54 | 18.15 | 18.70 | 7.09 | 13.78 | 13.78 | 6.54 | | | | |
| SY354516A | 350 x 450 x 166 | 461 | 575 | 180 | 350 | 450 | 166 | 15.62 | 34.44 | Compact Series 2, SYSPEND 180-MAX, SYSPEND 281-MAX | SY3545AFP |
| | 13.78 x 17.72 x 6.54 | 18.15 | 22.64 | 7.09 | 13.78 | 17.72 | 6.54 | | | | |
| SY404016A | 400 x 400 x 166 | 511 | 525 | 180 | 400 | 400 | 166 | 15.57 | 34.33 | Compact Series 2, SYSPEND 180-MAX, SYSPEND 281-MAX | SY4040AFP |
| | 15.75 x 15.75 x 6.54 | 20.12 | 20.67 | 7.09 | 15.75 | 15.75 | 6.54 | | | | |
| SY454716A | 450 x 475 x 166 | 561 | 600 | 180 | 450 | 475 | 166 | 18.36 | 40.48 | Compact Series 2, SYSPEND 180-MAX, SYSPEND 281-MAX | SY4547AFP |
| | 17.72 x 18.70 x 6.54 | 22.09 | 23.62 | 7.09 | 17.72 | 18.70 | 6.54 | | | | |
| SY505216A | 500 x 525 x 166 | 611 | 650 | 180 | 500 | 525 | 166 | 20.71 | 45.66 | Compact Series 2, SYSPEND 180-MAX, SYSPEND 281-MAX | SY5052AFP |
| | 19.69 x 20.67 x 6.54 | 24.06 | 25.59 | 7.09 | 19.69 | 20.67 | 6.54 | | | | |
| SY353726A | 350 x 375 x 266 | 461 | 500 | 280 | 350 | 375 | 266 | 18.48 | 40.74 | Compact Series 2, SYSPEND 180-MAX, SYSPEND 281-MAX | SY3537AFP |
| | 13.78 x 14.76 x 10.47 | 18.15 | 19.69 | 11.02 | 13.78 | 14.76 | 10.47 | | | | |
| SY405026A | 400 x 500 x 266 | 511 | 625 | 280 | 400 | 500 | 266 | 23.19 | 51.13 | Compact Series 2, SYSPEND 180-MAX, SYSPEND 281-MAX | SY4050AFP |
| | 15.75 x 19.69 x 10.47 | 20.12 | 24.61 | 11.02 | 15.75 | 19.69 | 10.47 | | | | |
| SY605026A | 600 x 500 x 266 | 711 | 625 | 280 | 600 | 500 | 266 | 28.74 | 63.36 | Compact Series 4, System 80 ** | SY6050AFP |
| | 23.62 x 19.69 x 10.47 | 27.99 | 24.61 | 11.02 | 23.62 | 19.69 | 10.47 | | | | |
| SY505026A | 500 x 500 x 266 | 611 | 625 | 280 | 500 | 500 | 266 | 25.97 | 57.25 | Compact Series 4, System 80 ** | SY5050AFP |
| | 19.69 x 19.69 x 10.47 | 24.06 | 24.61 | 11.02 | 19.69 | 19.69 | 10.47 | | | | |

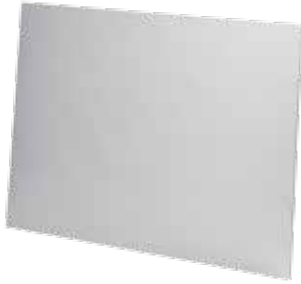
AxBxC dimensions refer to usable space (height x width x depth)

All enclosures come with front plates installed.

** Includes strengthening for pendant arm system due to dimensions.

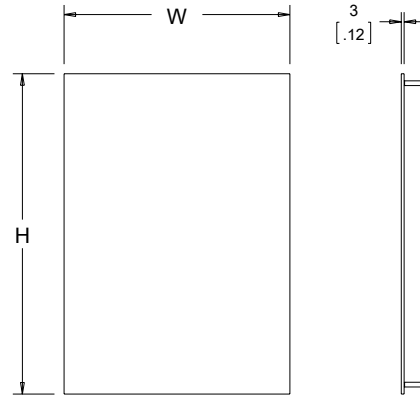


89143151

REPLACEMENT FRONT PLATE


Front plates are 14 gauge aluminum with clear anodized brushed finish. Mounting hardware included.

BULLETIN: VMY



89143155

Standard Product

| Catalog Number | Fits Enclosure H x W mm | H mm/in. | W mm/in. | Weight (kg) | Weight (lbs.) |
|----------------|-------------------------|--------------|--------------|-------------|---------------|
| SY2222AFP | 225 x 225 | 239 9.041 | 239 9.41 | .59 | 1.30 |
| SY2730AFP | 275 x 300 | 389 11.38 | 314 12.36 | .86 | 1.90 |
| SY3222AFP | 325 x 225 | 339 13.35 | 239 9.41 | .78 | 1.72 |
| SY3235AFP | 325 x 350 | 339 13.35 | 364 14.33 | 1.12 | 2.47 |
| SY3537AFP | 350 x 375 | 364 14.33 | 389 15.32 | 1.27 | 2.80 |
| SY4050AFP | 400 x 500 | 414 16.30 | 514 20.24 | 1.85 | 4.08 |
| SY4552AFP | 450 x 525 | 464 18.27 | 539 21.22 | 2.15 | 4.74 |
| SY6050AFP | 600 x 500 | 614 24.17 | 514 20.24 | 2.68 | 5.91 |
| SY5050AFP | 500 x 500 | 514 20.24 | 514 20.24 | 2.26 | 4.99 |
| SY2525AFP | 250 x 250 | 264 10.39 | 264 10.39 | .69 | 1.52 |
| SY3237AFP | 325 x 375 | 339 13.35 | 389 15.32 | 1.19 | 2.63 |
| SY3742AFP | 375 x 425 | 389 15.32 | 439 17.28 | 1.51 | 3.32 |
| SY3030AFP | 300 x 300 | 314 12.36 | 314 12.36 | .92 | 2.04 |
| SY3225AFP | 325 x 250 | 339 13.35 | 264 10.39 | .85 | 1.87 |
| SY3535AFP | 350 x 350 | 364 14.33 | 364 14.33 | 1.20 | 2.64 |
| SY3545AFP | 350 x 450 | 364 14.33 | 464 18.27 | 1.49 | 3.29 |
| SY4040AFP | 400 x 400 | 414 16.30 | 414 16.30 | 1.51 | 3.34 |
| SY4547AFP | 450 x 475 | 464 18.27 | 489 19.25 | 1.96 | 4.33 |
| SY5052AFP | 500 x 525 | 514 20.24 | 239 21.22 | 2.37 | 5.22 |

STEEL MOUNTING BRACKETS



Steel mounting brackets for installing components or DIN rails directly inside the enclosure.

BULLETIN: VMY

| Catalog Number | Description |
|----------------|--------------------------------|
| SYMBRK | Aluminum HMI Mounting Brackets |

STEEL SPRING NUTS



No drilling required when using steel spring nuts to mount into enclosure. Package includes (10) M5 spring nuts.

BULLETIN: VMY

| Catalog Number | Description |
|----------------|--------------------------|
| SYSPN | Aluminum HMI Spring Nuts |

REPLACEMENT GROUNDING KIT



Grounding kit includes spring nuts for installation into mounting extrusions.

BULLETIN: VMY

| Catalog Number | Description |
|----------------|---------------------------|
| SYAGK | Replacement Grounding Kit |

REPLACEMENT KEY



Metallic 3-mm double-bit key.

BULLETIN: VMY

Standard Product

| Catalog Number | Description |
|----------------|-----------------|
| SYARK | Replacement Key |

USB INTERFACE



The interface allows access to programmable components installed inside the enclosure without opening the door. It can also be used as a keyboard or mouse connection

BULLETIN: CC3

| Catalog Number | Description |
|----------------|---------------|
| CCUSB | USB Data Port |