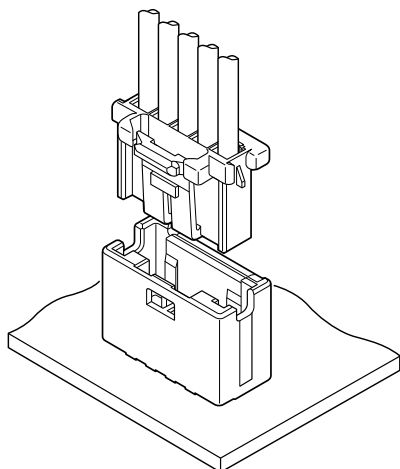


XNI CONNECTOR

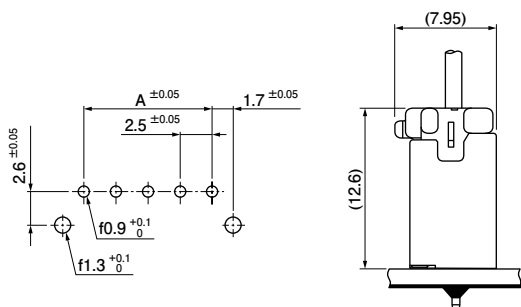
2.5 mm pitch/Disconnectable Crimp style connectors



This connector is 2.5 mm pitch wire-to-board connector that has a mechanism to prevent an incomplete mating by utilizing the inertial force when mating connector. In all circuits of connector, controlled key for preventing mismatching of mating is added, and two type connectors can be used in the same model. (See table below.)

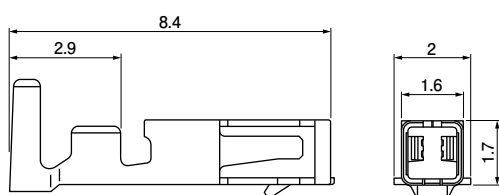
- Inertial lock structure
- Finger-friendly design
- Secure locking structure

PC board layout (viewed from component side) and Assembly layout



Note: 1. Tolerances are non-cumulative: ± 0.05 mm for all centers.
2. Hole dimensions differ according to the type of PC board and piercing method.
The dimensions above should serve as a guideline.
Contact JST for details.

Contact



Specifications

- Current rating: 3 A AC, DC (AWG#22)
- Voltage rating: 250 V AC, DC
- Temperature range: -25°C to +85°C
(including temperature rise in applying electrical current)
- Contact resistance: Initial value/ 10 mΩ max.
After environmental testing/ 20 mΩ max.
- Insulation resistance: 1,000 MΩ min.
- Withstanding voltage: 1,000 VAC/minute
- Applicable wire: AWG #30 to #22
- * Compliant with RoHS.
- * Refer to "General Instruction and Notice when using Terminals and Connectors" at the end of this catalog.
- * Contact JST for details.

Standards

- Recognized E 60389
- Certified LR20812
- J50148340

List of combinations

| Resin color (Header/Housing) | Natural | Red |
|------------------------------|--------------------------|--------------------------|
| Key pattern | Polarizing key pattern A | Polarizing key pattern B |
| | | |
| Housing Model No. | XNIRP-()V-A-S | XNIRP-()V-B-R |
| Header Model No. | B()B-XNI S K-A-1 | B()B-XNI R K-B-2 |

| Model No. | Applicable wire | | Insulation O.D. (mm) | Q'ty/ reel |
|----------------|-----------------|----------|----------------------|------------|
| | mm ² | AWG# | | |
| SXNI-001T-P0.6 | 0.13 to 0.33 | 26 to 22 | 1.0 to 1.7 | 7,000 |
| SXNI-003T-P0.6 | 0.05 to 0.08 | 30 to 28 | 0.65 to 0.9 | 10,000 |

Material and Finish

Phosphor bronze, tin-plated (reflow treatment)

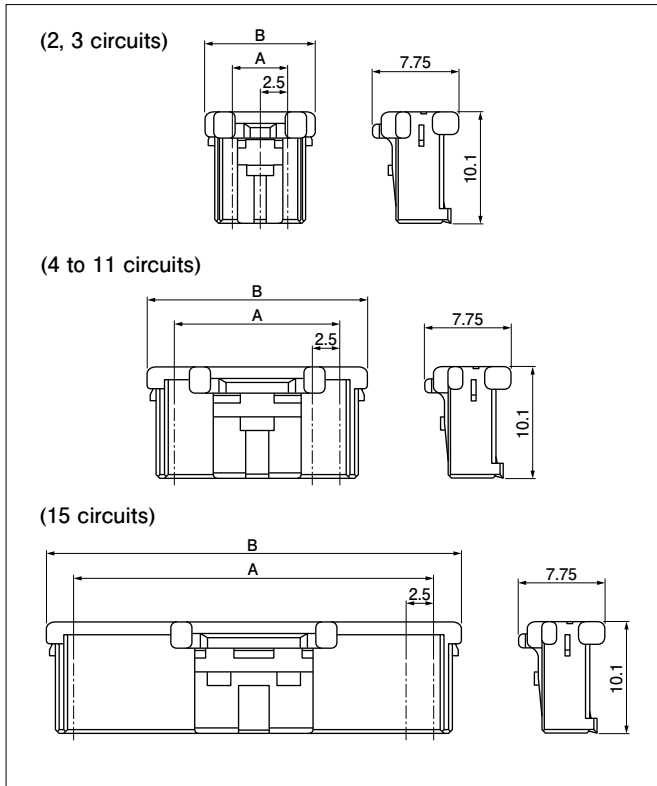
RoHS compliance

| Contact | Crimping machine | Applicator | | |
|----------------|------------------|------------------|----------------|----------------------------|
| | | Crimp applicator | Dies | Crimp applicator with dies |
| SXNI-001T-P0.6 | AP-K2N | MKS-L | MK/SXNI-001-06 | APLMK SXNI001-06 |
| SXNI-003T-P0.6 | | | MK/SXNI-003-06 | APLMK SXNI003-06 |

Note: Contact JST for fully automatic crimping applicator.

XNI CONNECTOR

Housing



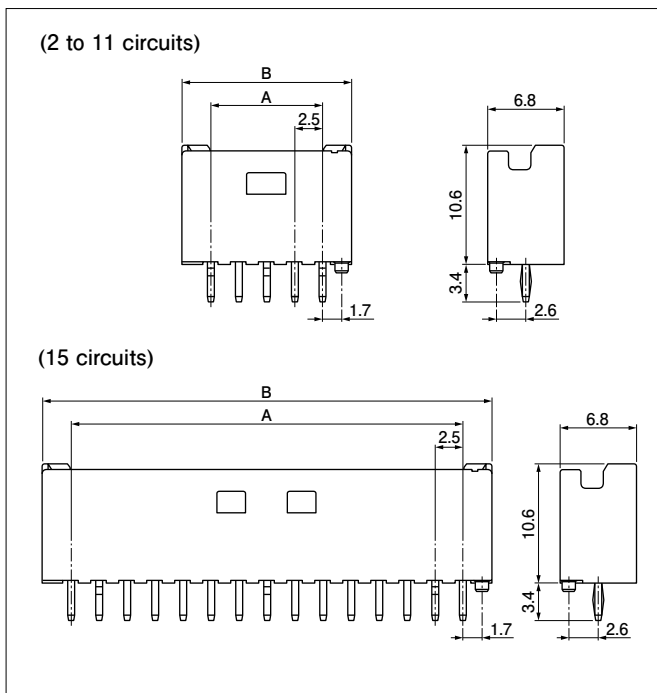
| No. of circuits | Model No. | Dimensions (mm) | | Q'ty/bag |
|-----------------|---------------|-----------------|------|----------|
| | | A | B | |
| 2 | XNIRP-02V-A-S | 2.5 | 7.5 | 1,000 |
| 3 | XNIRP-03V-A-S | 5.0 | 10.0 | 1,000 |
| 4 | XNIRP-04V-A-S | 7.5 | 12.5 | 1,000 |
| 5 | XNIRP-05V-A-S | 10.0 | 15.0 | 1,000 |
| 6 | XNIRP-06V-A-S | 12.5 | 17.5 | 1,000 |
| 7 | XNIRP-07V-A-S | 15.0 | 20.0 | 1,000 |
| 8 | XNIRP-08V-A-S | 17.5 | 22.5 | 1,000 |
| 9 | XNIRP-09V-A-S | 20.0 | 25.0 | 1,000 |
| 10 | XNIRP-10V-A-S | 22.5 | 27.5 | 1,000 |
| 11 | XNIRP-11V-A-S | 25.0 | 30.0 | 500 |
| 15 | XNIRP-15V-A-S | 35.0 | 40.0 | 500 |

Material

Glass-filled PBT, UL94V-0, natural (white)

RoHS compliance

Header



| No. of circuits | Model No. | Dimensions (mm) | | Q'ty/box |
|-----------------|----------------|-----------------|------|----------|
| | | A | B | |
| 2 | B02B-XNISK-A-1 | 2.5 | 7.5 | 500 |
| 3 | B03B-XNISK-A-1 | 5.0 | 10.0 | 500 |
| 4 | B04B-XNISK-A-1 | 7.5 | 12.5 | 250 |
| 5 | B05B-XNISK-A-1 | 10.0 | 15.0 | 250 |
| 6 | B06B-XNISK-A-1 | 12.5 | 17.5 | 250 |
| 7 | B07B-XNISK-A-1 | 15.0 | 20.0 | 200 |
| 8 | B08B-XNISK-A-1 | 17.5 | 22.5 | 200 |
| 9 | B09B-XNISK-A-1 | 20.0 | 25.0 | 200 |
| 10 | B10B-XNISK-A-1 | 22.5 | 27.5 | 150 |
| 11 | B11B-XNISK-A-1 | 25.0 | 30.0 | 150 |
| 15 | B15B-XNISK-A-1 | 35.0 | 40.0 | 100 |

Material and Finish

Post: Copper alloy, copper-undercoated, tin-plated (reflow treatment)
Wafer: Glass-filled PA 66, UL94V-0, natural (ivory)

RoHS compliance This product displays (LF)(SN) on a label.

Model number allocation

Contact

S XNI - 001 T - P 0.6

Form: S··Strip form

Series name

Applicable wire range: 001··AWG #26 to #22
003··AWG #30 to #28

Surface finish: T··Tin-plated (reflow treatment)

Material: P··Phosphor bronze

Terminal size

Housing

XNI RP - 02 V - A - S

Series name

Part name: Plug (Retainer mountable type)

No. of circuits: 2 to 11, 15

Flammability: V··UL94V-0

Key pattern: A··Polarizing key pattern A
B··Polarizing key pattern B

Color: S··Natural (White), R··Red

Header

B 02 B - XNI S K - A - 1

Shape of assembled product:
B··Top entry type

No. of circuits: 2 to 11, 15

Part name: Header

Series name

Color: S··Natural (Ivory), R··Red

Indication of clinch: K··Clinched

Key pattern: A··Polarizing key pattern A
B··Polarizing key pattern B

Shape: None··Without boss, 1··With boss (Circuit No. 1 side)
2··With boss (Circuit No. N side)