

8-Port Ethernet Switch

Unmanaged Industrial Ethernet Switch



EtherNet/IP

PRODUCT DESCRIPTION

The 8-port unmanaged Ethernet switch is now equipped with the features of managed Ethernet switch.

Designed to meet all communication requirements! The SX5E series of 8-port unmanaged switch supports the IGMP snooping function and QoS function, which automatically prioritizes EtherNet/IP packets. With an industrial-grade design, rugged metal housing and extreme operating temperature, this switch is suitable for industrial applications in harsh environmental conditions.

SPECIFICATIONS

Rated Input Voltage	24V DC, 24V AC
Voltage Tolerance	12-48V DC, 18-30V AC
Power Consumption	4.1W
Ethernet Standard	IEEE802.3u (10BASE-TX)/IEEE802.3i (10BASE-T) compliant
Data Transfer Speed	10Mbps/100Mbps (Auto-negotiation function)
Communication Method	All ports full/half duplex (Auto-negotiation function)
Number of Ports	8
Frame Transfer Method	Store and forward
Throughput	1.2Mpps
Address Table	2,048 entries
Buffer Size	4Mbits
EMI/EMS	<ul style="list-style-type: none">• FCC CFR47 Part 15, EN55022, CISPR22, Class A• Electrostatic discharge: ±6kV (contact), ±8kV (air) (IEC61000-4-2)• Radiation electromagnetic field: 10V/m (80MHz-2GHz), 3V/m (2GHz-2.7GHz) (IEC61000-4-3)• FTB: ±2kV (Power Port), ±1kV (Data Port) (IEC61000-4-4)• Lighting surge: ±1kV/DM, ±2kV/CM (Power Port), ±1kV (Data Port) (IEC61000-4-5)• RF conducted immunity: 10V (150kHz-80MHz) (IEC61000-4-6)
Vibration Resistance	5Hz to 9Hz: 3.5mm, 9Hz to 150Hz: 2.0G (IEC60068-2-6)
Shock Resistance	150m/s ² 11ms (IEC60068-2-27)
Operating Temperature	-40 to +75°C (no freezing)
Operating Humidity	5 to 95% RH (no condensation)
Storage Temperature	-40 to +85°C (no freezing)
Mounting	DIN rail/panel mounting (*1)
Degree of Protection	IP30
Weight (approx.)	250g

*1: Optional accessory is necessary for panel mounting.


KEY FEATURES

- 8-Port 10/100Mbps Fast Ethernet
- Supports QoS Function
- Supports IGMP Snooping Function
- Extreme Operating Temperature Range: -40 to +75 °C
- Redundant Power Input Design
- Broadcast Storm Protection
- Rugged Metal Housing
- IP30 Protection
- UL Class I Div 2 Certified (July 2021)






SX5E Ethernet Switch

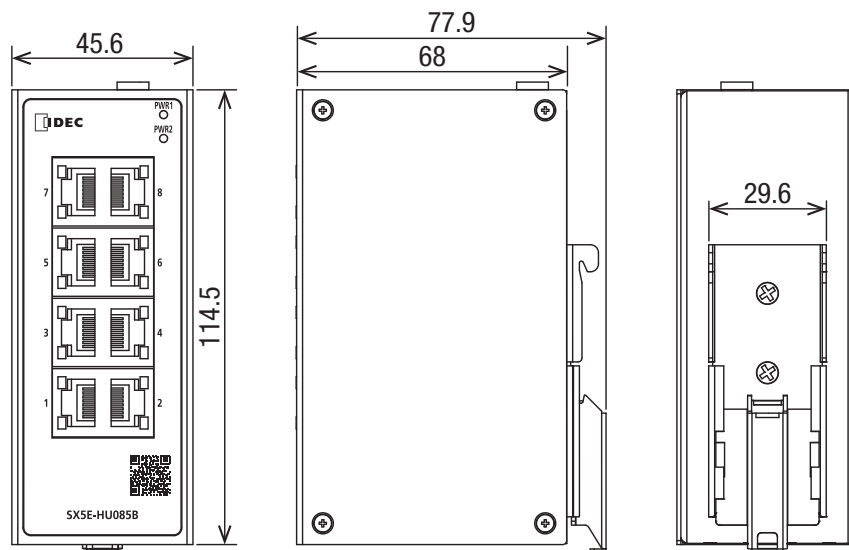
PART NUMBERS

Model	Part Number
8 port Ethernet Switch 	SX5E-HU085B

ACCESSORIES

Model	Part Number	Package Quantity
RJ45 connector cover (IP30) 	SX9Z-CAP2PN02	2
Direct mounting bracket 	SX9Z-1A01	1
Power Supply Terminal Block 	SX9Z-PMTD04PN02	2

DIMENSIONS (mm)



ALSO AVAILABLE IN 5-PORT STANDARD MODEL



SX5E 5-PORT UNMANAGED INDUSTRIAL ETHERNET SWITCH

Fast with compact industrial-grade design and rugged metal housing.



IDEC Corporation • 1175 Elko Drive • Sunnyvale, CA 94089 • 800-262-IDEC (4332) • Fax: 408-745-5258 • www.IDEC.com/usa

©2021 IDEC Corporation. All Rights Reserved. SX5E-0 00/00 00K FPO