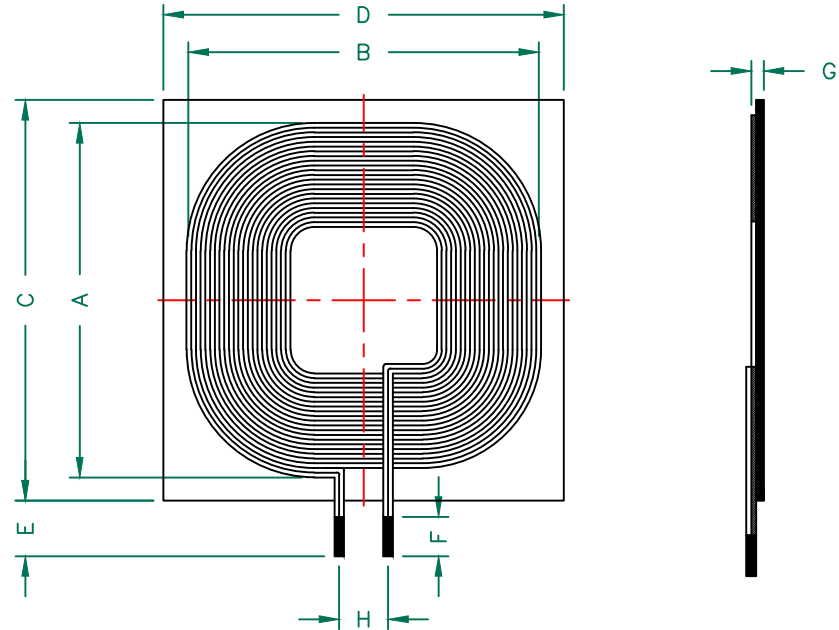


PHYSICAL DIMENSIONS:

A	37.50	±	1.00
B	37.50	±	1.00
C	41.00	±	1.00
D	41.00	±	1.00
E	15.00		Min.
F	5.00	±	2.00
G	0.70		Max.
H	5.00		Ref.



ELECTRICAL SPECIFICATION @ 25°C

	Min	Nom	Max
INDUCTANCE (uH) L @ 100KHz/1V ±10%	11.25	12.5	13.75
DCR (mΩ)			240
Q	20		

NOTES:

- OPERATION TEMPERATURE RANGE:
-40°C~+85°C (INCLUDING SELF-HEATING).
- G IS MEASURED AFTER REMOVING PAPER LINER OF ADHESIVE.



UNCONTROLLED DOCUMENT

DIMENSIONS ARE IN mm.				This print is the property of Laird Tech. and is loaned in confidence subject to return upon request and with the understanding that no copies shall be made without the written consent of Laird Tech. All rights to design or invention are reserved.		Laird	
				PROJECT/PART NUMBER:	REV	PART TYPE:	DRAWN BY:
				SWC4242KB120-100	A		QIU
				DATE:	SCALE:	MATERIAL:	
				07/30/14	1 : 1		
A	ORIGINAL DRAFT	07/30/14	QIU	CAD #	TOOL #		
REV	DESCRIPTION	DATE	INT	SWC4242KB120-100-A			