

XLR Socket

3 Way Black

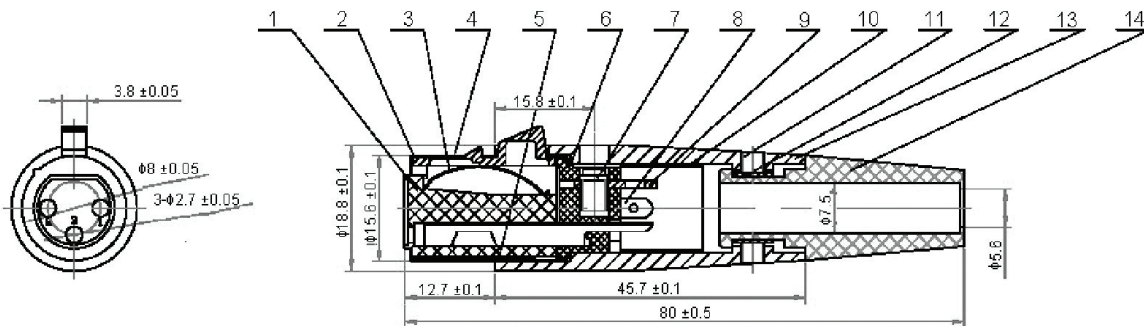
multicomp PRO



Specifications:

Connector Type	: XLR
No. of Contacts	: 3
Gender	: Receptacle
Connector Colour	: Black
Contact Termination	: Solder
Connector Mounting	: Cable

Diagram



Dimensions : Millimetres

Specification Table

Item	Description	Material	Plating
1	Insulator	PBT	-
2	Base Shell	H62	Nickel
3	Spring	Stainless Steel	-
4	Push Button	ZZnAl4-1	Black Nickel
5	Spring	Phosphor Bronze	-
6	Back Cover	PBT	-
7	Bolt	A3	Black Nickel
8	Female Pin	Phosphor Bronze	Silver
9	Terminal	H62	
10	Plastic Cover	PP	-
11	Wire-clamp Screw	A3	-
12	Wire-clamp Sheet		Black Nickel
13	Die-cast Shell	ZZnAl4-1	Black
14	Boot	PVC	-

Part Number Table

Description	Part Number
XLR Socket - 3 Way, Left Hand Thread, Black	SVP556H-BK

Important Notice : This data sheet and its contents (the "Information") belong to the members of the AVNET group of companies (the "Group") or are licensed to it. No licence is granted for the use of it other than for information purposes in connection with the products to which it relates. No licence of any intellectual property rights is granted. The Information is subject to change without notice and replaces all data sheets previously supplied. The Information supplied is believed to be accurate but the Group assumes no responsibility for its accuracy or completeness, any error in or omission from it or for any use made of it. Users of this data sheet should check for themselves the Information and the suitability of the products for their purpose and not make any assumptions based on information included or omitted. Liability for loss or damage resulting from any reliance on the Information or use of it (including liability resulting from negligence or where the Group was aware of the possibility of such loss or damage arising) is excluded. This will not operate to limit or restrict the Group's liability for death or personal injury resulting from its negligence. Multicomp Pro is the registered trademark of Premier Farnell Limited 2019.

Newark.com/multicomp-pro
Farnell.com/multicomp-pro
Element14.com/multicomp-pro

multicomp PRO