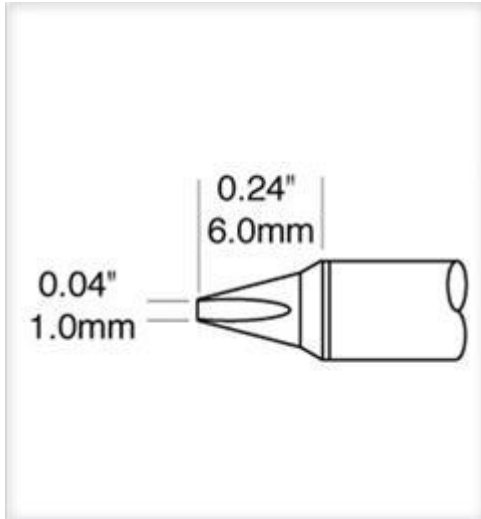




**STTC-125P**

**STTC Soldering Cartridge, Chisel**



Chisel 30°

P = Optimised geometry for best

thermal performance

1.0mm x 6.5mm (.04" x .25")

**Features and Benefits:**

STTC Cartridges provide a wide range of options for through-hole and SMD Rework. For use with the MX-500 and MX-5000 & MX-5200 Systems and with the MX-RM3E and MX-H1-AV Hand-pieces. 700 Series for most standard applications