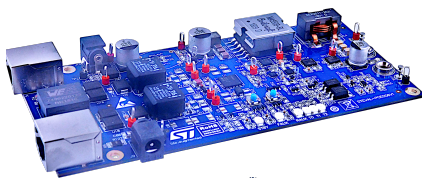


High power PoE PD / 3V3 up to 20 A active clamp forward evaluation board



Features

- Features for PM8805
 - System in package integrating a double active bridge, a hot-swap MOSFET and a PoE-PD
 - Supports legacy high power, 4-pair applications
 - 100 V N-ch MOSFETs with 0.2 Ω total path resistance for each active bridge
 - Identifies which kind of PSE (standard or legacy) it is connected to and provides successful IEEE802.3 af / at / bt classification indication as a combination of the T0, T1 and T2 signals (open drain)
 - Smart operation mode selection through the STBY, FAUX and RAUX control signals
 - QFN 56 8x8mm package with 43 pins and 6 exposed pads
- Features for PM8804
 - PWM peak current mode controller
 - Input operating voltage up to 75 V
 - Internal high voltage start up regulator with 20 mA capability
 - Programmable fixed frequency up to 1 Mhz
 - Soft startup with settable time
 - Soft turn off (optionally disabled)
 - Dual 1A_{PK}, low side complementary gate drivers
 - GATE2 can be turned off for reduced consumption
 - 80% maximum duty cycle with internal slope compensation
 - QFN 16 3x3mm package with exposed pad

Product summary	
High power PoE PD, 3 V up to 20 A active clamp forward evaluation board	STEVAL-POE006V1
PWM peak current mode controller for PoE and telecom systems	PM8804
IEEE802.3bt PoE-PD interface with integrated dual-active bridge	PM8805

Description

This STEVAL-POE006V1 evaluation board lets you evaluate a PD interface compliant with the new IEEE802.3bt standard based on the [PM8805](#) IEEE 802.3bt PoE-PD interface and a DC-DC forward active clamp converter based on the [PM8804](#) peak current mode controller.

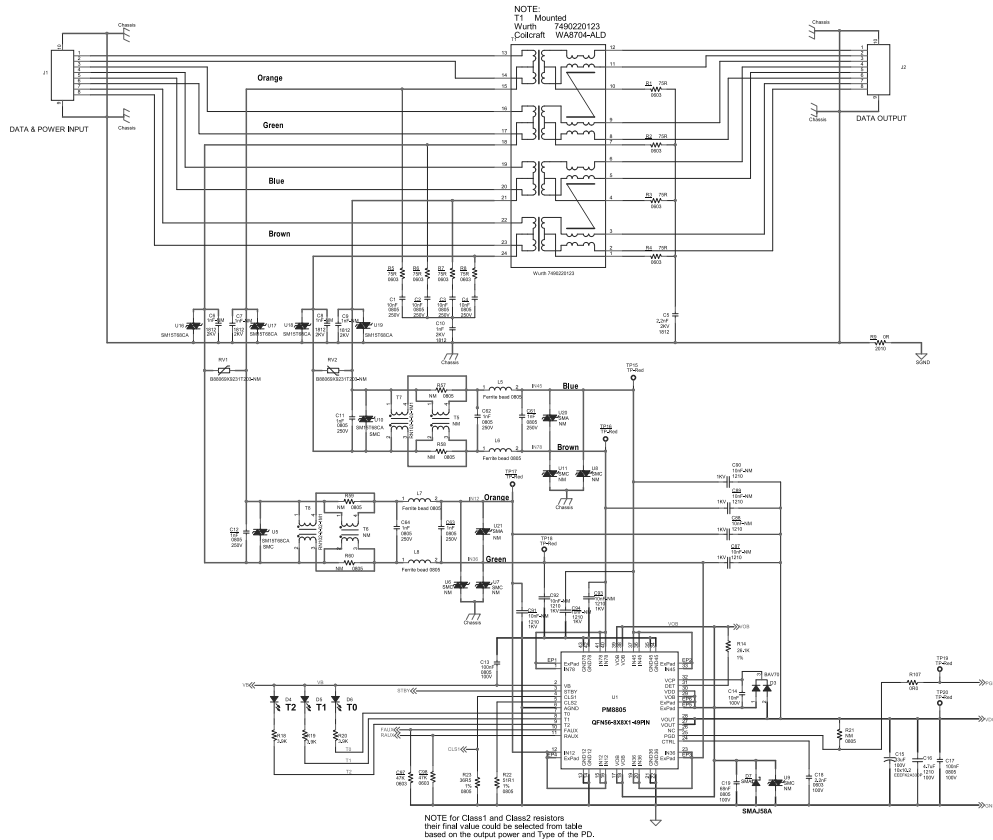
The [PM8805](#) is a highly integrated device embedding two active bridges and an IEEE802.3bt compliant Powered Device (PD) interface suitable for any medium to high power, 2P or 4P, high efficiency PoE or PoE+ application.

The [PM8804](#) PWM controller integrates all the circuitry required to design a smart and efficient 48 V converter.

It features a programmable oscillator for the switching frequency, adjustable slope compensation, dual complementary low-side drivers with programmable dead time, programmable soft start, soft turn off, and a programmable current sense blanking time. The device is designed for high efficiency conversion across wide load ranges.

1 Schematic diagrams

Figure 1. STEVAL-POE006V1 circuit schematic (1 of 3)



PD Requested Class	Number of PSE class events	Assigned Class	Power Available at the PD (W)	Outputs T0	T1
any	0	0	13.0 W	1	1
0	1	0	13.0 W	1	1
1	1	1	3.84 W	1	1
2	1	2	6.49 W	1	1
2or3	1	2or3	12.0 W	1	1
4to9	2 or 3	4	25.5 W	0	1
5	4	5	40.0 W	1	0
6to8	4	6	51.0 W	1	0
7	5	7	62.0 W	0	0
8	5	8	71.3 W	0	0

PD class	CLS1 resistor (Ω)	CLS2 resistor (Ω)	Min (mA)	Max (mA)
Class 0	2k	2k	0	40
Class 1	150	150	0.0	12.0
Class 2	80.6	80.6	17.0	20.0
Class 3	51.1	51.1	26.0	30.0
Class 4	36.5	36.5	36.0	44.0
Class 5	36.5	2k	36.0	44.4
Class 6	36.5	150	36.0	44.1
Class 7	36.5	80.6	36.1	44.2
Class 8	36.5	51.1	36.0	44.3

NOTE for Resistors
Where not indicated the body is 0603 and tolerance 5%
NOTE for Capacitors
Where not indicated the body is 0603, the voltage is 100V material X7R and tolerance 10%
100nF 100V is X7R 10% 0805.

NOTE for Class1 and Class2 resistors
their final value could be selected from table based on the output power and type of the PD.

Figure 2. STEVAL-POE006V1 circuit schematic (2 of 3)

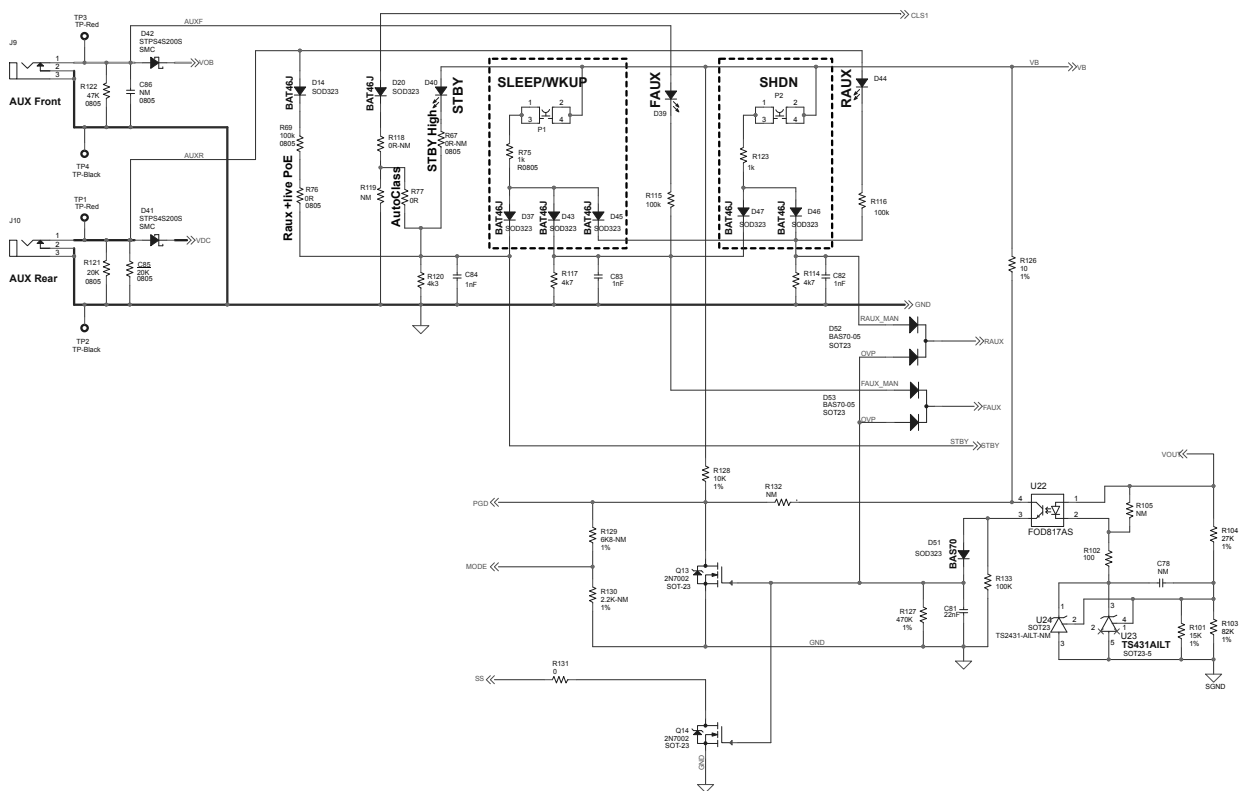
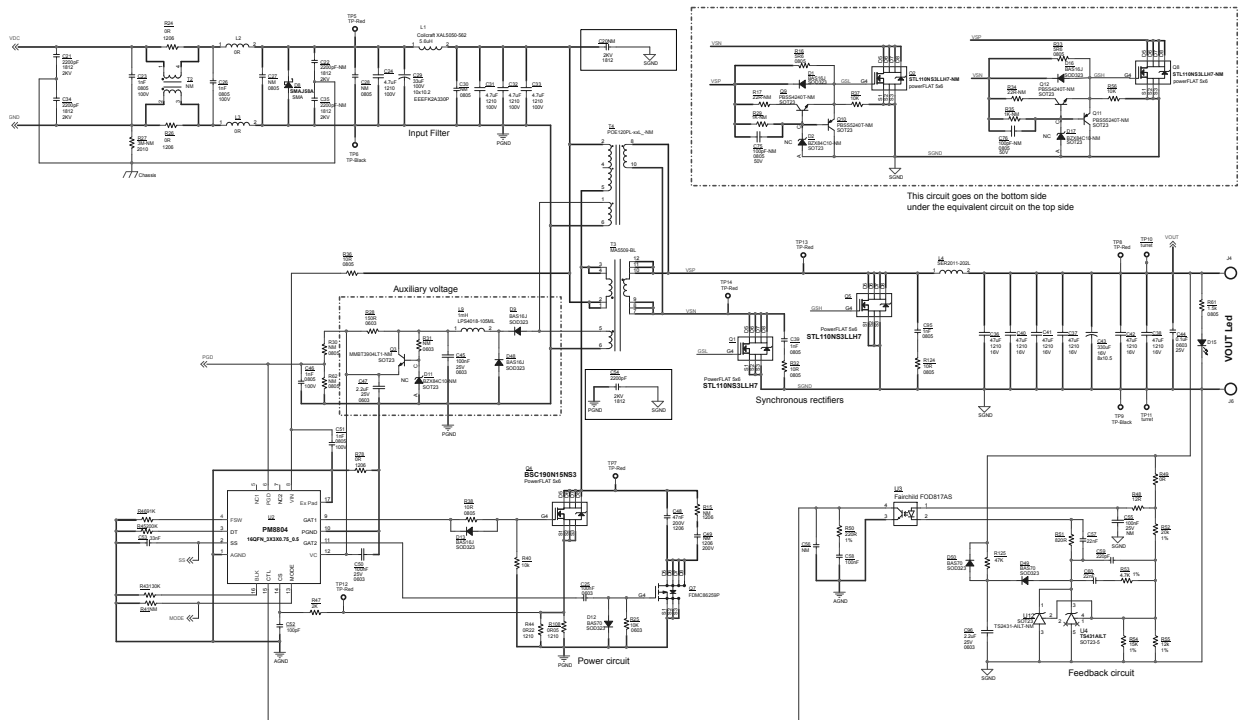


Figure 3. STEVAL-POE006V1 circuit schematic (3 of 3)



Revision history

Table 1. Document revision history

Date	Version	Changes
20-Dec-2018	1	Initial release.

IMPORTANT NOTICE – PLEASE READ CAREFULLY

STMicroelectronics NV and its subsidiaries (“ST”) reserve the right to make changes, corrections, enhancements, modifications, and improvements to ST products and/or to this document at any time without notice. Purchasers should obtain the latest relevant information on ST products before placing orders. ST products are sold pursuant to ST’s terms and conditions of sale in place at the time of order acknowledgement.

Purchasers are solely responsible for the choice, selection, and use of ST products and ST assumes no liability for application assistance or the design of Purchasers’ products.

No license, express or implied, to any intellectual property right is granted by ST herein.

Resale of ST products with provisions different from the information set forth herein shall void any warranty granted by ST for such product.

ST and the ST logo are trademarks of ST. All other product or service names are the property of their respective owners.

Information in this document supersedes and replaces information previously supplied in any prior versions of this document.

© 2018 STMicroelectronics – All rights reserved