



The mild steel terminal box range, STB, with a IP 66 protection degree, is available off the shelf in many different sizes. The STB range is well suited for demanding indoor environments. Water and dust are prevented from entering the terminal box, thus eliminating the risk for component failure, and with that, unnecessary downtime.

Material: 1.2 mm mild steel.

Body: Folded and seam welded. Four 8.5 mm diameter holes for wall fixing. Four M6 x 13 studs for bottom profiles / mounting plate fixation.

Gasket: Sealing is ensured by an injected one piece polyurethane gasket.

Earthing: M8x18 mm earthing studs in body and cover, M8 nuts, earthing washers and earthing labels.

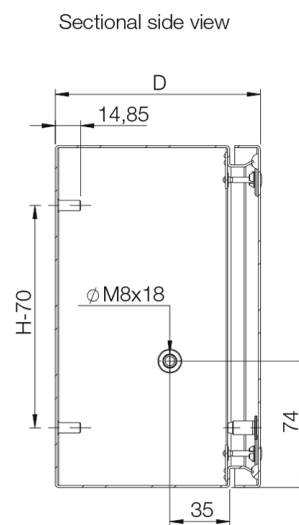
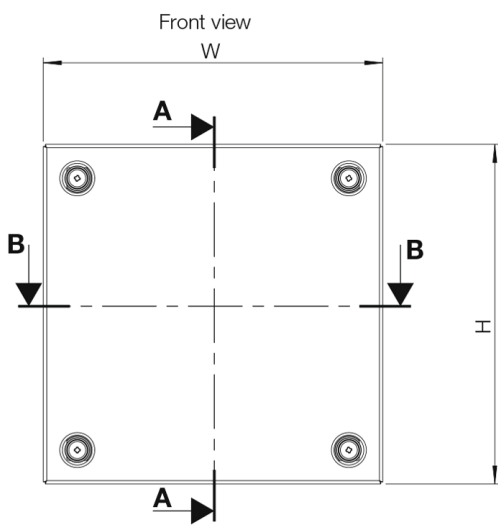
Protection: IP 66 | TYPE 4, 12, 13 | IK 08.

Finish: RAL 7035, structured powder coating.

Delivery: Body, cover, cover screws, fixing screws, cover plugs, and earthing facilities.

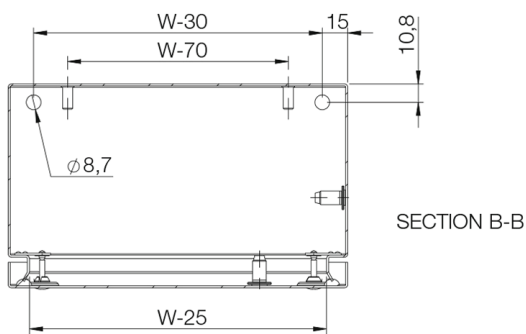
IP 66 | TYPE 4, 12, 13 | IK 08





Sectional top view

SECTION A-A



Box dimension				
H	W	D	Item no.	
150	150	80	STB151508	
150	150	120	STB151512	
150	300	80	STB153008	
150	300	120	STB153012	
200	200	80	STB202008	
200	200	120	STB202012	
200	300	80	STB203008	
200	300	120	STB203012	
200	400	80	STB204008	
200	400	120	STB204012	
200	500	120	STB205012	
200	600	120	STB206012	
200	800	120	STB208012	
300	300	80	STB303008	
300	300	120	STB303012	
300	400	120	STB304012	
300	500	120	STB305012	
300	600	120	STB306012	
400	400	120	STB404012	
400	600	120	STB406012	
400	800	120	STB408012	