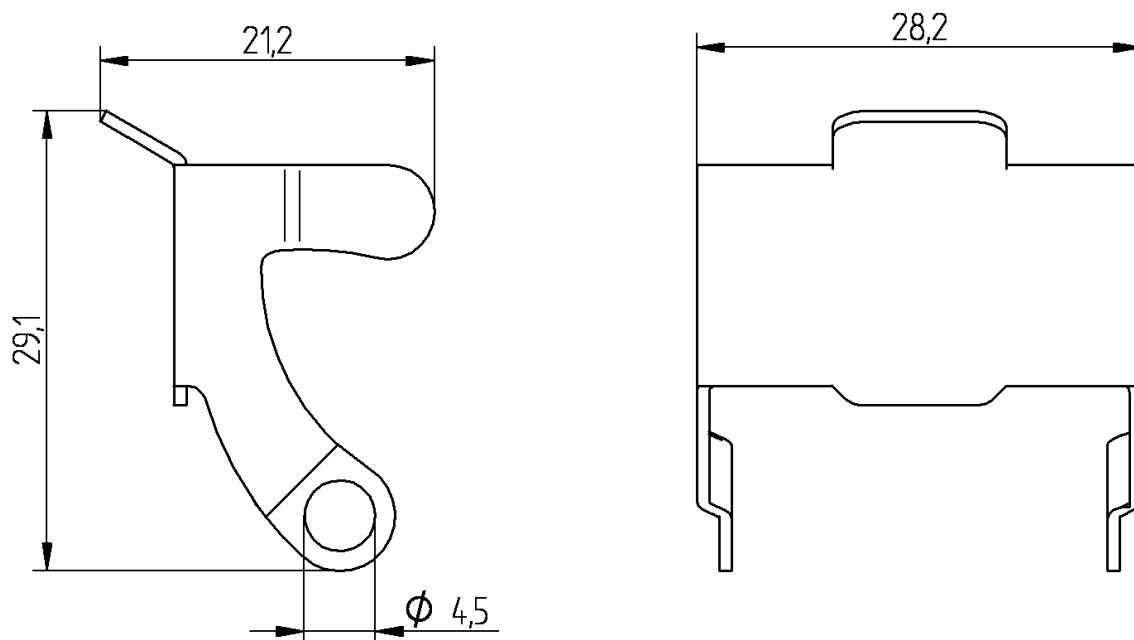
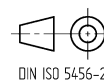


RoHS ✓



The information/details in this datasheet merely contain general descriptions or performance factors which, when applied in an actual situation, do not always correspond with the described form, and may be amended by way of the further development of products. The desired performance factors shall only be binding if these are expressly agreed on conclusion of the contract.



**Product description**

Description	Safety bracket
Type	STASI 3
Order No	732-045-001

**Materials**

Material	ST acc. to DIN EN 10139
Surface	Fe/ZnNi acc. to DIN 50979

**Environmental conditions**

Protection class (IEC 60529) *	IP54, (IP65**)
Temperature range	-30°C to +90°C

**Accessories**

Mating connectors / fitting to	Series: STAS 3..., STASEI 3..., STASAP 3... STAK 3..., STAKEI 3..., STAKAP 3... STAS 5... , STASEI 5... STAK 5... , STAKEI 5...
--------------------------------	---

## product overview

Article-No.	Type
732-045-001	STASI 3