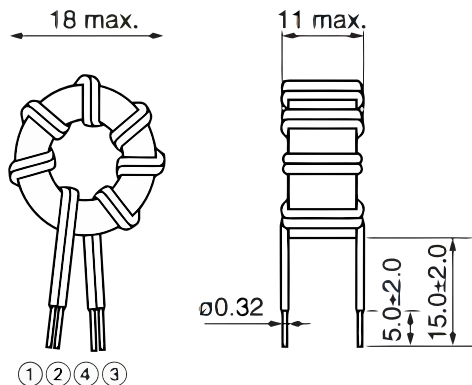


**KEMET Part Number: ST-201**  
(UDLST002010000)

**KEMET**

a YAGEO company

KEMET, ST, DC Line Filters, Common Mode



Dimensions	
L	18mm MAX
T	11mm MAX
H	18mm MAX
LL	15mm +/-2mm

Packaging Specifications	
Packaging:	Tray, Box
Packaging Quantity:	1200
Component Weight:	2.66 g

General Information	
Series:	ST
Style:	Through-Hole
RoHS:	Yes
Miscellaneous:	FM Band, Frequency Range: 7 To 40 MHz, Impedance: 1500 Ohms (7 MHz)

Specifications	
Voltage DC:	50 VDC
Temperature Range:	-20/+75°C
DC Resistance:	100 Ohms

Statements of suitability for certain applications are based on our knowledge of typical operating conditions for such applications, but are not intended to constitute - and we specifically disclaim - any warranty concerning suitability for a specific customer application or use. This Information is intended for use only by customers who have the requisite experience and capability to determine the correct products for their application. Any technical advice inferred from this Information or otherwise provided by us with reference to the use of our products is given gratis, and we assume no obligation or liability for the advice given or results obtained.

**KEMET**

a YAGEO company