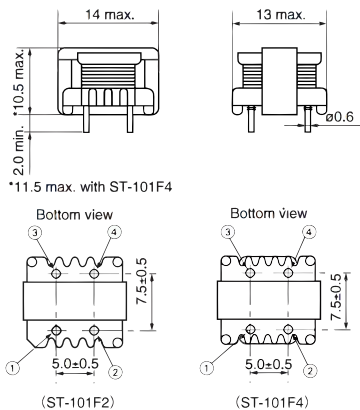


KEMET Part Number: ST-101F4
(UDLST00101F400)



KEMET, ST, DC Line Filters, Common Mode



Dimensions	
L	14mm MAX
W	13mm MAX
H	10.5mm MAX
LL	2mm MIN
S	7.5mm +/-0.5mm

Packaging Specifications	
Packaging:	Tray, Box
Packaging Quantity:	1600
Component Weight:	3.33 g

General Information	
Series:	ST
Style:	Through-Hole
RoHS:	Yes
Miscellaneous:	AM Band, Frequency Range: 0.5 To 7 MHz, Impedance: 60000 Ohms (600 kHz)

Specifications	
Voltage DC:	50 VDC
Temperature Range:	-20/+75°C
DC Resistance:	3.5 Ohms

Statements of suitability for certain applications are based on our knowledge of typical operating conditions for such applications, but are not intended to constitute - and we specifically disclaim - any warranty concerning suitability for a specific customer application or use. This Information is intended for use only by customers who have the requisite experience and capability to determine the correct products for their application. Any technical advice inferred from this Information or otherwise provided by us with reference to the use of our products is given gratis, and we assume no obligation or liability for the advice given or results obtained.

