

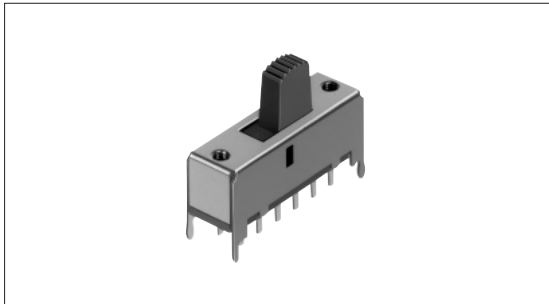
Slide Switch 12(H)mm, 4mm-travel Type

SSSB Series



Long 4mm-travel large-size general-purpose switch with reliable operational feel.

- Detector
- Push
- Slide**
- Rotary
- Encoders
- Power
- Dual-in-line
Package Type
- TACT Switch™



Typical Specifications

Items		Specifications
Rating (max.) / (min.) (Resistive load)		0.3A 30V DC/50μA 3V DC
Contact resistance (Initial performance/After lifetime)		20mΩ max./60mΩ max.
Operating force		Refer to the dimensions.
Operating life	Without load	10,000cycles
	With load	5,000cycles (0.3A 30V DC)

- Custom-Products
- Small size
General Use type
- Big size
General Use type**
- Other Use type

Product Line

Travel (mm)	Actuator direction	Actuator length (mm)	Poles	Positions	Mounting method	Changeover timing	Soldering	Minimum order unit (pcs.)	Products No.	Drawing No.
4	Vertical	6	2	2	Press-in	Non shorting	Manual, Dip	1,500	SSSB021500	1
		9							SSSB022200	
		12	SSSB022700							
		6	3	1,000				SSSB02E300	2	
4	2	SSSB042000	3							

Packing Specifications

Bulk

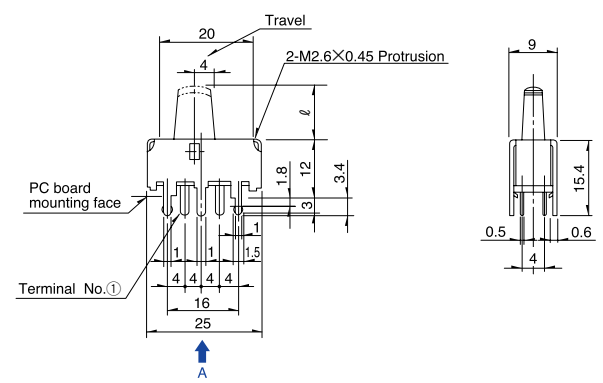
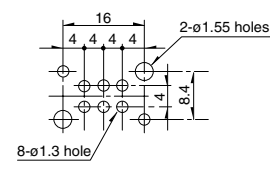
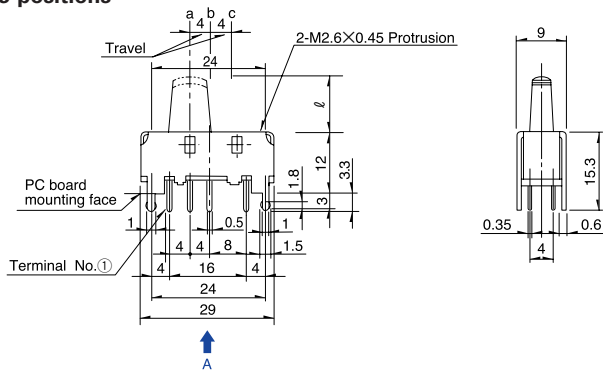
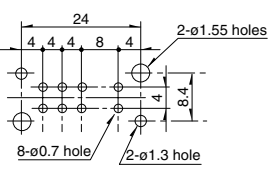
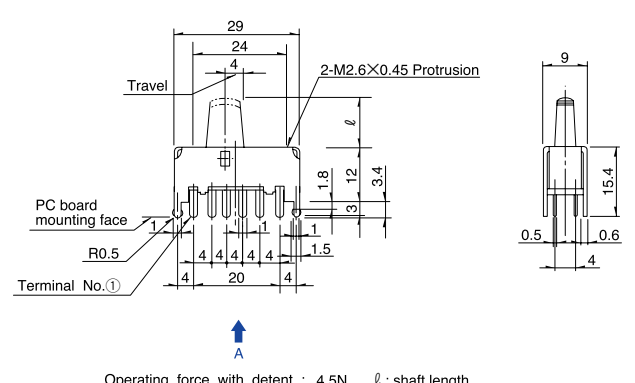
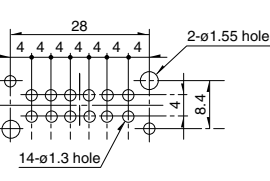
Product No.	Number of packages (pcs.)		Export package measurements (mm)
	1 case /Japan	1 case /export packing	
SSSB021500 SSSB022200 SSSB022700	300	1,500	400×270×290
SSSB02E300 SSSB042000	200	1,000	

Notes

1. Products other than those listed in the above chart are also available. Please contact us for details.
2. Please place purchase orders per minimum order unit N (integer).

Dimensions

Unit:mm

No.	Style	PC board mounting hole dimensions (Viewed from the direction A)
1	<p>2-poles, 2-positions</p>  <p>Operating force with detent : 3.5N l : shaft length</p>	
2	<p>2-poles, 3-positions</p>  <p>Operating force with detent : $\begin{matrix} a \rightarrow b \\ c \rightarrow b \end{matrix} \} 3N$ $\begin{matrix} b \rightarrow a \\ b \rightarrow c \end{matrix} \} 6N$ l : shaft length</p>	
3	<p>4-poles, 2-positions</p>  <p>Operating force with detent : 4.5N l : shaft length</p>	

Detector

Push

Slide

Rotary

Encoders

Power

Dual-in-line
Package Type

TACT Switch™

Custom-
Products

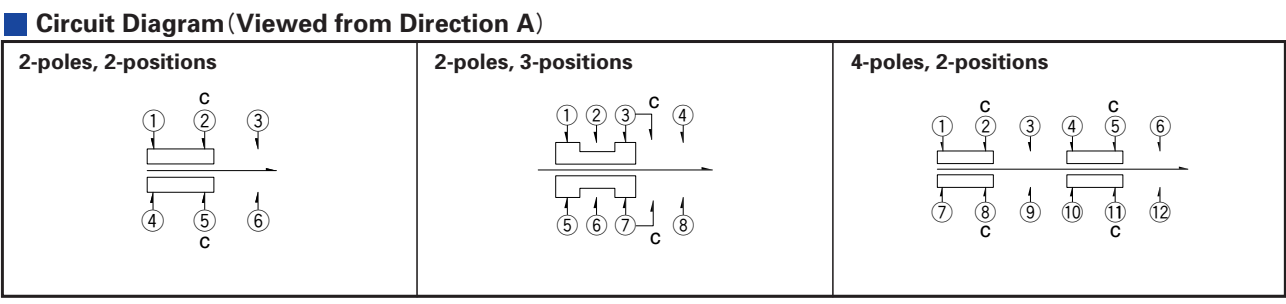
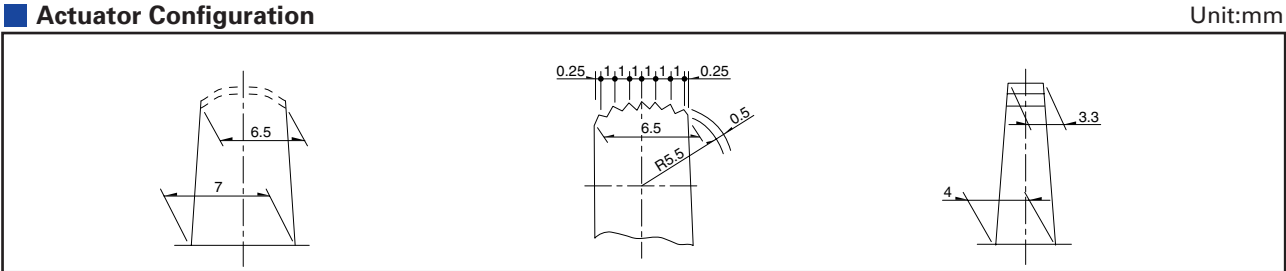
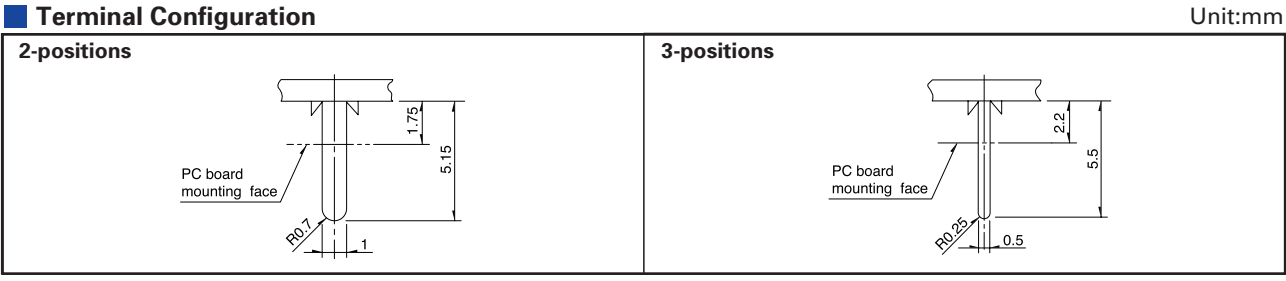
Small size
General Use type

**Big size
General Use type**

Other Use type

Slide Switch 12(H)mm, 4mm-travel Type | SSSB Series

- Detector
- Push
- Slide**
- Rotary
- Encoders
- Power
- Dual-in-line Package Type
- TACT Switch™
- Custom-Products
- Small size General Use type
- Big size General Use type**
- Other Use type



List of Varieties



Series		SSSF ※	SSSU ※	SSSB	SSST	SSAA ※	SSAC	SSAB	
Photo									
Outline specifications	Travel (mm)	2	3	4		2	1.5	1.9 2	
	Actuator direction	Vertical Horizontal		Vertical		Horizontal		Vertical Horizontal	
	Number of poles	1 2 4		2 4	1	1 2	2	1	
Dimensions (mm)	W	16.5	24.5	29	13	12.4	9.5	9	
	D	7		9	4.3	6	5.5	4.2	
	H	8.5		12	3.5	5	5.2	8.5	
Operating temperature range		-10°C to +60°C							
Rating (max.) / (min.) (Resistive load)		0.1A 30V DC		0.3A 30V DC	0.1A 12V DC	0.1A 30V DC	1mA 5V DC	0.1A 12V DC	
		50μA 3V DC							
Electrical performance	Initial contact resistance	25mΩ max.		20mΩ max.	70mΩ max.	25mΩ max.	100mΩ max.	30mΩ max.	
	Insulation resistance	100MΩ min. 500V DC					100MΩ min. 100V DC		100MΩ min. 500V DC
	Voltage proof	500V AC for 1minute					100V AC for 1minute		500V AC for 1minute
Mechanical performance	Terminal strength	5N for 1minute			3N for 1minute	5N for 1minute			
	Actuator strength	30N		50N	20N	10N	5N	30N	
		30N Static force			10N			40N	
Durability	Operating life without load	10,000cycles 45mΩ max.		10,000cycles 40mΩ max.	10,000cycles 100mΩ max.	10,000cycles 45mΩ max.	10,000cycles 200mΩ max.	1,000cycles 60mΩ max.	
	Operating life without load Load:as rating	10,000cycles 65mΩ max.		5,000cycles 60mΩ max.	10,000cycles 130mΩ max.	10,000cycles 65mΩ max.		1,000cycles 80mΩ max.	
Environmental performance	Cold	-20°C for 96h							
	Dry heat	85±2°C for 96h							
	Damp heat	40±2°C, 90~95%RH for 96h							
Soldering	Manual soldering	350±10°C 3 [±] ₀	350±10°C 3 [±] ₀ s	350±10°C 3s max.	350±10°C 3 [±] ₀ s	300±10°C 2s max.	350±10°C 3 [±] ₀ s		
	Dip soldering	260±5°C 5 ⁰ s (2回)	260±5°C 10±1s	260±5°C 5 ⁰ s	260±5°C 10±1s	260±10°C 5±1s	260±5°C 10±1s		
	Reflow soldering								
Poles-positions	1-2	●	●	—	●	●	—	●	
	1-3	●	●	—	—	●	—	—	
	1-4	—							
	2-2	●	●	●	—	●	●	—	
	2-3	●	●	●	—	●	●	—	
	2-4	—							
	4-2	●	●	●	—	—	—	—	
Page	163	167	171	174	175	178	180		

- Slide Switches Soldering Conditions182
- Slide Switches Cautions183

Note

※The operating temperature range for automotive applications can be raised upon request. Please contact us for details.