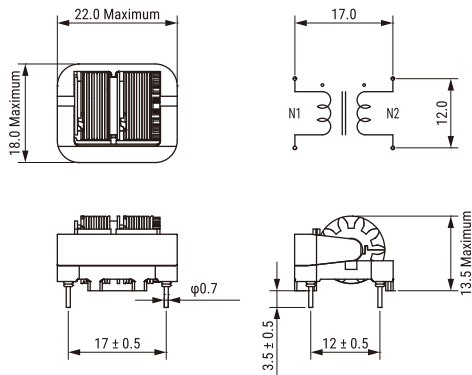


KEMET Part Number: SSR10H-14140
(UALR10H1414000)

KEMET
a YAGEO company

KEMET, SSR10V/H, AC Line Filters, Common Mode, 14 mH



General Information	
Series:	SSR10V/H
Style:	Through-Hole
Features:	Small Standard Common Mode, High Permeability, Compact Size, Low Profile, Light Weight, High Impedance, Strong Inductance
RoHS:	Yes
Miscellaneous:	Temperature Rise Maximum: 80 K
Core:	Mn-Zn Ferrite

Dimensions	
L	22mm MAX
T	18mm MAX
H	13.5mm MAX
LL	3.5mm +/-0.5mm
S	17mm +/-0.5mm
S1	12mm +/-0.5mm
Wire Size	0.35mm

Specifications	
Voltage AC:	250 VAC
Inductance:	14 mH (10 kHz)
Current:	1.4 A
Temperature Range:	-25/+120°C
DC Resistance:	400 mOhms

Packaging Specifications	
Packaging:	Tray
Component Weight:	9 g

Statements of suitability for certain applications are based on our knowledge of typical operating conditions for such applications, but are not intended to constitute - and we specifically disclaim - any warranty concerning suitability for a specific customer application or use. This Information is intended for use only by customers who have the requisite experience and capability to determine the correct products for their application. Any technical advice inferred from this Information or otherwise provided by us with reference to the use of our products is given gratis, and we assume no obligation or liability for the advice given or results obtained.

KEMET
a YAGEO company