



Main

| | |
|---------------------------------|--------------------------------------|
| Range of product | Harmony Relay |
| Product or component type | Solid state relay |
| Device short name | SSP1 |
| Mounting support | Panel |
| Number of phases | 1 phase |
| Contacts type and configuration | 1 NO |
| Line Rated Current | 50 A |
| Solid state output type | SCR output Zero voltage switching |

Complementary

| | |
|--|---|
| [Uc] control circuit voltage | 90...280 V AC |
| Minimum switching voltage | 90 V AC turn-on |
| Maximum switching voltage | 10 V AC turn-off |
| Response time | 30 ms turn-off) 25 ms turn-on) |
| Input current | 5...10 mA |
| Output voltage | 48...660 V AC |
| Load current | 0.15...50 A |
| Transient overvoltage | 1200 V |
| Surge current | 625 A 16.6 ms |
| Maximum I ² t for fusing | 1770 A ² .S 10 ms 50 Hz 1629 A ² .s 8.33 ms 60 Hz |
| Co-ordination type | Type 1 - 40 A miniature circuit breaker (MCB) B Type 2 - 32 A miniature circuit breaker (MCB) B |
| Maximum leakage current | 1 mA off-state |
| Maximum voltage drop | <1.15 V on-state |
| DV/dt | 500 V/μs off-state at maximum voltage |
| Power factor | 0.5 with maximum load) |
| Motor controller rating | 0.75 Hp 120 V AC 2 Hp 240 V AC 5 hp 480 V AC |
| Insulation resistance | 1000 MOhm 500 V DC |
| Maximum capacitance | 8 pF input/output |
| Dielectric strength | 4 KV AC input/output 4 kV AC input or output to case |
| [Uimp] rated impulse withstand voltage | 6 KV output to case 6 kV input to output |
| Tightening torque | 1.5...1.7 N.m input 2...2.2 N.m output |
| Connections - terminals | Screw terminals 0.2...3.3 mm ² , AWG 24...AWG 12) with cable end input Screw terminals 0.5...5.26 mm ² , AWG 20...AWG 10) with cable end output Screw terminals 0.2...3.3 mm ² , AWG 24...AWG 12) without cable end input Screw terminals 0.5...8.26 mm ² , AWG 20...AWG 8) without cable end output Forked type tag connectors 9.2 x 4 mm input Ring lugs 9.2 x 4 mm input Forked type tag connectors 11.7 x 4.5 mm output Ring lugs 11.7 x 4.5 mm output |
| Thermal resistance | 0.45 °C/W junction to case |

| | |
|-------------------------|--|
| LED indicator | LED, green input |
| IP degree of protection | IP20 |
| Safety reliability data | B10d = 1731395 MTTFd = 1875.9 years |
| Net Weight | 3.15 oz (89.2 g) |
| Device presentation | Complete product |

Environment

| | |
|---------------------------------------|--|
| Ambient air temperature for operation | -40...176 °F (-40...80 °C) |
| Ambient air temperature for storage | -40...257 °F (-40...125 °C) |
| Pollution degree | 2 |
| Overvoltage category | III |
| Product certifications | EAC CE RoHS CSA UL |
| Marking | EAC CE UL CSA |
| Standards | EN/IEC 60950-1 CSA C22.2 No 14-13 EN/IEC 62314 UL 508 |

Ordering and shipping details

| | |
|-----------------------|--|
| Category | 22000 - Temporary Category for ITS Price Promotion |
| Discount Schedule | I |
| GTIN | 03606485441955 |
| Nbr. of units in pkg. | 1 |
| Package weight(Lbs) | 0.2 lb(US) (0.09 kg) |
| Returnability | Yes |
| Country of origin | MX |

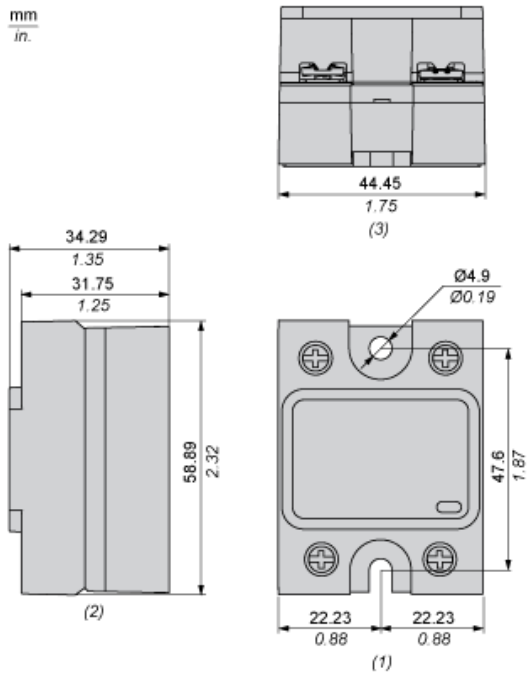
Packing Units

| | |
|------------------|----------|
| Package 1 Height | 0.390 dm |
| Package 1 width | 0.470 dm |
| Package 1 Length | 0.660 dm |

Offer Sustainability

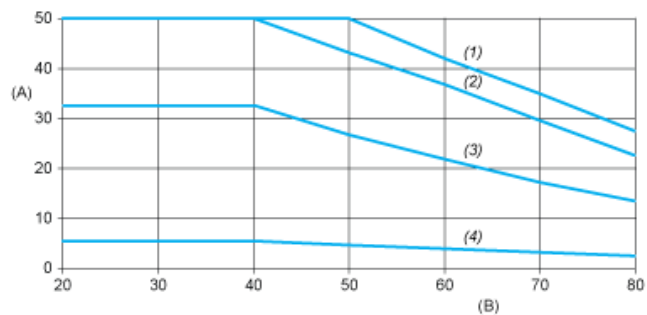
| | |
|----------------------------|---|
| Sustainable offer status | Green Premium product |
| California proposition 65 | WARNING: This product can expose you to chemicals including: Lead and lead compounds, which is known to the State of California to cause cancer and birth defects or other reproductive harm. For more information go to www.P65Warnings.ca.gov |
| REACH Regulation | REACH Declaration |
| EU RoHS Directive | Pro-active compliance (Product out of EU RoHS legal scope) EU RoHS Declaration |
| Mercury free | Yes |
| RoHS exemption information | Yes |
| China RoHS Regulation | China RoHS Declaration |
| Environmental Disclosure | Product Environmental Profile |
| Circularity Profile | End Of Life Information |

Dimensions



- (1) Front view
- (2) Side view
- (3) Bottom view

Derating Curves



- A : Load Current (Arms)
- B : Ambient Temperature (°C)
- (1) For Heatsink SSRHP07
- (2) For Heatsink SSRHD10
- (3) For Heatsink SSRHP17
- (4) No Heatsink