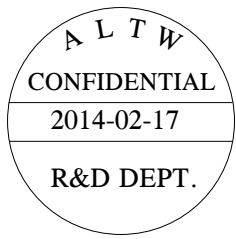
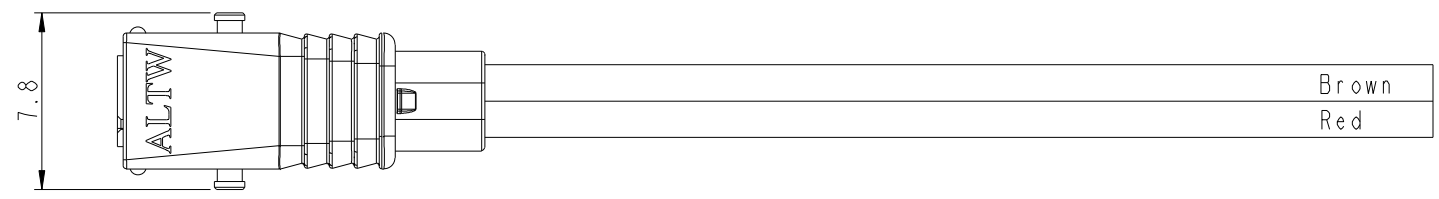
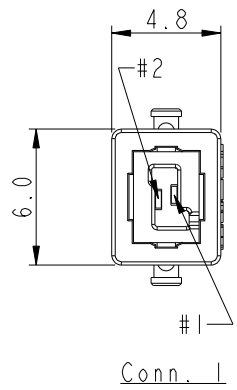
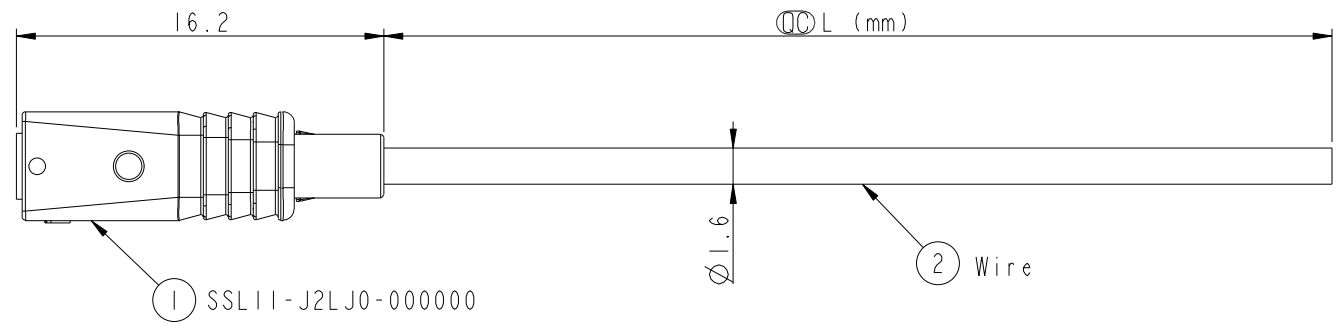


REV.	ECN NO.	DATE	SIGN	DESCRIPTION
A	Initial Release	2014-02-17	Fisher	Initial Release



SSL11-J2LJ0-022AXX

- 01: L=100±20 mm.
- 02: L=200±20 mm.
- 04: L=400±25 mm.
- Standard Length is 400mm
- Wire Length Range(L): 100-9900mm
- 22: 22AWG
- LOCK&LATCH OPTION
- 0: W/O LOCK

- Notes:
- \* (QC) Important Dimensions To Check.
  - \* Housing: Thermoplastic, UL94V-0, Natural White.
  - \* Terminal: Copper Alloy, Gold Plated.
  - \* Hood: Thermoplastic, UL94V-0, Natural White.
  - \* SR Mold: PP, UL94V-0, Natural White.
  - \* Wire: UL1430 22AWG, Brown/Red.
  - \* Wire Length Tolerance: ±5%mm.

2	Red	紅
1	Brown	棕
Conn. 1	Wire Color	
Pin Out		

UNIT:mm		
TOLERANCE	.X ±0.25	
	.XX ±0.1	
	.XXX ±0.05	
ANGLES	±1°	

TITLE SSL1.1 WIRE ASS'Y, W/O LOCK 2-POS, JACK TO OPEN			
SCALE 3:1	SIZE A4	SHEET 1 OF 1	
REV. A	WC-REV. A.1	(QC): Inspection item	

**Amphenol LTW**  
安費諾亮泰企業股份有限公司

ITEM NO	DRAWN BY Fisher_Wang	DATE 2014-02-17
DWG NO SSL11-J2LJ0-022AXX	CHECKED BY Ivan_Lin	DATE 2014-02-17
CUSTOMER ALTW	APPROVED BY Kevin_Hu	DATE 2014-02-17

THIS DOCUMENT IS SUBJECT TO CHANGE WITHOUT NOTICE. IT IS CONFIDENTIAL AND A PROPERTY OF AMPHENOL LTW. DISCLOSURE TO THIRD PARTY HAS TO BE AUTHORIZED BY AMPHENOL LTW.