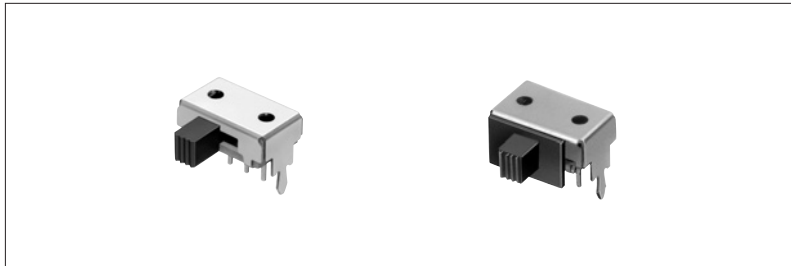


2.0mm-travel, Slide Switch

SSAA Series

A horizontal type with a stroke of 2.0 mm.



Features

- 2.0mm-travel.
- Direct exposure of the knob is possible.

Applications

- For switching functions of car audio systems, LCD TVs portable audios, camcorders, and telephones

Typical Specifications

Items		Specifications	
Rating (max.) (Resistive load)		0.1A 30V DC	
Contact resistance (Initial performance / After lifetime)		25mΩ max. / 65mΩ max.	
Operating force		2-position	3-position
		2.5±1.5N	b to a, c 3±1.5N a, c to b 2±1.5N
Operating life	Without load	10,000 cycles	
	With load	10,000 cycles (0.1A 30V DC)	

Products Line

Travel (mm)	Operating section directions	With/Without a cover	Length of operating section (mm)	Poles	Positions	Mounting method	Changeover timing	Soldering	Minimum packing unit (pcs.)	Products No.	Drawing No.	
2	Horizontal	With	4	1	2	Press-in	Non shorting	Manual, Dip	100	SSAA110300	1	
			8							3		SSAA110200
			4		2						Not specified	SSAA110600
			8							3		SSAA110500
			4	2			Non shorting				SSAA120400	3
			8							Not specified	SSAA120200	
			4		2		3				SSAA120700	4
			8							SSAA120600		
		Without	1	2		SSAA110100	5					
						2	SSAA120300			6		

Note

Additional switches not included in the above list are also available. Contact us for details.

For other detailed specifications, see P.151

Power

Push

Slide

Rotary

Encoders

Jog Shuttle

Telephone-hook

Detector

Vibration Sensors

Dual-in-line Package Type

Multi Control Devices

TACT

Small size General Use type

Big size General Use type

Other Use type

Dimensions
Cover integrated type

Unit : mm

No.	Style	PC board mounting hole dimensions (Viewed from the direction A)
1	<p>1-pole, 2-positions</p>	
2	<p>1-pole, 3-positions</p>	
3	<p>2-poles, 2-positions</p>	
4	<p>2-poles, 3-positions</p>	

Dimensions
Without cover type

Unit : mm

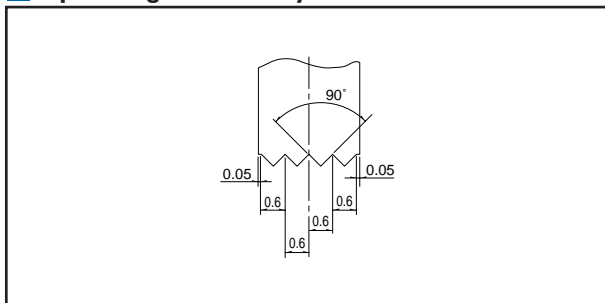
No.	Style	PC board mounting hole dimensions (Viewed from the direction A)
5	1-pole, 2-positions 	
6	2-poles, 2-positions 	

Circuit Diagram (Viewed from the Direction A)

1-pole, 2-positions 	1-pole, 3-positions 	2-poles, 2-positions 	2-poles, 3-positions
--------------------------------	--------------------------------	---------------------------------	---------------------------------

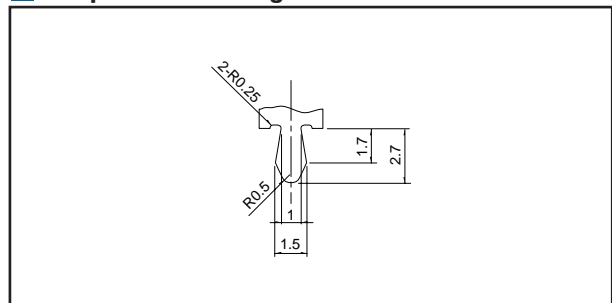
Operating Section Style

Unit : mm



Shape of Frame Leg

Unit : mm



Power

Push

Slide

Rotary

Encoders

Jog Shuttle

Telephone-hook

Detector

Vibration Sensors

Dual-in-line Package Type

Multi Control Devices

TACT

Small size
General Use type

Big size
General Use type

Other Use type

Products Specifications

Items		Series	SSSB	SSAA	SSAC	SSAB	SSST	
Operating temperature range		-10°C to +60°C						
Rating (max.) (Resistive load)		0.3A 30V DC	0.1A 30V DC	1mA 5V DC (Rating)	0.1A 12V DC			
Electrical performance	Initial contact resistance	20mΩ max.	25mΩ max.	100mΩ max.	30mΩ max.	70mΩ max.		
	Insulation resistance	100MΩ min. 500V DC		100MΩ min. 100V DC	100MΩ min. 500V DC			
	Voltage proof	500V AC for 1 min.		100V AC for 1 min.	500V AC for 1 min.			
Mechanical performance	Robustness of terminal	5N for 1 min.					3N for 1 min.	
	Robustness of actuator	Operating direction	50N	10N	5N	30N	20N	
		Pulling direction	30N static force			40N	10N	
	Vibration		10 to 55 to 10Hz/min., the amplitude is 1.5mm for all the frequencies, in the 3 direction of X, Y and Z for 2 hours respectively					
	Solderability		230±5°C, 3±0.5s					
	Resistance to soldering heat	Manual soldering	350±10°C 3 ⁺ ±s		300±10°C 2s max.	350±10°C 3 ⁺ ±s	350±10°C 3s max.	
		Dip soldering	260±5°C 10±1s		260±10°C 5±1s	260±5°C 10±1s	260±5°C 5 ⁺ ±s	
Reflow soldering							Please see P.152	
Durability	Operating life without load	10,000 cycles 40mΩ max.	10,000 cycles 45mΩ max.	10,000 cycles 200mΩ max.	1,000 cycles 60mΩ max.	10,000 cycles 100mΩ max.		
	Operating life with load Load : As rating	5,000 cycles 60mΩ max.	10,000 cycles 65mΩ max.		1,000 cycles 80mΩ max.	10,000 cycles 130mΩ max.		
Environmental performance	Cold	-20±2°C for 96h						
	Dry heat	85±2°C for 96h						
	Damp heat	40±2°C, 90 to 95%RH for 96h						

Power

Push

Slide

Rotary

Encoders

Jog Shuttle

Telephone hook

Detector

Vibration Sensors

Dual-in-line Package Type

Multi Control Devices

TACT

Small size
General Use typeBig size
General Use type

Other Use type