
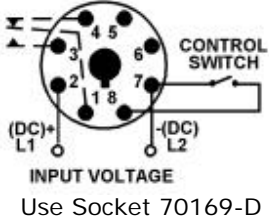
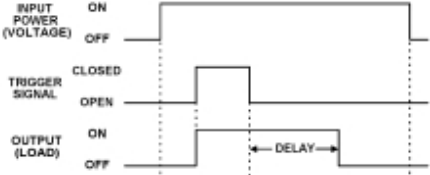

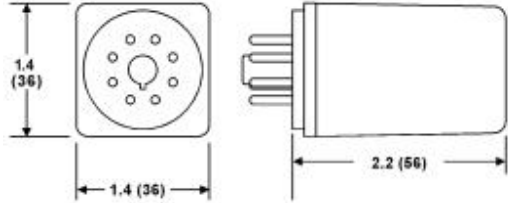




|  | Product Number | Function*                     | Input Voltage | Output  | Wiring / Sockets  |
|---|----------------|-------------------------------|---------------|---------|---|
|   | SS-8568-F4S    | OFF DELAY,<br>Fixed at 4 Sec. | 24 VAC/DC     | 5A SPDT |  |

| *DESCRIPTION OF FUNCTION   | CHART   |
|--|---|
| <p>Upon application of input voltage, the time delay relay is ready to accept trigger signals. Upon application of the trigger signal, the relay contacts transfer and hold. Upon release of the trigger signal, the preset time begins and the relay contacts stay held. At the end of the preset time, the relay contacts return to their normal condition. Any application of the trigger signal will reset the time.</p> |  |

| APPLICATION INFORMATION  | DIMENSIONS   |
|--|--|
| <p><b>Voltage Tolerance:</b> AC Operation: +10/-15% of nominal at 50/60 Hz.; DC Operation: +10/-15% of nominal.</p> <p><b>Load (Burden):</b> Less than 3VA</p> <p><b>Setting Accuracy:</b> Maximum Setting (Adjustable): +5%, -0%; Minimum Setting (Adjustable): +0%, -50%</p> <p><b>Repeat Accuracy (Constant Voltage &amp; Temperature):</b> &gt; 2 Seconds Delay ±2%; 0.1 - 2 Seconds Delay ±5%</p> <p><b>Reset Time:</b> 0.2 Seconds</p> <p><b>Output Contacts:</b> 5A Resistive @ 120VAC/28VDC, 1/6HP @ 120VAC</p> <p><b>Life:</b> Mechanical: 10,000,000 operations; Full Load: 100,000 operations</p> <p><b>Temperature:</b> 0° to 60° C (32° to 140° F)</p> <p><b>Insulation Voltage:</b> 2,000 volts</p> <p><b>Approvals:</b></p> <div style="text-align: center;">  </div> <p style="text-align: center;">with Appropriate Macromatic Socket</p> |  <p style="text-align: center;">Inches (Millimeters)</p> |