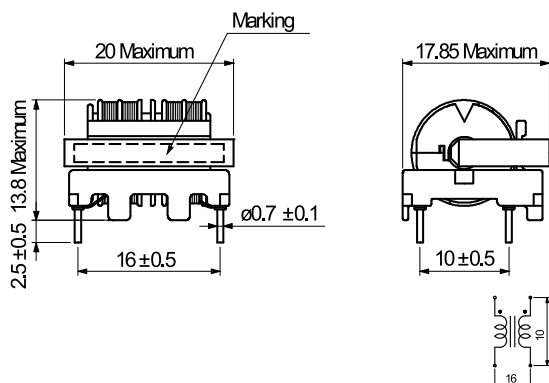


**KEMET Part Number: SS17HB-R03300** **Not for New Design**  
(UAL17HBR033000)

**KEMET**  
a YAGEO company

KEMET, SS17HB, AC Line Filters, Common Mode, 30 mH



#### Dimensions

<b>L</b>	20mm MAX
<b>T</b>	17.85mm MAX
<b>H</b>	13.8mm MAX
<b>LL</b>	2.5mm +/-0.5mm
<b>S</b>	16mm +/-0.5mm
<b>S1</b>	10mm +/-0.5mm
<b>Wire Size</b>	0.2mm

#### Packaging Specifications

<b>Component Weight:</b>	5.9 g
--------------------------	-------

#### General Information

<b>Series:</b>	SS17HB
<b>Style:</b>	Through-Hole
<b>RoHS:</b>	Yes
<b>Miscellaneous:</b>	Inductance Measurement Condition: 1kHz 1V KC530 or equivalent

#### Specifications

<b>Voltage AC:</b>	250 VAC
<b>Inductance:</b>	30 mH
<b>Current:</b>	300 mA
<b>Temperature Range:</b>	-25/+120°C
<b>DC Resistance:</b>	2.6 Ohms

Statements of suitability for certain applications are based on our knowledge of typical operating conditions for such applications, but are not intended to constitute - and we specifically disclaim - any warranty concerning suitability for a specific customer application or use. This Information is intended for use only by customers who have the requisite experience and capability to determine the correct products for their application. Any technical advice inferred from this Information or otherwise provided by us with reference to the use of our products is given gratis, and we assume no obligation or liability for the advice given or results obtained.

**KEMET**  
a YAGEO company