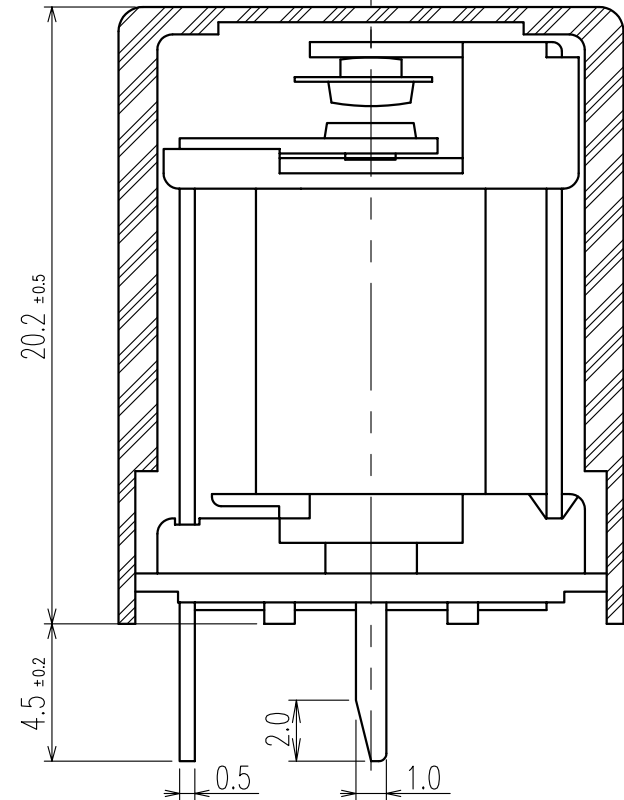
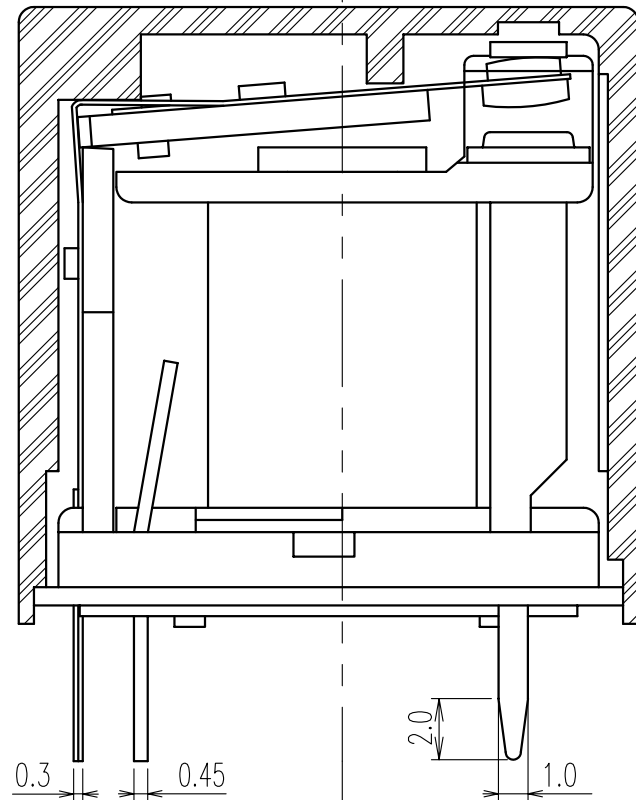


THIS DRAWING IS UNPUBLISHED. RELEASED FOR PUBLICATION
 © COPYRIGHT BY TYCO ELECTRONICS CORPORATION. ALL RIGHTS RESERVED.

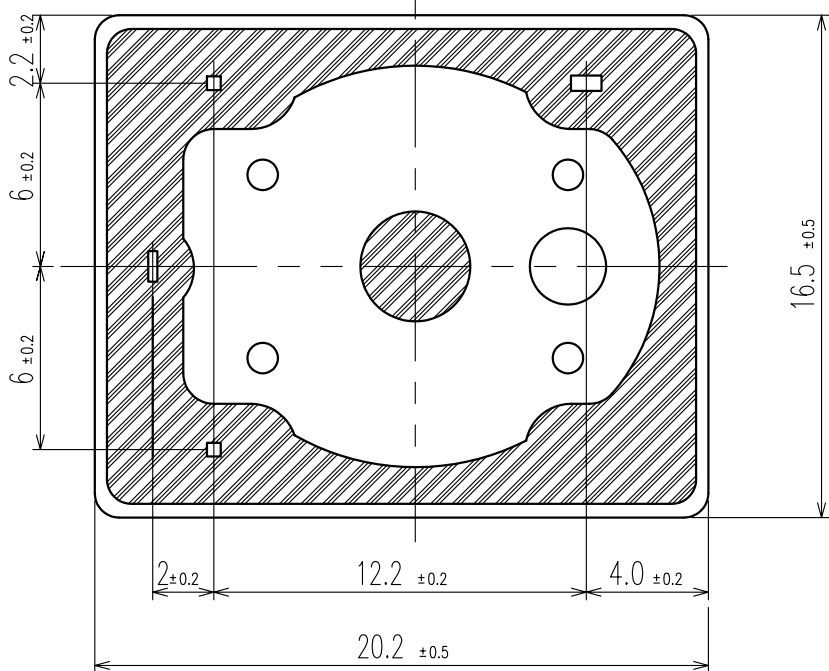
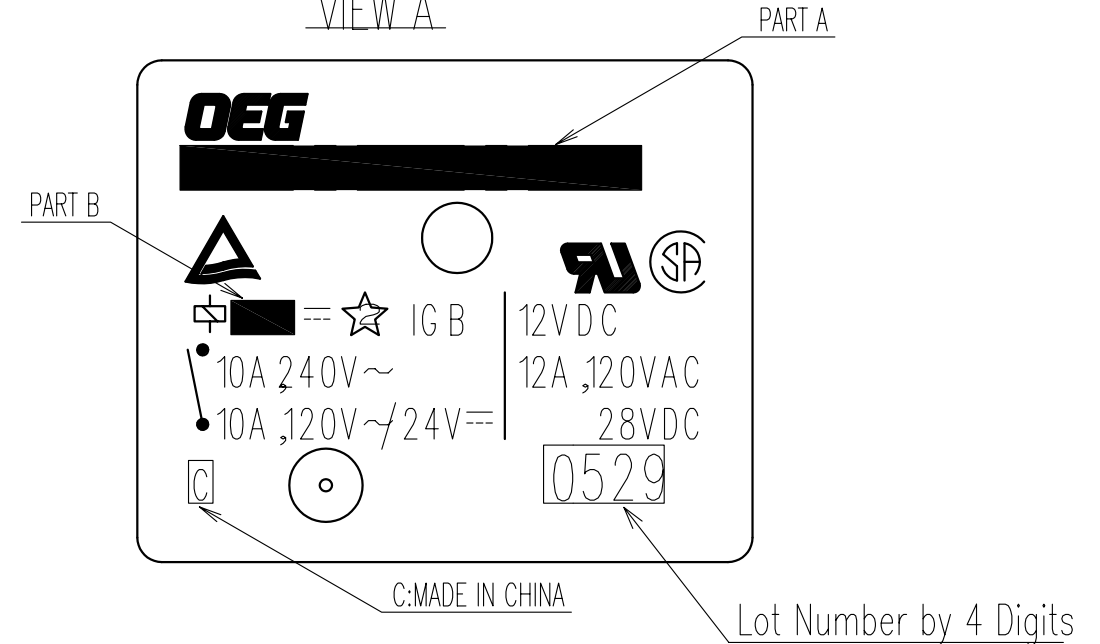
LOC HH
 DIST

REVISIONS
 変更

P	LTR	DESCRIPTION	ECN	DATE	DWN	APVD
	A	RELEASE		18-MAY-05	H.S	A.N
	A1	ADD TYPE	ECO-06-005615	07-MAR-06	WJQ	AY



VIEW A



NOTE
 1. LOT No SYSTEM AS FOLLOW:

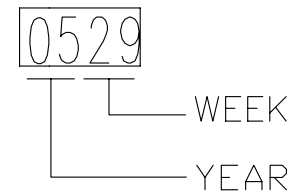


Diagram dimension 作図寸法	Tolerance 公差
0.99mm max.	±0.1mm
1 - 2.99mm	±0.2mm
3mm min.	±0.3mm

THIS DRAWING IS A CONTROLLED DOCUMENT FOR TYCO ELECTRONICS CORPORATION
 IT IS SUBJECT TO CHANGE AND THE CONTROLLING ENGINEERING ORGANIZATION
 SHOULD BE CONTACTED FOR THE LATEST REVISION.

DIMENSIONS: 単位: 寸法 mm	TOLERANCES UNLESS OTHERWISE SPECIFIED:
	0 PLC ±
	1 PLC ±
	2 PLC ±
	3 PLC ±
	4 PLC ±
	ANGLES ±
MATERIAL 材料	FINISH 仕上

DWN H.SASAKI	tyco Electronics	Tyco Electronics EC K.K. Tochigi, Japan	
CHK Y.OIKAWA		NAME	
APVD A.NAGAI	SRUDH-DM1,000B SPECIAL		
PRODUCT SPEC -	SIZE A3	CAGE CODE 00779	DRAWING NO 1721440
APPLICATION SPEC -	WEIGHT -		RESTRICTED TO -
CUSTOMER DRAWING		SCALE 4:1	SHEET 1 of 2
		REV A1	

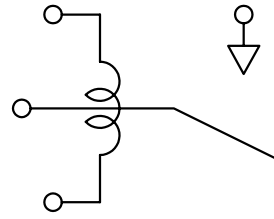
THIS DRAWING IS UNPUBLISHED. RELEASED FOR PUBLICATION
 © COPYRIGHT BY TYCO ELECTRONICS CORPORATION. ALL RIGHTS RESERVED.

LOC HH	DIST	REVISIONS 変更						
		P	LTR	DESCRIPTION	ECN	DATE	DWN	APVD
			A	RELEASE		18-MAY-05	H.S	A.N
	A1	ADD TYPE		07-MAR-06	WJQ	AY		

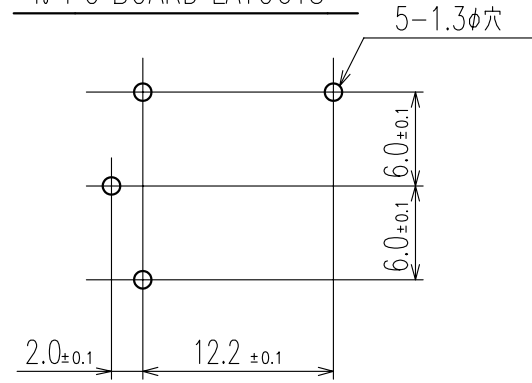
3-1419146-2	SRUDH-SH-148DM1,000	107-79007	48V	SRUDH-SH-148DM1	x	(A1)
9-1419126-0	SRUDH-SH-124DM1,000	107-79007	24V	SRUDH-SH-124DM1	w	(A1)
1461902-1	SRUDH-SH-115DM1,000	107-79007	15V	SRUDH-SH-115DM1	v	(A1)
8-1419126-4	SRUDH-SH-112DM1,000	107-79007	12V	SRUDH-SH-112DM1	u	(A1)
3-1419146-1	SRUDH-SH-109DM1,000	107-79007	9V	SRUDH-SH-109DM1	t	(A1)
7-1419126-8	SRUDH-SH-106DM1,000	107-79007	6V	SRUDH-SH-106DM1	s	(A1)
3-1419146-0	SRUDH-SH-105DM1,000	107-79007	5V	SRUDH-SH-105DM1	r	(A1)
2-1419146-8	SRUDH-SH-103DM1,000	107-79007	3V	SRUDH-SH-103DM1	q	(A1)
1-1721440-6	SRUDH-SH-148DM1,000B	107-79033	48V	SRUDH-SH-148DM1	p	(A1)
1-1721440-5	SRUDH-SH-124DM1,000B	107-79033	24V	SRUDH-SH-124DM1	o	(A1)
1-1721440-4	SRUDH-SH-118DM1,000B	107-79033	18V	SRUDH-SH-118DM1	n	(A1)
1-1721440-3	SRUDH-SH-112DM1,000B	107-79033	12V	SRUDH-SH-112DM1	m	(A1)
1-1721440-2	SRUDH-SH-109DM1,000B	107-79033	9V	SRUDH-SH-109DM1	l	(A1)
1-1721440-1	SRUDH-SH-106DM1,000B	107-79033	6V	SRUDH-SH-106DM1	k	(A1)
1-1721440-0	SRUDH-SH-105DM1,000B	107-79033	5V	SRUDH-SH-105DM1	j	(A1)
1721440-9	SRUDH-SH-103DM1,000B	107-79033	3V	SRUDH-SH-103DM1	i	(A1)
1721440-8	SRUDH-SS-148DM1,000B	107-79033	48V	SRUDH-SS-148DM1	h	(A1)
1721440-7	SRUDH-SS-124DM1,000B	107-79033	24V	SRUDH-SS-124DM1	g	(A1)
1721440-6	SRUDH-SS-118DM1,000B	107-79033	18V	SRUDH-SS-118DM1	f	(A1)
1721440-5	SRUDH-SS-112DM1,000B	107-79033	12V	SRUDH-SS-112DM1	e	(A1)
1721440-4	SRUDH-SS-109DM1,000B	107-79033	9V	SRUDH-SS-109DM1	d	(A1)
1721440-3	SRUDH-SS-106DM1,000B	107-79033	6V	SRUDH-SS-106DM1	c	(A1)
1721440-2	SRUDH-SS-105DM1,000B	107-79033	5V	SRUDH-SS-105DM1	b	(A1)
1721440-1	SRUDH-SS-103DM1,000B	107-79033	3V	SRUDH-SS-103DM1	a	(A1)
PART NO	EC TYPE NAME	PACKING SPECIFICATION	PART B	PART A	ITEM	

RELAY TYPE

3. WIRING DIAGRAMS



4. PC BOARD LAYOUTS



(A1)(A1)(A1)(A1)(A1)(A1)(A1)(A1)

AR	AR	AR	AR	AR	AR	AR	AR	AR	AR	AR	AR	AR	AR	AR	AR	AR	AR	AR	AR	AR	AR	AR	AR		UV RESIN	UV SEAL	14	
AR	AR	AR	AR	AR	AR	AR	AR	AR	AR	AR	AR	AR	AR	AR	AR	AR	AR	AR	AR	AR	AR	AR	AR		EPOXY RESIN	SEAL	13	
AR	AR	AR	AR	AR	AR	AR	AR	AR	AR	AR	AR	AR	AR	AR	AR	AR	AR	AR	AR	AR	AR	AR		UEW	MAGNETIC WIRE	12		
1	1	1	1	1	1	1	1	1	1	1	1	1	1	1	1	1	1	1	1	1	1	1	UL 94V-0	PBT	CASE	11		
1	1	1	1	1	1	1	1	1	1	1	1	1	1	1	1	1	1	1	1	1	1	1	UL 94V-0	PBT	BOBBIN	10		
1	1	1	1	1	1	1	1	1	1	1	1	1	1	1	1	1	1	1	1	1	1	1		CP WIRE	COIL TERMINAL	9		
1	1	1	1	1	1	1	1	1	1	1	1	1	1	1	1	1	1	1	1	1	1	1		Ag ALLOY	STATIONARY CONTACT	8		
1	1	1	1	1	1	1	1	1	1	1	1	1	1	1	1	1	1	1	1	1	1	1		Ag ALLOY	MOVABLE CONTACT	7		
1	1	1	1	1	1	1	1	1	1	1	1	1	1	1	1	1	1	1	1	1	1	1		Cu ALLOY	DUMMY B-TERMINAL	6		
1	1	1	1	1	1	1	1	1	1	1	1	1	1	1	1	1	1	1	1	1	1	1		Cu	M-TERMINAL	5		
1	1	1	1	1	1	1	1	1	1	1	1	1	1	1	1	1	1	1	1	1	1	1		Cu ALLOY	MOVABLE SPRING	4		
1	1	1	1	1	1	1	1	1	1	1	1	1	1	1	1	1	1	1	1	1	1	1		Ni PLATING	STEEL	CORE	3	
1	1	1	1	1	1	1	1	1	1	1	1	1	1	1	1	1	1	1	1	1	1	1		Ni PLATING	STEEL	ARMATURE	2	
1	1	1	1	1	1	1	1	1	1	1	1	1	1	1	1	1	1	1	1	1	1	1		Ni PLATING	STEEL	YOKE	1	
x	w	v	u	t	s	r	q	p	o	n	m	l	k	j	i	h	g	f	e	d	c	b	a	INCOMBUSTIBILITY	TREATMENT	MATERIAL	DESCRIPTION	ITEM

THIS DRAWING IS A CONTROLLED DOCUMENT FOR TYCO ELECTRONICS CORPORATION. IT IS SUBJECT TO CHANGE AND THE CONTROLLING ENGINEERING ORGANIZATION SHOULD BE CONTACTED FOR THE LATEST REVISION.

DIMENSIONS: 單位: 耗 mm	TOLERANCES UNLESS OTHERWISE SPECIFIED: 0 PLC ± 1 PLC ± 2 PLC ± 3 PLC ± 4 PLC ± ANGLES ±
MATERIAL 材料	FINISH 仕上

DWN	DWN	Tyco Electronics EC K.K. Tochigi, Japan			
CHK		Tyco Electronics			
APVD	NAME	SRUDH-DM1,000B SPECIAL			
PRODUCT SPEC					
APPLICATION SPEC					
WEIGHT	SIZE	CAGE CODE	DRAWING NO	RESTRICTED TO	
	A3	00779	C= 1721440	-	
CUSTOMER DRAWING	SCALE	SHEET	REV		
	4:1	2 OF 2	A1		

4

3

2

1

D

D

C

C

B

B

A

A