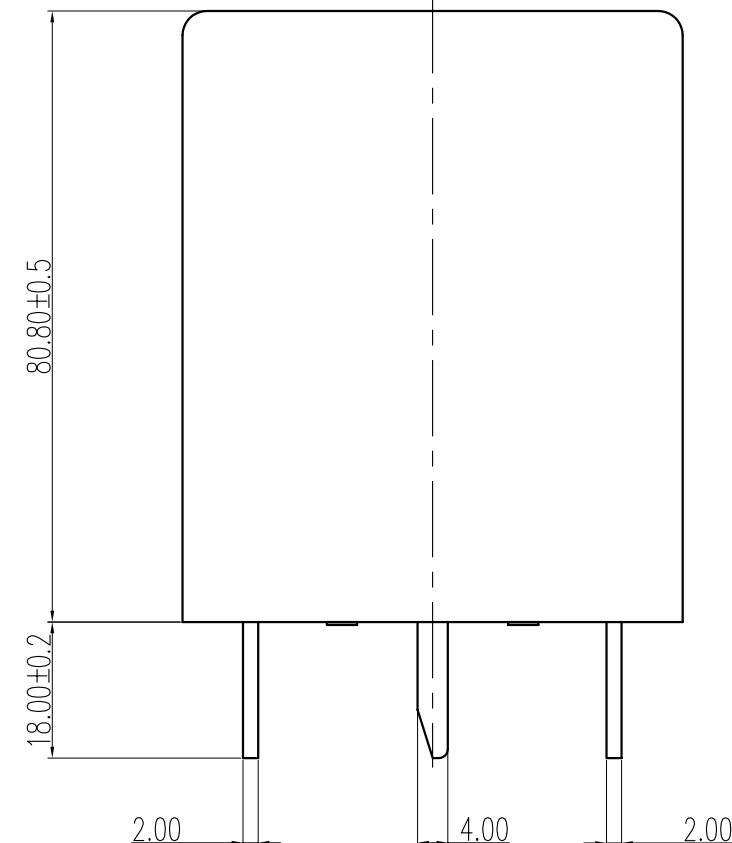
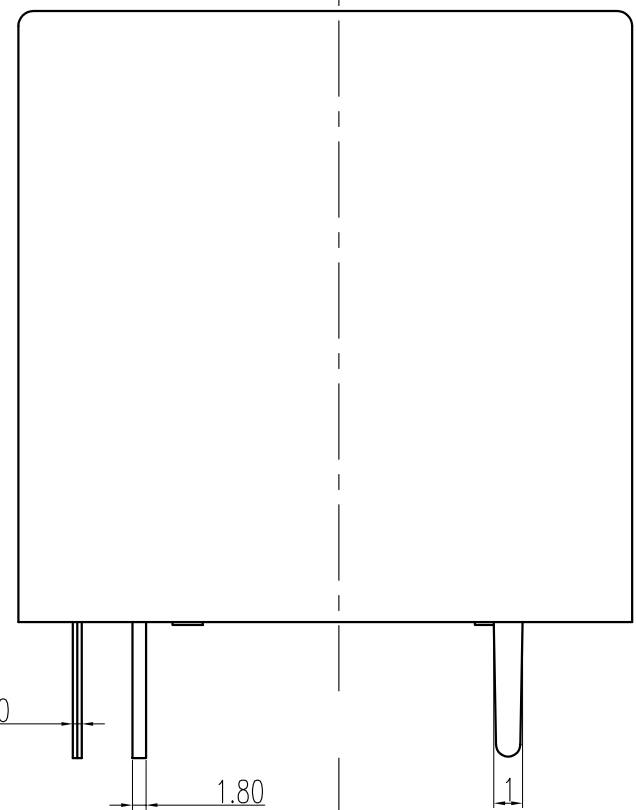
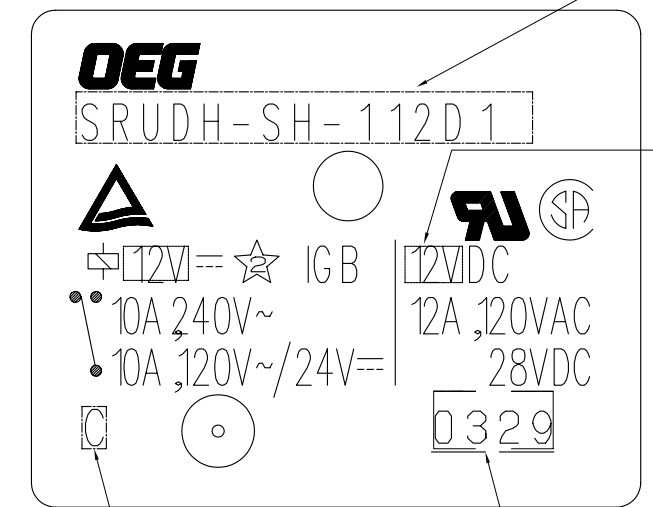


THIS DRAWING IS UNPUBLISHED. RELEASED FOR PUBLICATION
 © COPYRIGHT BY TYCO ELECTRONICS CORPORATION. ALL RIGHTS RESERVED.

LOC	DIST	REVISIONS						
HH		P	LTR	DESCRIPTION	ECO	DATE	DWN	APVD
			A	RELEASED		07-MAR-06	WJQ	AY



VIEW C



MADE IN CHINA

Lot Number

LOT No SYSTEM AS FOLLOW:

0529

WEEK
YEAR

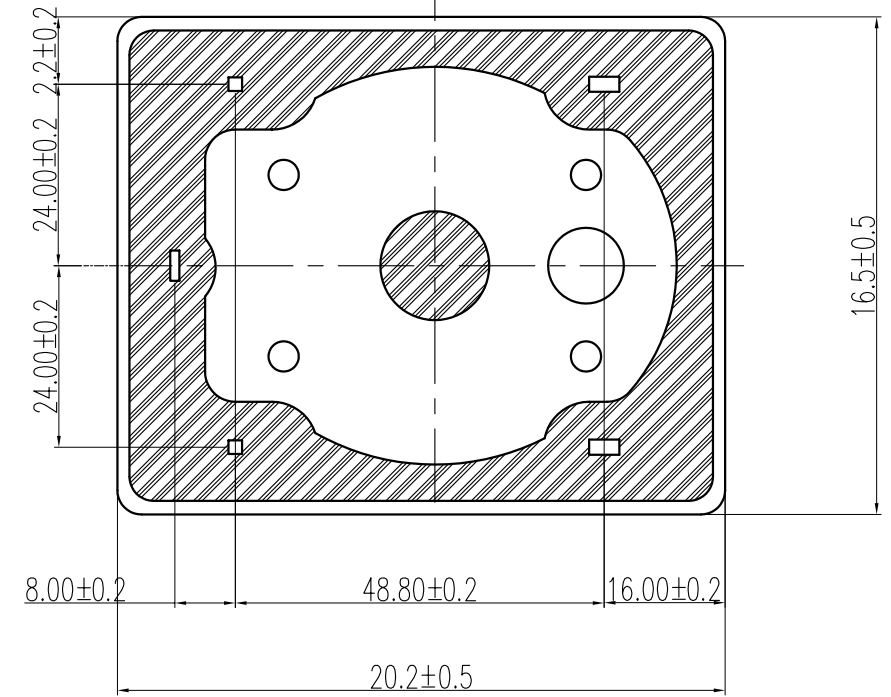


Diagram dimension 作図寸法	Tolerance 公差
0.99mm max.	±0.1mm
1 - 2.99mm	±0.2mm
3mm min.	±0.3mm

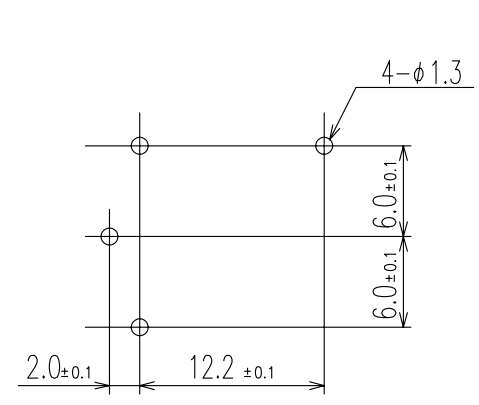
THIS DRAWING IS A CONTROLLED DOCUMENT FOR TYCO ELECTRONICS CORPORATION IT IS SUBJECT TO CHANGE AND THE CONTROLLING ENGINEERING ORGANIZATION SHOULD BE CONTACTED FOR THE LATEST REVISION.		DWN	Wang,Jianqiang		tyco Electronics	Tyco Electronics EC K.K.		
DIMENSIONS: mm		CHK	Yip,Anthony			Tochigi, Japan		
TOLERANCES UNLESS OTHERWISE SPECIFIED: 0 PLC ± 1 PLC ± 2 PLC ± 3 PLC ± 4 PLC ±		APVD	N,Funayama		SRUDH-SH-1**D1,000 CUSTOMER DRAWING			
MATERIAL SEE MATERIAL TABLE		PRODUCT SPEC	_____		SIZE	GAGE CODE	DRAWING NO	RESTRICTED TO
FINISH _____		APPLICATION SPEC	_____		A3	00079	8-1419126-1	
		WEIGHT	_____		SCALE	SHEET	REV	
					4:1	1 of 2	A	

8 7 6 5 4 3 2 1

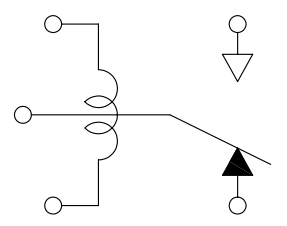
THIS DRAWING IS UNPUBLISHED. RELEASED FOR PUBLICATION
 © COPYRIGHT BY TYCO ELECTRONICS CORPORATION. ALL RIGHTS RESERVED.

LOC HH	DIST	REVISIONS						
		P	LTR	DESCRIPTION	ECN	DATE	DWN	APVD
			A	RELEASED		07-MAR-06	WJQ	AY

PC Board Layout(Bottom View)



CONNECTION DIAGRAM (BOTTOM VIEW)



9-1419126-4	SRUDH-SH-148D1	48V	SRUDH-SH-148D1,000	g
1440003-7	SRUDH-SH-124D1	24V	SRUDH-SH-124D1,000	f
8-1419126-1	SRUDH-SH-112D1	12V	SRUDH-SH-112D1,000	e
2-1419146-9	SRUDH-SH-109D1	9V	SRUDH-SH-109D1,000	d
7-1419126-7	SRUDH-SH-106D1	6V	SRUDH-SH-106D1,000	c
2-1419146-9	SRUDH-SH-105D1	5V	SRUDH-SH-105D1,000	b
2-1419146-7	SRUDH-SH-103D1	3V	SRUDH-SH-103D1,000	a
AMP PART NO	PART A	PART B	EC TYPE NAME	TYPE

RELAY TYPE

AR	AR	AR	AR	AR	AR	AR			2212B	SEAL (CASE & BASE)	13
AR									3UEW(φ0.04mm)	MAGNETIC WIRE(48V)	12
	AR								3UEW(φ0.05mm)	MAGNETIC WIRE(24V)	
		AR							3UEW(φ0.075mm)	MAGNETIC WIRE(12V)	
			AR						3UEW(φ0.085mm)	MAGNETIC WIRE(09V)	
				AR					3UEW(φ0.10mm)	MAGNETIC WIRE(06V)	
					AR				3UEW(φ0.11mm)	MAGNETIC WIRE(05V)	
						AR			3UEW(φ0.15mm)	MAGNETIC WIRE(03V)	
2	2	2	2	2	2	2			HCP WIRE(0.56mm)	COIL TERMINAL	11
1	1	1	1	1	1	1			AgCdO	B CONTACT	10
1	1	1	1	1	1	1			AgCdO	M CONTACT	9
1	1	1	1	1	1	1			AgCdO	MOVABLE CONTACT	8
1	1	1	1	1	1	1			C2680R-1/2H	B TERMINAL	7
1	1	1	1	1	1	1			C2680R-H	M TERMINAL	6
1	1	1	1	1	1	1			C5191R-H	MOVABLE SPRING	5
1	1	1	1	1	1	1	UL94V-0		PBT 5010GN6-30	BOBBIN	4
1	1	1	1	1	1	1			CSC C-CH1T or CH1	CORE	3
1	1	1	1	1	1	1		CuNi PLATING	SPCC-SB	ARMATURE	2
1	1	1	1	1	1	1		CuNi PLATING	SPCC-SB	YOKE	1
g	f	e	d	c	b	a	INCOMBUSTIBILITY	TREATMENT	MATERIAL	DESCRIPTION	ITEM

THIS DRAWING IS A CONTROLLED DOCUMENT FOR TYCO ELECTRONICS CORPORATION IT IS SUBJECT TO CHANGE AND THE CONTROLLING ENGINEERING ORGANIZATION SHOULD BE CONTACTED FOR THE LATEST REVISION.		DWN Wang,Jianqiang	Tyco Electronics EC K.K. Tochigi, Japan	
		CHK Yip,Anthony		
DIMENSIONS: mm		APVD N,Funayama	SRUDH-SH-1**D1,000 TYPE CUSTOMER DRAWING	
		PRODUCT SPEC		
TOLERANCES UNLESS OTHERWISE SPECIFIED: 0 PLC ± 1 PLC ± 2 PLC ± 3 PLC ± 4 PLC ±		APPLICATION SPEC		
MATERIAL SEE MATERIAL TABLE		FINISH	WEIGHT	SIZE A3 GAGE CODE DRAWING NO 8-1419126-1 SCALE 4:1 SHEET 2 of 2 REV A