



Features

- Semi-shielded construction
- Inductance range: 1 to 150 μ H
- Rated current up to 3.2 A
- AEC-Q200 qualified
- RoHS compliant* and halogen free**

Applications

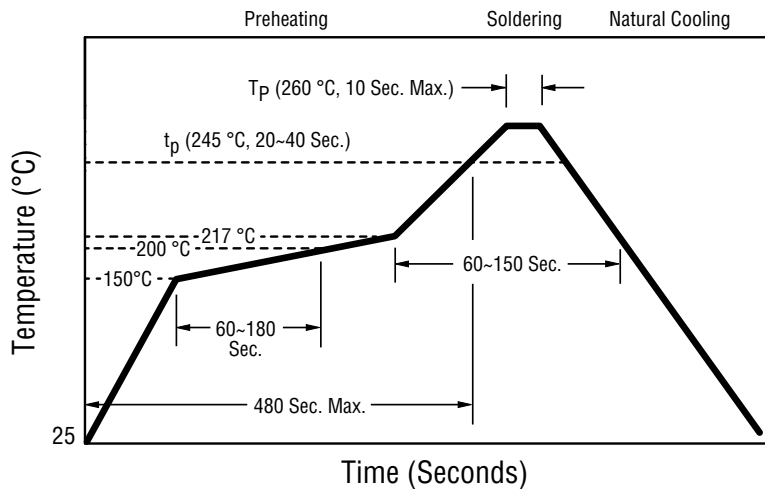
- Automotive systems:
 - Driver assistant
 - Infotainment
 - Lighting
- DC/DC converters
- Power supplies
- Digital video cameras
- HDDs
- Smartphones
- Televisions, LCD displays

SRN4018TA Series - Semi-shielded Power Inductors

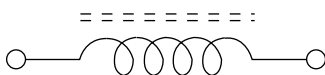
Electrical Specifications @ 25 °C

Bourns Part No.	Inductance @ 100 kHz / 1 V		Q (Min.) @ 100 kHz	SRF (MHz) Typ.	DCR (Ω) ± 20 %	I _{rms} (A)	I _{sat} (A)
	L (μ H)	Tol. %					
SRN4018TA-1R0M	1.0	± 20	10	145	0.027	3.2	4
SRN4018TA-1R2M	1.2	± 20	10	140	0.028	3	3.6
SRN4018TA-1R5M	1.5	± 20	10	115	0.032	2.7	3.3
SRN4018TA-2R2M	2.2	± 20	10	90	0.042	2.2	3
SRN4018TA-3R3M	3.3	± 20	10	72	0.055	2	2.3
SRN4018TA-4R7M	4.7	± 20	10	58	0.07	1.7	2
SRN4018TA-6R8M	6.8	± 20	10	46	0.098	1.45	1.6
SRN4018TA-100M	10	± 20	10	40	0.15	1.2	1.3
SRN4018TA-150M	15	± 20	10	30	0.23	0.9	1.1
SRN4018TA-220M	22	± 20	10	26	0.29	0.75	0.9
SRN4018TA-330M	33	± 20	10	20	0.405	0.65	0.7
SRN4018TA-470M	47	± 20	10	17	0.585	0.58	0.6
SRN4018TA-680M	68	± 20	10	15	0.89	0.48	0.52
SRN4018TA-101M	100	± 20	10	4	1.38	0.34	0.42
SRN4018TA-151M	150	± 20	10	4	1.97	0.27	0.31

Soldering Profile



Electrical Schematic



How to Order

SRN4018TA - 100M

Model _____
Value Code (see table) _____

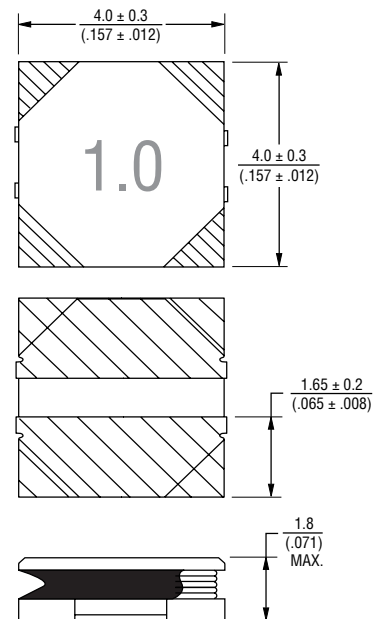
General Specifications

Operating Temperature -40 °C to +125 °C
 (Temperature rise included)
 Storage Temperature .. -40 °C to +125 °C
 Temperature Rise 40 °C at rated I_{rms}
 Rated Current
 Inductance drops 30 % at I_{sat}
 Failure In Time (FIT) 24.7/10⁹ hours
 Mean Time Between Failures (MTBF)
 40.4 x 10⁶ hours

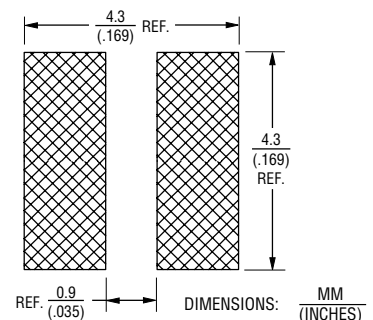
Materials

Core Ferrite
 Wire Enameled copper
 Terminal Finish Sn
 Coating Magnetic epoxy resin
 Packaging 3000 pcs. per 13-inch reel

Product Dimensions



Recommended Layout



*RoHS Directive 2002/95/EC Jan. 27, 2003 including annex and RoHS Recast 2011/65/EU June 8, 2011.

**Bourns considers a product to be "halogen free" if (a) the Bromine (Br) content is 900 ppm or less; (b) the Chlorine (Cl) content is 900 ppm or less; and (c) the total Bromine (Br) and Chlorine (Cl) content is 1500 ppm or less. Specifications are subject to change without notice.

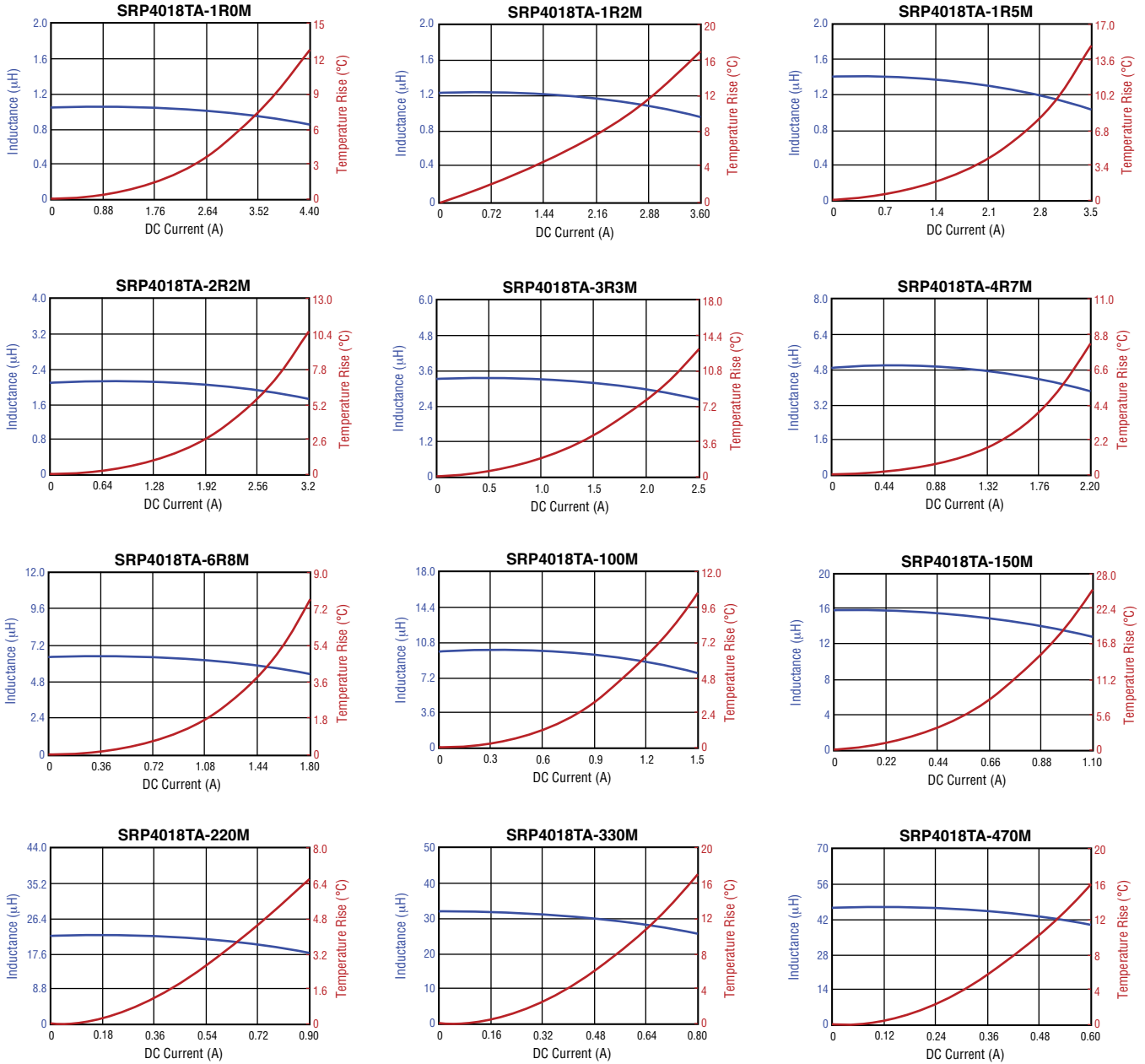
The device characteristics and parameters in this data sheet can and do vary in different applications and actual device performance may vary over time.

Users should verify actual device performance in their specific applications.

SRN4018TA Series - Semi-shielded Power Inductors

BOURNS®

Inductance vs. Current

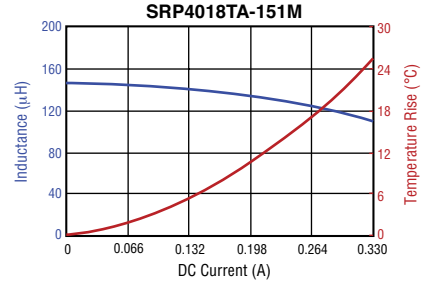
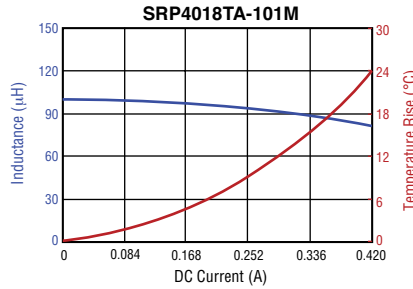
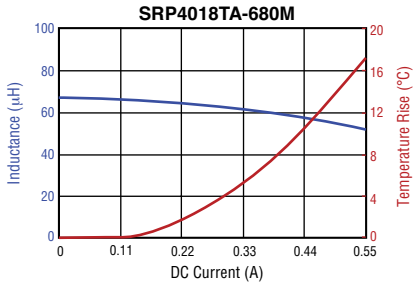


Specifications are subject to change without notice.
 The device characteristics and parameters in this data sheet can and do vary in different applications and actual device performance may vary over time.
 Users should verify actual device performance in their specific applications.

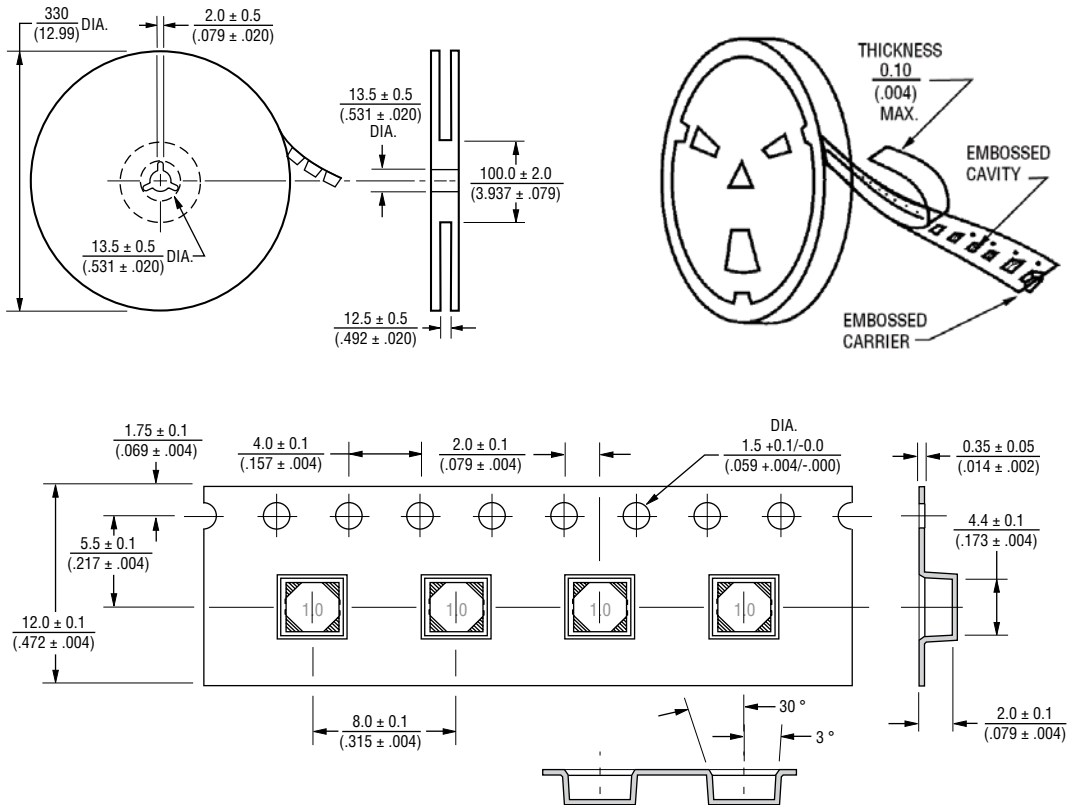
SRN4018TA Series - Semi-shielded Power Inductors

BOURNS®

Inductance vs. Current



Packaging Specifications



USER DIRECTION OF FEED →
QTY: 3000 PCS. PER REEL

DIMENSIONS: $\frac{\text{MM}}{\text{(INCHES)}}$