

AC Current Probe Model SR661



The Model SR661 is designed for use in industrial and utility environments. The unique ergonomic design allows it to easily clamp onto cables or small bus bars. It is built to the highest safety and performance standards including the CE Mark and is UL approved for Canada and United States.

Excellent transformation and low phase shift, plus a broad frequency response, permit accurate measurements of current for power and power quality measurements. The high quality magnetic cores and uniform windings provide sensitivity for very low level current measurements, as well as measurements up to 1200AAC. The Model SR661 provides an accurate voltage output of 1mV/A to 100mV. This voltage output enables instruments without current ranges to measure, display log currents through an AC voltage range or measure very low AC.

Features

- Measurement range of 100mA to 2000AAC
- Large jaw opening accommodates conductors up to two 500MCM conductors
- Ergonomic design and easy operation
- Conforms to EN 61010, 600V Cat. III safety standard
- Low phase shift for power measurements
- Available with mV output signals
- Designed for DMMs, recorders, loggers, oscilloscopes, power and harmonic meters
- UL approved for Canada and United States
- Double Insulation
- CE Mark

Applications

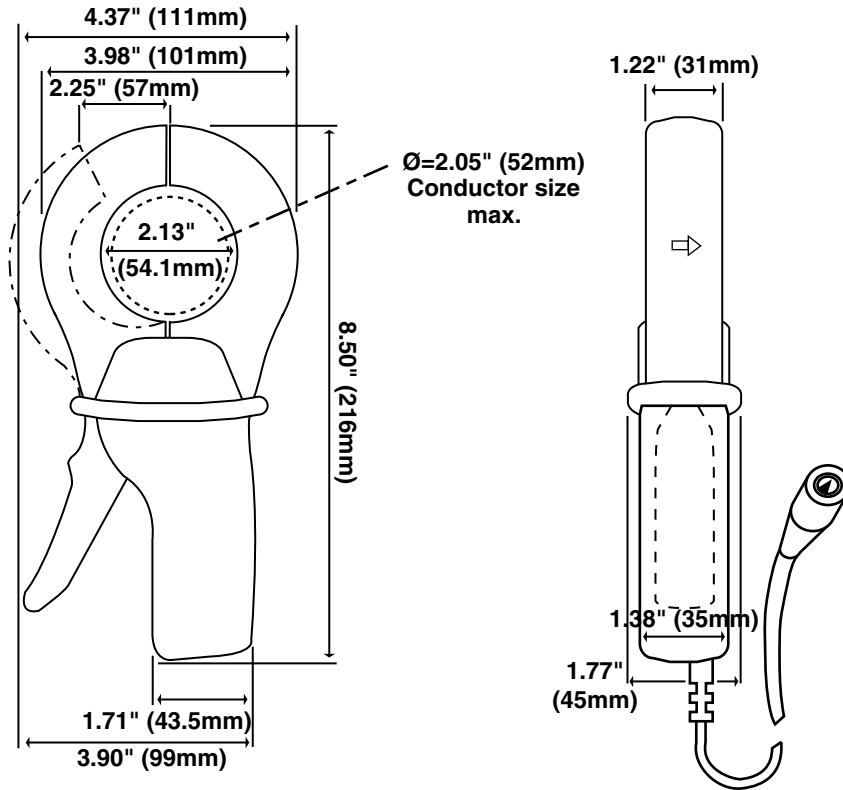
- Power quality measuring
- Low industrial loads
- Measuring around cable bundles
- Power load monitoring
- Waveform analysis

Specifications

MODEL	SR661
ELECTRICAL	
Nominal Range	20Apk, 200Apk, 2000Apk
Measurement Range	0.1 to 2000Apk
Transformation Ratio	Voltage output
Output Signal	mV output signal (2V Peak max), 3 range switch selectable on handle 100mV/A: 10mA to 20A Peak; 10mV/A: 0.1A to 200A Peak; 1mV/A: 1A to 2000A Peak
Accuracy (10A Range) 0.1 to 12A	≤3% ± 10mV
Phase Shift (10A Range) 0.1 to 0.5A	-
0.5 to 2A	-
2 to 10A	≤15°
10 to 12A	≤15°
Accuracy (100A Range) 0.1 to 120A	≤2% ± 5mV
Phase Shift (100A Range) 1 to 5A	-
5 to 20A	≤15°
20 to 100A	≤10°
100 to 120A	≤5°
Accuracy (1000A Range) 1 to 1200A	≤1% ± 1mV
Phase Shift (1000A Range) 1 to 50A	-
50 to 200A	≤3°
200 to 1000A	≤2°
1000 to 1200A	≤1°
Overload	12A and 120A continuous/1200A for 40 min ON, 20 min OFF
Frequency Range	1Hz to 100kHz (@ -3dB) See typical response curves
Load Impedance	1MΩ @ 47 pF
Working/Common Mode Voltage:	600V Cat. III
Output Termination	6.5 ft BNC
MECHANICAL	
Operating Temperature	-14° to 122°F (-10° to 50°C)
Storage Temperature	-4° to 158°F (-20° to 70°C)
Operating Relative Humidity	0 to 85% @ 35°C
Jaw Opening	2.25" (57mm) max
Maximum Conductor Size	2.05" (52mm)
Maximum Bus Bar Size	One 1.95 x 0.19" (50 x 5mm)
Dimensions	4.37 x 8.50 x 1.77" (111 x 216 x 45mm)
Weight	1.21 lbs (550g)
Polycarbonate Material	Handles: Polycarbonate + ABS, Gray, UL94 V0. Jaws: Polycarbonate, Red, UL94 V0
SAFETY	
Electrical	EN 61010-2-032
UL Approval	Yes – Canada and United States
Double Insulation <input type="checkbox"/>	Yes
CE Mark	Yes

Note: Reference conditions:

23 ± 3°K, 20 to 75% RH, 48 to 65Hz, external magnetic field <40A/m, no DC component, no external current carrying conductor, test sample centered. Load impedance 1φ Z @47pf.



Lead with BNC:
 Insulated 6.5 ft (2m) coaxial cable with insulated BNC connector rated 600Vrms

ORDERING INFORMATION

CATALOG NO.

AC Current Probe Model SR661 (BNC – 100mV/A – 10A; 10mV/A – 100A; 1mV/A – 1000A max).....**Cat. #2113.49**

Includes a user manual

Accessories (Optional)

Banana (Female) – BNC (Male) Adaptor **Cat. #2118.46**