

# Low-profile Lever Type Detector Switch

SPVR Series

Compact, low profile, highly reliable type with 3.6×4.2×1.2 (H) mm for through-operations in the lateral directions.

Power
Push
Slide
Rotary
Encoders
<b>Detector</b>
Dual-in-line Package Type
Multi Control Devices
TACT
Custom-Products



## Features

- Two-way operation from the horizontal and the vertical direction is possible.
- Through-operation available.
- Small size and thin type of 3.6mm in width, 4mm in length, and 1.2mm in height.
- Reflow soldering type.
- Double-sided sliding contact provides high reliability.

## Applications

- For detection mechanism in devices, including DSCs, video cameras, and portable audio players
- For detecting the lids of DSCs, and laptop computers

## Typical Specification

Items		Specifications
Rating (max.) (Resistive load)		1mA 5V DC
Contact resistance (Initial performance/After lifetime)		3Ω max./5Ω max.
Operating force		0.35N max.
Operating life	Without load	50,000 cycles
	With load	50,000 cycles (1mA 5V DC)

## Products Line

Poles	Positions	Total travel (mm)	Terminal style	Location lug	Minimum packing unit (pcs.)	Products No.
1	1	1.8	For PC board (Reflow)	With	2,500	SPVR110100
				Without		SPVR120100

For other detailed specifications, see P.303

**Dimensions**

Unit:mm

Style	PC board mounting hole dimensions (Viewed from direction A)

Power

Push

Slide

Rotary

Encoders

**Detector**

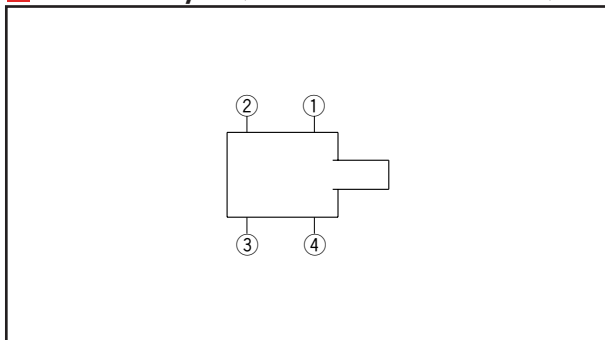
Dual-in-line  
Package Type

Multi Control  
Devices

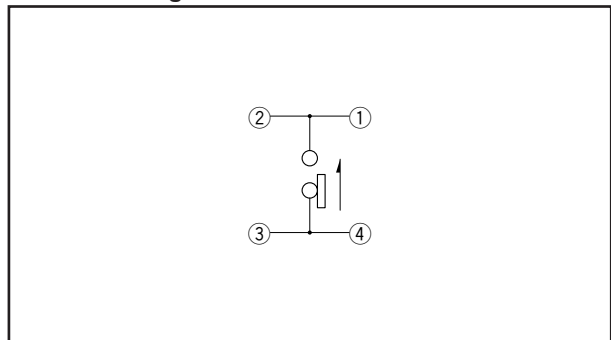
TACT

Custom-  
Products

**Terminal Layout (Viewed from Direction A)**



**Circuit Diagram**



**Note**

Only the configurations with the Location lug are indicated in the dimensions.

# Products Specifications

Items		Series										
		SPPB	SPVE	SPPW8	SPVM	SPVR	SPVP	SPVN	SPVG	SPVL	SSCM	
Operating temperature range		-10°C to +60°C										
Rating (max.) (Resistive load)		0.1A 30V DC	0.1A 12V DC	0.1A 30V DC	1mA 5V DC				50mA 20V DC	1mA 5V DC		
Electrical performance	Initial contact resistance	1 Ω max.	500mΩ max.	1 Ω max.	2 Ω max.	3 Ω max.	5 Ω max.	2 Ω max.	500mΩ max.	2 Ω max.		
	Insulation resistance	100MΩ min. 100V DC										
	Voltage proof	100V AC for 1 min.										
Mechanical performance	Robustness of terminal	3N for 1 min.	0.5N for 1 min.	3N for 1 min.	1N for 1 min.	0.5N for 1 min.			1N for 1 min.	0.5N for 1 min.		
	Robustness of actuator	10N	5N	10N	5N	2N	5N	10N	5N	0.5N		
	Vibration	10 to 55 to 10Hz/min., the amplitude is 1.5mm for all the frequencies, in the 3 direction of X, Y and Z for 2 hours respectively										
	Resistance to soldering heat	Manual soldering	300±5°C, 5s max.	350±5°C, 3s max.								
		Dip soldering	260±5°C, 5±1s	—	255±5°C, 5±1s	—						
Reflow soldering		Please see P.306										
Durability	Operating life without load	50,000 cycles 2Ω max.	50,000 cycles 1Ω max.	100,000 cycles 2Ω max.	50,000 cycles 5Ω max.	50,000 cycles 10Ω max.	50,000 cycles 5Ω max.	100,000 cycles 1Ω max.	50,000 cycles 5Ω max.			
	Operating life with load	(0.1A 30V DC) 50,000 cycles 2Ω max.	(0.1A 12V DC) 50,000 cycles 1Ω max.	(0.1A 30V DC) 100,000 cycles 2Ω max.	(1mA 5V DC) 50,000 cycles 5Ω max.	(1mA 5V DC) 50,000 cycles 10Ω max.	(1mA 5V DC) 50,000 cycles 5Ω max.	(50mA 20V DC) 100,000 cycles 1Ω max.	(1mA 5V DC) 50,000 cycles 5Ω max.			
Environmental performance	Cold	-20±2°C for 96h	-25±2°C for 96h	-20±2°C for 96h				-40±2°C for 96h	-20±2°C for 96h			
	Dry heat	85±2°C for 96h										
	Damp heat	40±2°C, 90 to 95%RH for 96h										

Power

Push

Slide

Rotary

Encoders

**Detector**

Dual-in-line  
Package Type

Multi Control  
Devices

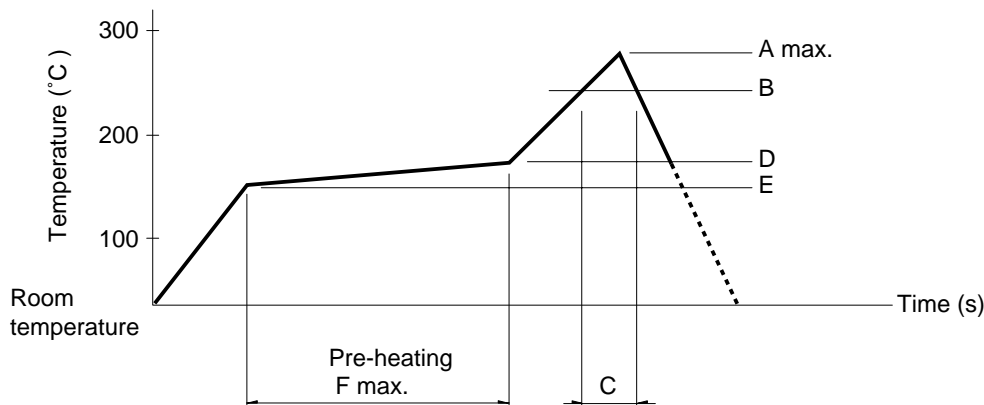
TACT

Custom-  
Products

## Soldering Conditions

### Example of Reflow Soldering Condition

1. Heating method: Double heating method with infrared heater.
2. Temperature measurement: Thermocouple 0.1 to 0.2  $\phi$  CA (K) or CC (T) at soldering portion (copper foil surface). A heat resisting tape should be used for fixed measurement.
3. Temperature profile



Series (Reflow type)	A (°C) 3s max.	B (°C)	C (s)	D (°C)	E (°C)	F (s)
SPPB	250	230	40	180	150	120
SPVE	260					
SPPW8	250	200	20			
SPVM	260	230	40			
SPVR						
SPVP						
SPVN						
SPVG	240		20	150	Room Temperature	180
SPVL						
SSCM						
SPPY5	240		20	150	Room Temperature	180

### Notes

1. The condition mentioned above is the temperature on the mounting surface of a PC board. There are cases where the PC board's temperature greatly differs from that of the switch, depending on the PC board's material, size, thickness, etc. The above-stated conditions shall also apply to switch surface temperatures.
2. As the conditions vary some how depending on the kind of reflow soldering equipment, please make sure you have the right one before use.

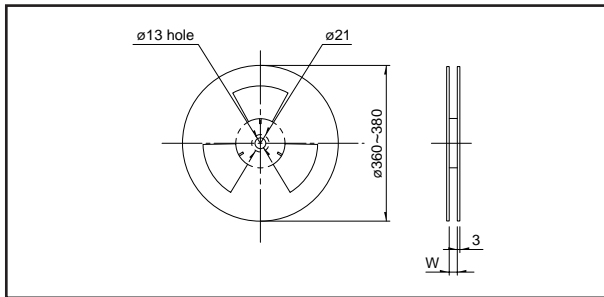
- Power
- Push
- Slide
- Rotary
- Encoders
- Detector**
- Dual-in-line Package Type
- Multi Control Devices
- TACT
- Custom-Products

# Taping Specifications

## Taping Packaging

Reel Size

Unit:mm



Series		Number of packages (pcs.)			Reel width W (mm)	Tape width (mm)	
		1 reel	1 case / domestic	1 case / export packing			
SPPB	53 (Horizontal)	1,500	3,000	6,000	24.4	24	
	53 (Vertical)	600	1,200	2,400			
	63, 64	1,300	2,600	5,200			
SPVE	Standard	h=3.8	2,800	5,600	12.4	12	
		h=4.1					
		h=4.8	2,200	4,400			
		h=5.2	2,000	4,000			
		h=5.5					
	Low-profile	h=3.3	2,800	5,600			22,400
		h=4.75	2,000	4,000			16,000
SPPW81	h = 6.1 (Reflow)	1,000	2,000	4,000	24.4	24	
	h = 6.55 (Reflow)						
	h = 7.6 (Reflow)						850
SPVM		3,000	6,000	12,000	16.4	16	
SPVR		2,500	5,000	10,000			
SPVP		4,500	9,000	18,000			
SPVN		5,000	10,000	20,000			
SPVG		2,500	5,000	10,000			
SPVL		5,000	10,000	20,000			
SSCM		3,000	6,000	12,000			
SPPY5		550	1,650	3,300			44.4

**Note**

Order products in N minimum packing units (1 reel or 1 case).

Power

Push

Slide

Rotary

Encoders

**Detector**

Dual-in-line Package Type

Multi Control Devices

TACT

Custom-Products