

### ACCESSORIES

### SP RELAYS TERMINAL SOCKETS



### TYPES

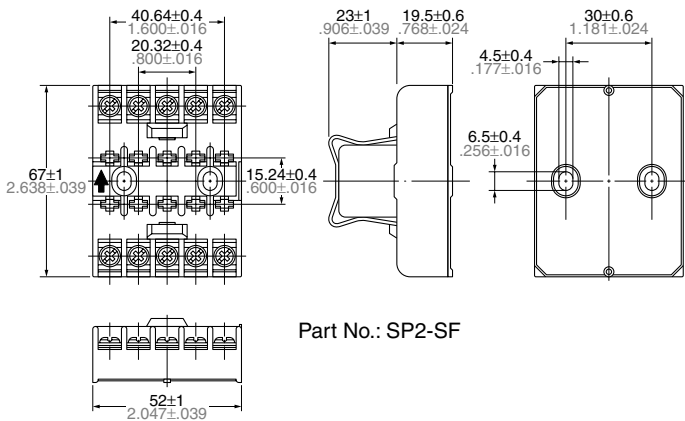
Product name	Part No.
SP2 Terminal socket	SP2-SF
SP4 Terminal socket	SP4-SF

### DIMENSIONS (mm inch)

The CAD data of the products with a **CAD Data** mark can be downloaded from: <http://industrial.panasonic.com/ac/e/>

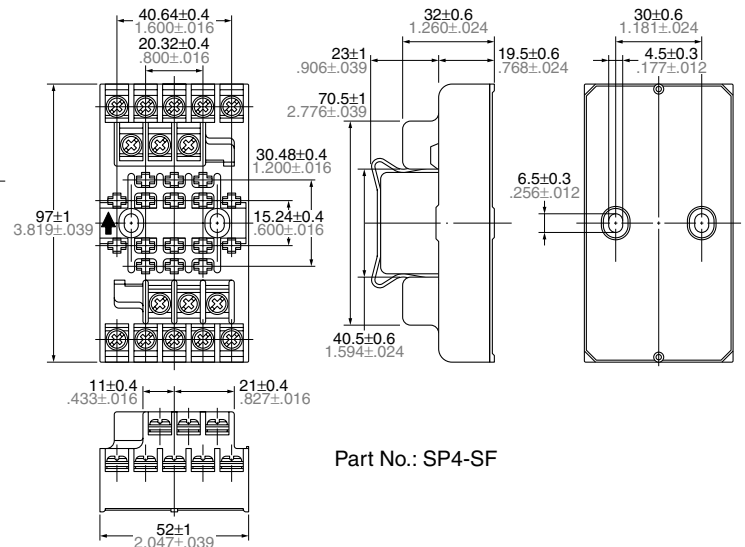
#### SP2 Terminal socket

**CAD Data**



#### SP4 Terminal socket

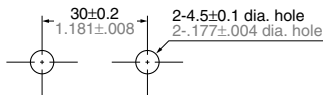
**CAD Data**



Note: Terminal number marking is on the socket body. Please refer together with the SP relay schematic.

General tolerance:  $\pm 0.5 \pm 0.20$

### Mounting hole diagram



Notes:

- (1) Mounting screws and the fastening bracket are included in the package.
- (2) Mount the relay with the proper mounting direction — i.e. with the direction of the **M** mark on top of the relay case matching the direction of the **M** mark on the terminal block. (The **U** direction of the terminal block is the upward direction of the relay.)

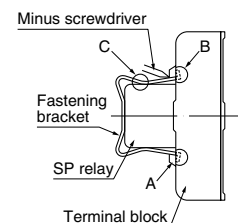
### Fastening bracket mounting and removal

#### 1. Mounting

Insert the A part of the fastening bracket into the mounting groove of the terminal block, and then fit the B part into groove, while pressing with the tip of a minus screwdriver.

#### 2. Removal

Slide the B part of the fastening bracket from the groove in the terminal block, while pressing with the tip of a minus screwdriver. While the bracket is in this position, keep pressing the C part of the bracket to the relay side with your finger, and lift up to the left side and remove from the groove, as in the diagram at right.



## ACCESSORIES

# SP RELAYS MOUNTING BOARD

## TYPES

Product name	Part No.
Mounting board	SP-MA

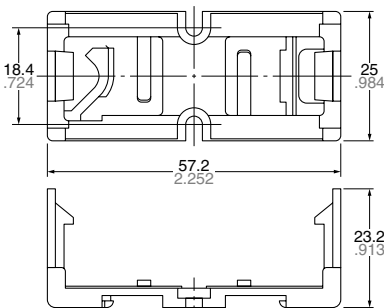


Direct chassis mounting possible, and applicable to DIN rail.

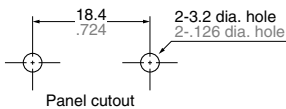
## DIMENSIONS (mm inch)

The CAD data of the products with a **CAD Data** mark can be downloaded from: <http://industrial.panasonic.com/ac/e/>

### CAD Data



## Mounting hole diagram

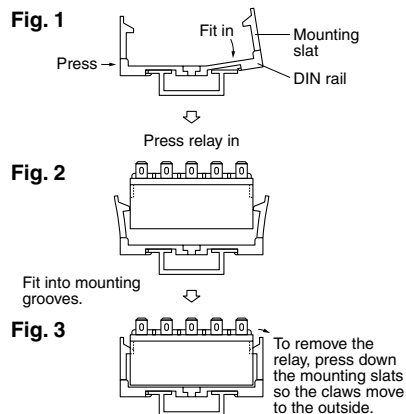


Tolerance:  $\pm 0.1 \pm 0.004$

## Use method

- Both the SP relay 2 Form C and 4 Form C can be mounted to the mounting slats.
- Use the mounting slats either by attaching them directly to the chassis, or by mounting with a DIN rail.
  - When attaching directly to chassis
    - Use two M3 screws.
    - For the mounting pitch, refer to the specification diagram.
  - When mounting on a DIN rail
    - Use a 35mm 1.378inch wide DIN rail (DIN46277).
    - The mounting method should be as indicated in the diagram at right.

## Method for mounting on DIN rail



- First fit the arc shaped claw of the mounting slat into the DIN rail.
- Press on the side as shown in the diagram below.
- Fit in the claw part on the opposite side.

## Precautions for use

When mounting to a DIN rail, use a commercially available fastening bracket if there is a need to stop sliding of the mounting slat in the rail direction.