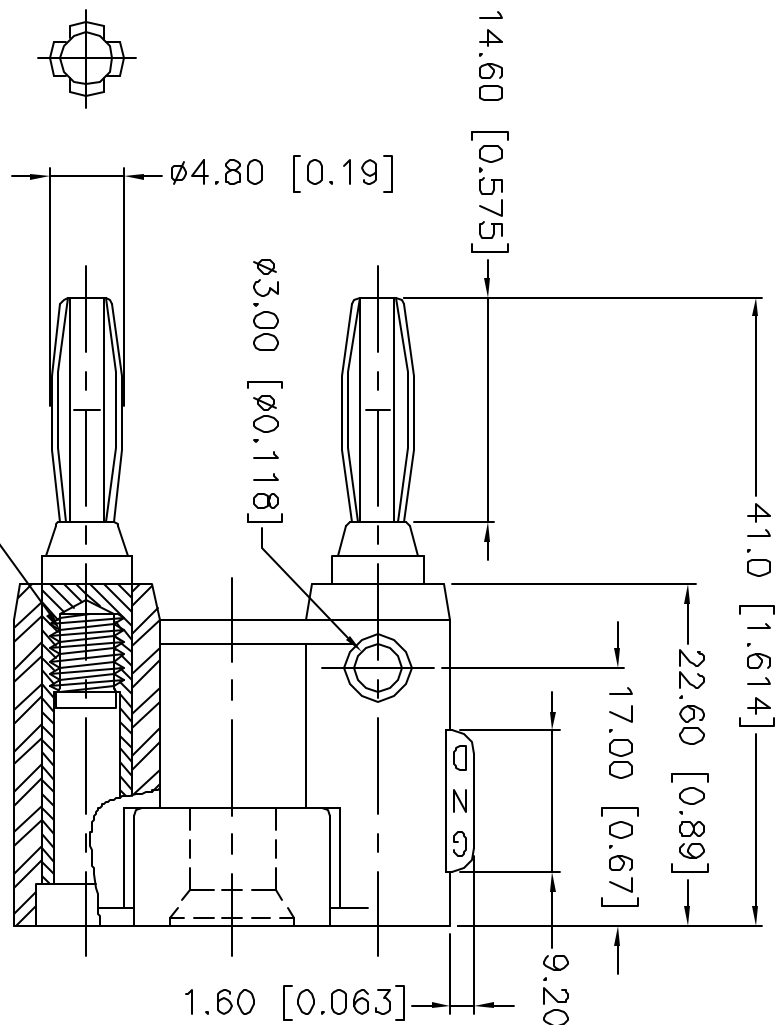


ALL RIGHTS RESERVED. NO PORTION OF THIS PUBLICATION, WHETHER IN WHOLE OR IN PART CAN BE REPRODUCED WITHOUT THE EXPRESS WRITTEN CONSENT OF SPC TECHNOLOGY.

REVISIONS		DOC. NO.	SPC-FR005	Effective	12/21/08	DCP No	890	
DCP #	REV	DESCRIPTION	DRAWN	DATE	CHECKED	DATE	APPROVD	DATE
1959	A	RELEASED	JIN	09/23/08	JWM	09/23/08	JWM	09/23/08



#8-32 UNC

Material:

- Banana Jack: Brass, Nickel-Plated
- Screw: Brass, Nickel-Plated
- Banana Plug: Prospor Bronze, Nickel-Plated
- Body: PE - Black

DISCLAIMER:  
ALL STATEMENTS AND TECHNICAL INFORMATION CONTAINED HEREIN ARE BASED UPON INFORMATION AND/OR TESTS WE BELIEVE TO BE ACCURATE AND RELIABLE. SINCE CONDITIONS OF USE ARE BEYOND OUR CONTROL, THE USER SHALL DETERMINE THE SUITABILITY OF THE PRODUCT FOR THE INTENDED USE AND ASSUME ALL RISK AND LIABILITY WHATSOEVER IN CONNECTION THEREWITH.

Tolerances Unless Otherwise Specified:  
.X=±0.20 [.008]  
.XX=±0.12 [.005]

DRAWN BY:	Jason Nash	DATE:	09/23/08
CHECKED BY:	JWM	DATE:	09/23/08
APPROVED BY:	JWM	DATE:	09/23/08

**SPC TECHNOLOGY**

DRAWING TITLE:		Dual Banana Plug - Black	
SIZE	DWG. NO.	ELECTRONIC FILE	REV
A	SPC20523	02M2072.dwg	A
SCALE:	NTS	U.O.M.: Millimeters [Inches]	SHEET: 1 OF 1