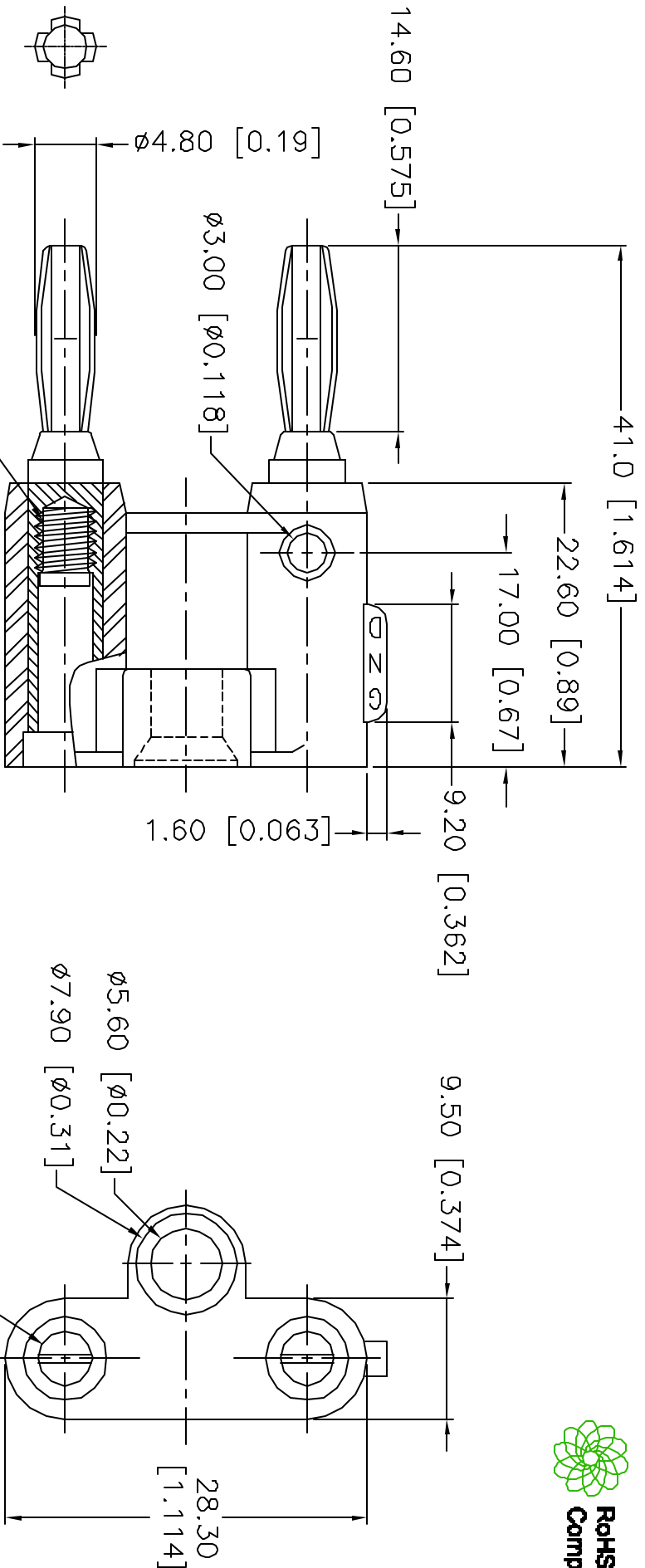


| REVISIONS | | DOC. NO. SPC-F003 | Effective 7/8/02 | DCP No 1398 | | | | |
|-----------|-----|-------------------|------------------|-------------|--------|----------|--------|----------|
| DCP # | REV | DESCRIPTION | DRAWN | DATE | CHECKD | DATE | APPRVD | DATE |
| 1959 | A | RELEASED | JIN | 09/23/08 | JWM | 09/23/08 | JWM | 09/23/08 |



- #8-32 UNC
- Material:
1. Banana Jack: Brass, Nickel-Plated
 2. Screw: Brass, Nickel-Plated
 3. Banana Plug: Proosphor Bronze, Nickel-Plated
 4. Body: PE - Red

DISCLAIMER:
ALL STATEMENTS AND TECHNICAL INFORMATION CONTAINED HEREIN ARE BASED UPON INFORMATION AND/OR TESTS WE BELIEVE TO BE ACCURATE AND RELIABLE. SINCE CONDITIONS OF USE ARE BEYOND OUR CONTROL, THE USER SHALL DETERMINE THE SUITABILITY OF THE PRODUCT FOR THE INTENDED USE AND ASSUME ALL RISK AND LIABILITY WHATSOEVER IN CONNECTION THEREWITH.

TOLERANCES: Unless Tolerances Specified: Otherwise Specified:
.X = ±0.20 [.008]
.XX = ±0.12 [.005]

| | | | |
|---------------------|------------|--------------|----------|
| DRAWN BY: | Jason Nash | DATE: | 09/23/08 |
| CHECKED BY: | JWM | DATE: | 09/23/08 |
| APPROVED BY: | JWM | DATE: | 09/23/08 |

| | | | |
|-----------------------|-----------------|-------------------------------------|----------------------|
| DRAWING TITLE: | | Dual Banana Plug - Red | |
| SIZE | DWG. NO. | ELECTRONIC FILE | REV |
| A | SPC20522 | 02M2071.dwg | A |
| SCALE: | NTS | U.O.M.: Millimeters [Inches] | SHEET: 1 OF 1 |