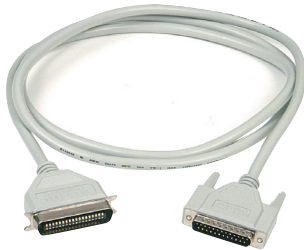


IEEE 1284 Printer Cable



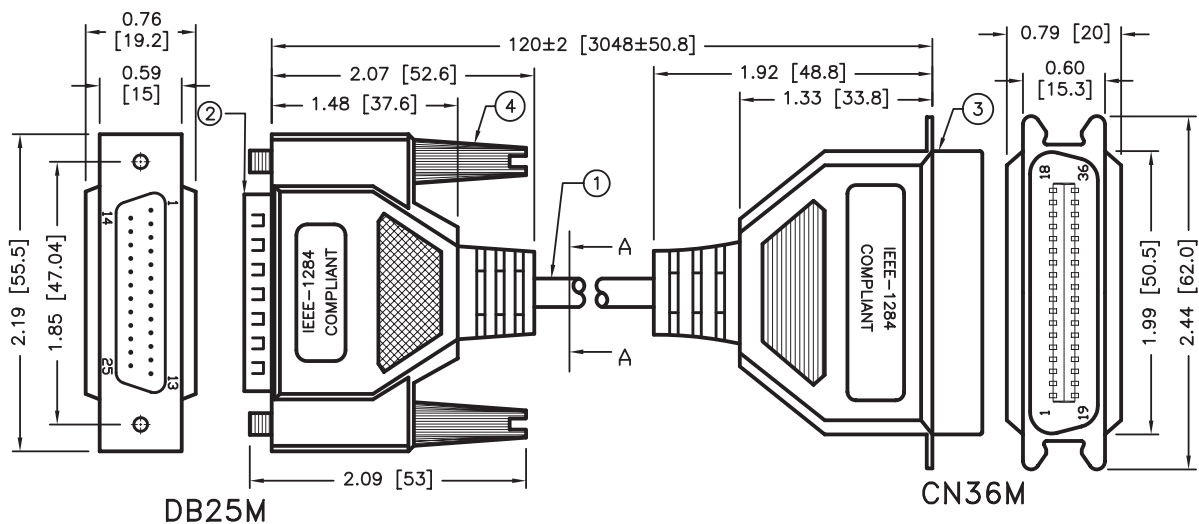
Specifications:

Molded Connector End Requirements:

- Inner Mold using PE
- Copper Foil Wrap and 360° solder to Connector
- PVC – 45P, Platinum Gray

Cable:

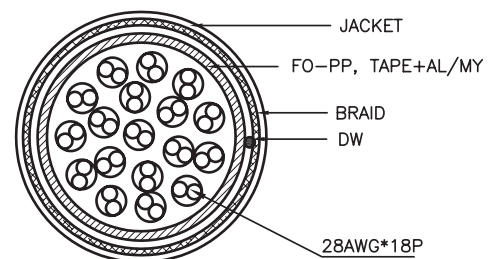
- [28AWG(7/0.127) × 18P + FO-PP
- TAPE + AL/MY + DW(7/0.163) + 85%BD(24/8/0.12)]TIN
- Insulation: PP, OD = $\varnothing 0.63 \pm 0.05\text{mm}$
- Colour: P1 Colour Code
- Jacket: 80°C PVC, OD = $\varnothing 8 \pm 0.2\text{mm}$
- Colour: Platinum Gray



Dimensions : Inches (Millimeters)

Item#	Part Names	Qty
①	Cable: IEEE 1284 18P + 1	1Pcs
②	Connector: DB25P Male Nickel-Plating, Insulator Colour: Blue	1Pcs
③	Connector: CN36P Male Nickel-Plating, Insulator Colour: Blue	1Pcs
④	Thumbscrew: Male 4 × 47mm Nickel-Plating	2Pcs

Insulation: Upon 1M Ω and 1M Ω Electric Conduction: Inside 1.5K Ω



Section A-A



Pinouts

DB25 Male	Wire Colour	CN36 Male	DB25 Male	Wire Colour	CN36 Male
1	Black	1	19	Brown/Black	20
2	Brown	2	19	Red/Black	21
3	Red	3	20	Orange/Black	22
4	Orange	4	20	Yellow/Black	23
5	Yellow	5	21	Green/Black	24
6	Green	6	21	Blue/Black	25
7	Blue	7	22	Purple/Black	26
8	Purple	8	22	White/Black	27
9	White	9	24	Gray/Black	28
10	Gray	10	23	Pink/white	29
11	Pink/Red	11	24	Orange/White	28
12	Orange/Red	12	24	Yellow/White	28
13	Yellow/Red	13	25	Light-Green/Black	30
14	Light-Green	14	25	Light-Blue/Black	30
16	Light-Blue	31	23	Red/White	29
15	White/Red	32	25	Pink/Black	30
17	Pink	36	N/C	Gray/Red & Gray/White	N/C
18	Black/White	19	Shell		Shell

Part Number Table

Description	Part Number
IEEE 1284 Printer Cable, 10 Ft, DB25P M/CN36P M	SPC20026

Important Notice : This data sheet and its contents (the "Information") belong to the members of the Premier Farnell group of companies (the "Group") or are licensed to it. No licence is granted for the use of it other than for information purposes in connection with the products to which it relates. No licence of any intellectual property rights is granted. The Information is subject to change without notice and replaces all data sheets previously supplied. The Information supplied is believed to be accurate but the Group assumes no responsibility for its accuracy or completeness, any error in or omission from it or for any use made of it. Users of this data sheet should check for themselves the Information and the suitability of the products for their purpose and not make any assumptions based on information included or omitted. Liability for loss or damage resulting from any reliance on the Information or use of it (including liability resulting from negligence or where the Group was aware of the possibility of such loss or damage arising) is excluded. This will not operate to limit or restrict the Group's liability for death or personal injury resulting from its negligence. Multicomp is the registered trademark of the Group. © Premier Farnell plc 2012.