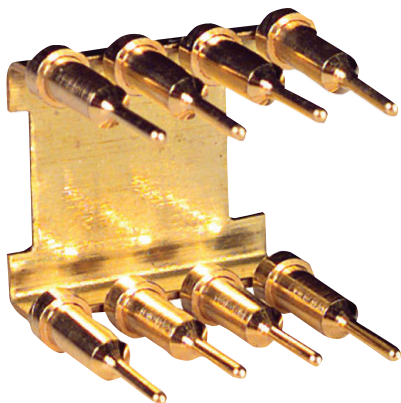


Socket Pin Terminals

With Disposable Carrier Assemblies

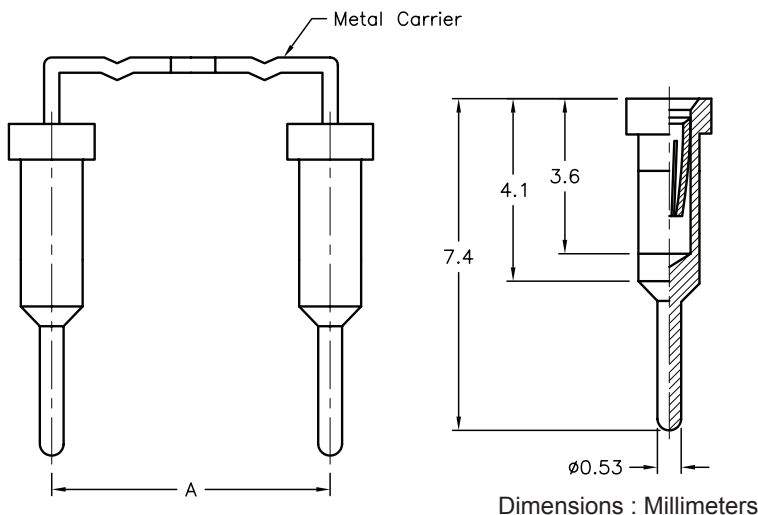
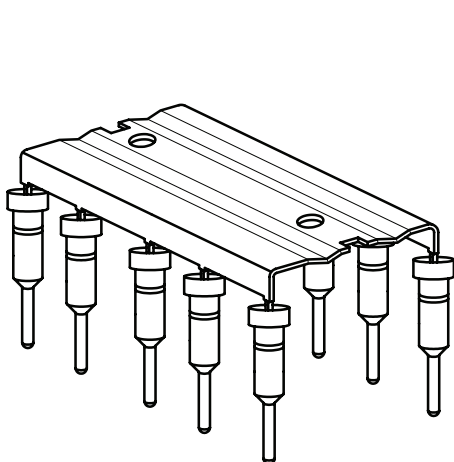


Specifications:

Current : 3A
 Voltage : 100V RMS / 150V DC
 Contact Resistance : 40mΩ Max.

Material:

Sleeve : Turned Brass, Flash Copper, Nickel 2µm to 3µm, Gold 5µm
 Clip : Beryllium-Copper, Nickel 2µm to 3µm, Gold 0.25µm
 Insertion Depth : 2.4mm Min. to 3.9mm max.
 Insertion Diameter : 0.4mm Min. to 0.56mm Max.
 Mechanical Life : 100 Cycles
 Temperature Range : -40°C to +105°C, 260°C for 10 Sec.



Part Number Table

Description	Position	A	Part Number
Socket Pin Terminal, Disposable Carrier, Gold / Gold	8	7.62	SPC15506
	14		SPC15507
	16		SPC15508
	24	15.24	SPC15509
	40		SPC15510

Important Notice : This data sheet and its contents (the "Information") belong to the members of the Premier Farnell group of companies (the "Group") or are licensed to it. No licence is granted for the use of it other than for information purposes in connection with the products to which it relates. No licence of any intellectual property rights is granted. The Information is subject to change without notice and replaces all data sheets previously supplied. The Information supplied is believed to be accurate but the Group assumes no responsibility for its accuracy or completeness, any error in or omission from it or for any use made of it. Users of this data sheet should check for themselves the Information and the suitability of the products for their purpose and not make any assumptions based on information included or omitted. Liability for loss or damage resulting from any reliance on the Information or use of it (including liability resulting from negligence or where the Group was aware of the possibility of such loss or damage arising) is excluded. This will not operate to limit or restrict the Group's liability for death or personal injury resulting from its negligence. Multicomp is the registered trademark of the Group. © Premier Farnell plc 2012.

