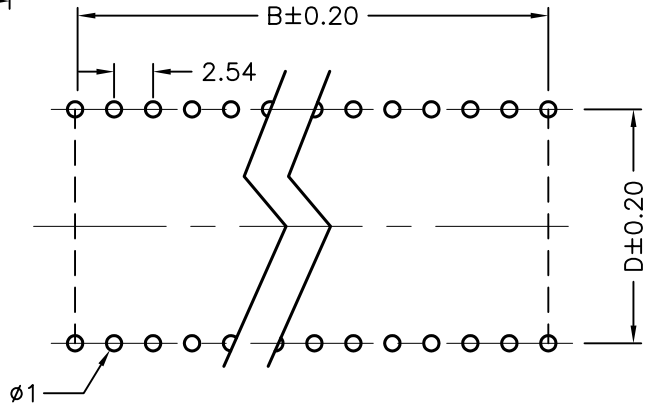
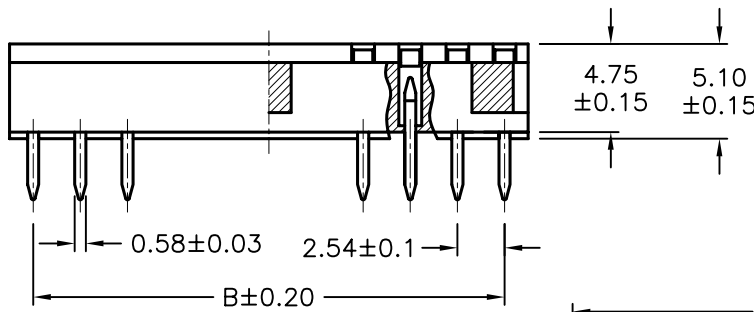
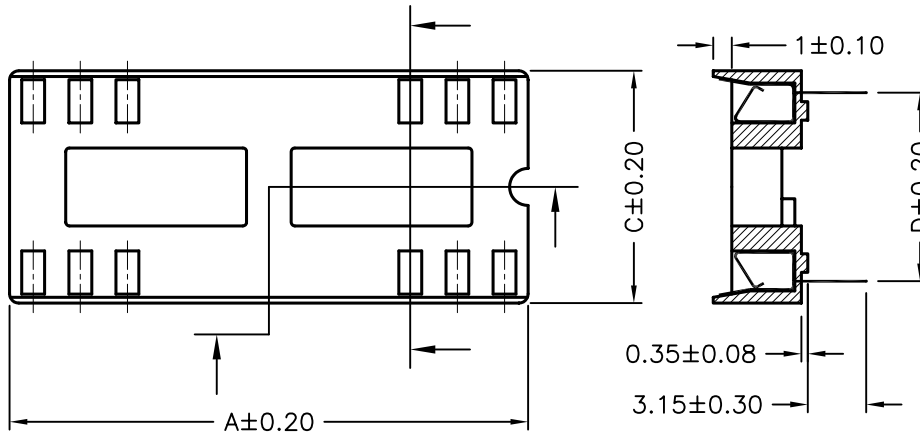


DCP #	REV	DESCRIPTION	DRAWN	DATE	CHECKD	DATE	APPRVD	DATE
1878	A	RELEASED	EO	7/12/06	YA	7/12/06	HO	7/12/06



PCB LAYOUT

MATERIAL:

- Contact: Phosphor Bronze thickness 0.15mm
- Contact Plating, Tin plated 60u" ~ 80u" (Lead free plating)
- Insulator: PBT-4830, UL94V-0

SPECIFICATIONS:

- Current Rating: 1A
- Dielectric withstanding Voltage: 1000v RMS/minute
- Insulator resistance: 5000 Megohms min.
- Contact resistance: 20 milliohms initial 30 milliohms after test.
- Operating temperatures: -25°C to 85°C
- Insertion Force: 340g(12 oz) Max. per contact.
- Withdrawal Force: 80g(2.82 oz) Min. per contact

SPC Type No.	Number Of Pins	Dimensions			
		A	B	C	D
SPC15556	6	7.62	5.08	10.16	7.62
SPC15494	8	10.16	7.62		
SPC15496	14	17.78	15.24		
SPC15498	16	20.32	17.78		
SPC15500	18	22.86	20.32		
SPC15501	20	25.40	22.86		
SPC15503	24	30.48	27.94	17.78	15.24
SPC15504	28	35.56	33.02		
SPC15557	32	40.64	38.10		
SPC15505	40	50.80	48.26		
SPC15558	48	60.96	58.42		

SPC-F004.DWG

TOLERANCES: UNLESS OTHERWISE SPECIFIED, DIMENSIONS ARE FOR REFERENCE PURPOSES ONLY.	DRAWN BY:	DATE:	DRAWING TITLE:				
	EKLAS ODISH	7/12/06	PCB DIP Socket, Stamped, Dual Wipe Contact, 2.54 Pitch				
	CHECKED BY:	DATE:	SIZE	DWG. NO.	ELECTRONIC FILE	REV	
	YILMAZ AKYONDEM	7/12/06	A	TA-777	TA-777.DWG	A	
APPROVED BY:	DATE:	SCALE: NTS		U.O.M.: millimeters		SHEET: 1 OF 1	
HISHAM ODISH	7/12/06						