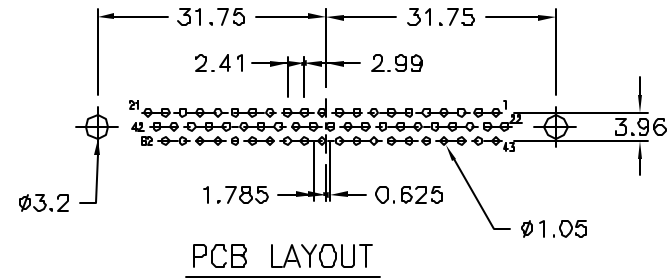
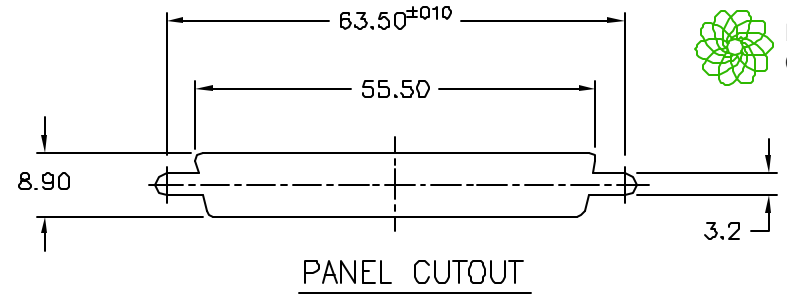
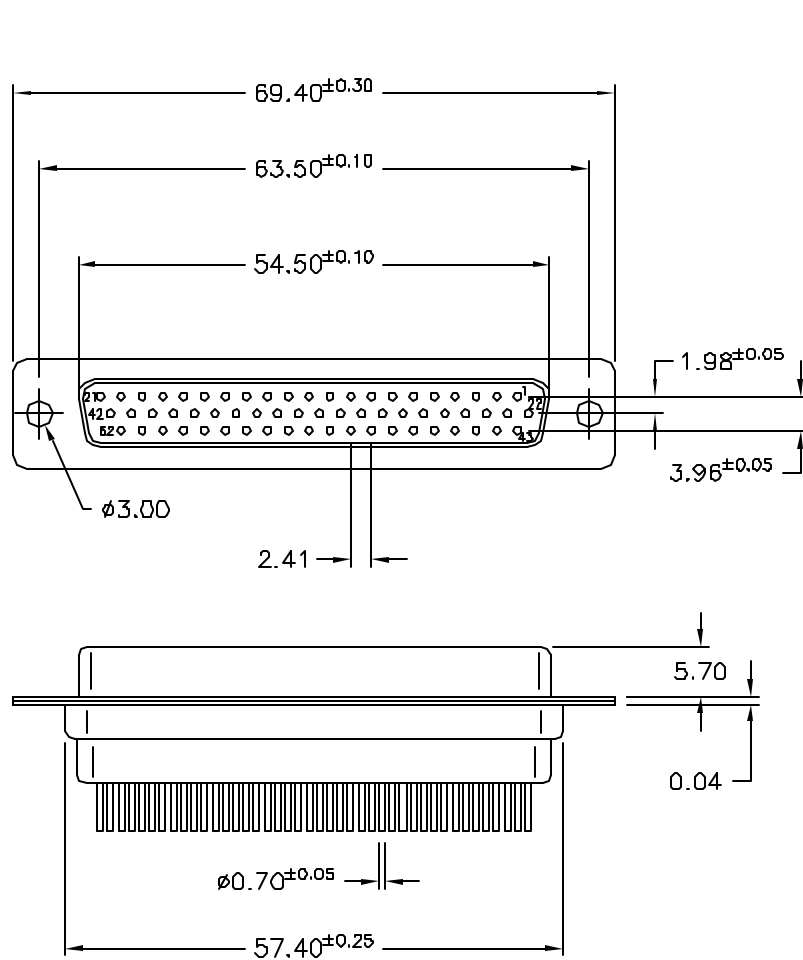


REVISIONS

| DCP # | REV | DESCRIPTION | DRAWN | DATE    | CHECKD | DATE     | APPRVD | DATE     |
|-------|-----|-------------|-------|---------|--------|----------|--------|----------|
| 1876  | A   | Released    | JWM   | 7/31/07 | JN     | 08/22/08 | JN     | 08/22/08 |



Specification:

1. Shell: Steel, Tin Plated
2. Insulator: PBT +30% Fiber-Glass, Black UL-94-V0 Rated
3. Contact: Brass, Stamped-Pin, Gold-Plated
4. Current Rating: 5 AMPS
5. Contact Resistance: 15 mΩ Max
6. Insulation Resistance: 1000 MΩ Min
7. Voltage: 500V AC for 1 Minute
8. Temperature: -50°C to +100°C

DISCLAIMER:  
ALL STATEMENTS AND TECHNICAL INFORMATION CONTAINED HEREIN ARE BASED UPON INFORMATION AND/OR TESTS WE BELIEVE TO BE ACCURATE AND RELIABLE. SINCE CONDITIONS OF USE ARE BEYOND OUR CONTROL, THE USER SHALL DETERMINE THE SUITABILITY OF THE PRODUCT FOR THE INTENDED USE AND ASSUME ALL RISK AND LIABILITY WHATSOEVER IN CONNECTION THEREWITH.

TOLERANCES:  
UNLESS OTHERWISE SPECIFIED, DIMENSIONS ARE FOR REFERENCE PURPOSES ONLY.

|               |          |
|---------------|----------|
| DRAWN BY:     | DATE:    |
| Jeff McVicker | 7/31/07  |
| CHECKED BY:   | DATE:    |
| Jason Nash    | 09/22/08 |
| APPROVED BY:  | DATE:    |
| Jason Nash    | 09/22/08 |

|  |                     |                 |     |
|--|---------------------|-----------------|-----|
| DRAWING TITLE:<br><b>High Density, D-Sub, 62 Pin, Female DIP, PCB type</b> |                     |                 |     |
| SIZE   | DWG. NO.            | ELECTRONIC FILE | REV |
| A  | SPC15169            | 79K4773.dwg     | A   |
| SCALE: NTS   | U.O.M.: INCHES [mm] | SHEET: 1 OF 1   |     |