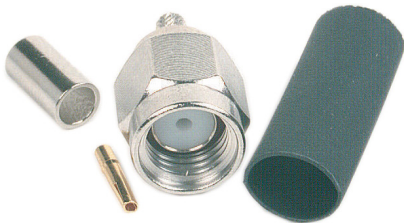


SMA Reverse Polarity Crimp Plug

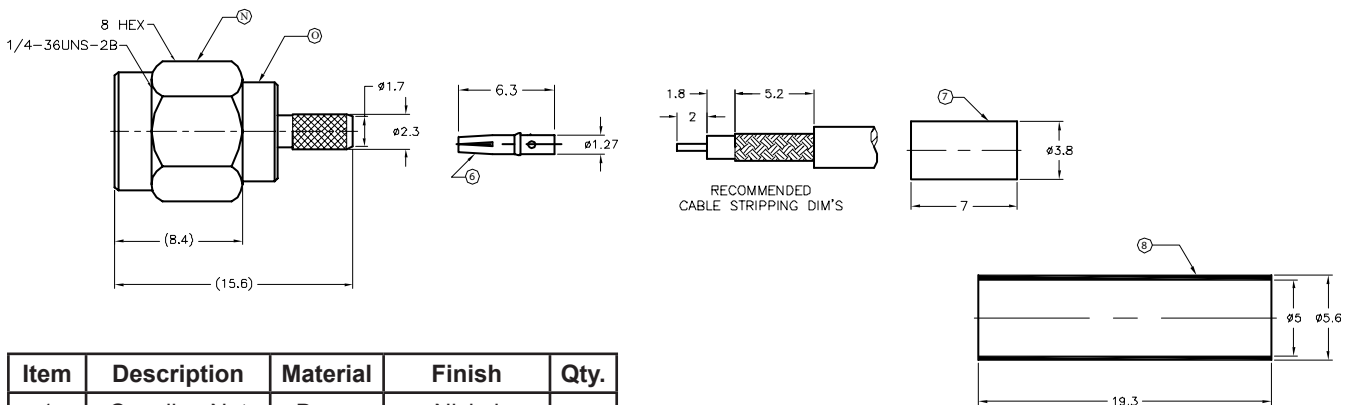
**RoHS
Compliant**



Specifications

Connector Type	: SMA Coaxial
Connector Body Style	: Straight Plug
Coaxial Termination	: Crimp
Impedance	: 50Ω
Frequency Range	: 0 - 12.4 GHz
Working Voltage	: 500Vrms Max. @ Sea Level
Insulation Resistance	: 5000MΩ Min.
Temperature Range	: -65°C to +165°C
Coaxial Cable Types	: RG174

Diagram



Item	Description	Material	Finish	Qty.
1	Coupling Nut	Brass	Nickel	1
2	Body	Brass	Gold 3μ	
3	Insulator	PTFE	-	
4	Retainer Ring	Be. Cu.	Nickel	
5	Gasket	Silicone	Red	
6	Contact Pin	Be. Cu.	Gold 50μ	
7	Ferrule	Copper	Gold 3μ	
8	Shrink Tube	-	Black	

Part Number Table

Description	Part Number
SMA Reverse Polarity Crimp Plug	SPC10048

Dimensions : Millimetres

Important Notice : This data sheet and its contents (the "Information") belong to the members of the AVNET group of companies (the "Group") or are licensed to it. No licence is granted for the use of it other than for information purposes in connection with the products to which it relates. No licence of any intellectual property rights is granted. The Information is subject to change without notice and replaces all data sheets previously supplied. The Information supplied is believed to be accurate but the Group assumes no responsibility for its accuracy or completeness, any error in or omission from it or for any use made of it. Users of this data sheet should check for themselves the Information and the suitability of the products for their purpose and not make any assumptions based on information included or omitted. Liability for loss or damage resulting from any reliance on the Information or use of it (including liability resulting from negligence or where the Group was aware of the possibility of such loss or damage arising) is excluded. This will not operate to limit or restrict the Group's liability for death or personal injury resulting from its negligence. Multicomp Pro is the registered trademark of Premier Farnell Limited 2019.

Newark.com/multicomp-pro
Farnell.com/multicomp-pro
Element14.com/multicomp-pro