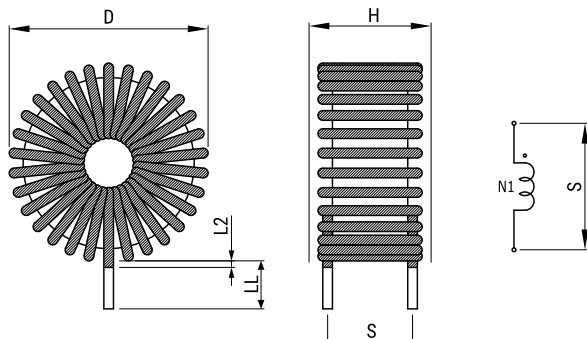


KEMET Part Number: SN14-400
(UALSN144000000)

KEMET, SN, AC Line Filters, Normal Mode, 0.12 mH



Dimensions

D	35mm MAX
H	20mm MAX
LL	20mm +/-2mm
S	15mm NOM
L2	1.5mm MAX
Wire Size	1.2mm

Packaging Specifications

Packaging:	Bulk
Component Weight:	48.4 g

General Information

Series:	SN
Style:	Through-Hole
Features:	Compact Size
RoHS:	Yes
Miscellaneous:	Temperature Rise Maximum: 40 K
Core:	Fe

Specifications

Inductance:	120 uH (0.1 MHz)
Current:	5 A
Temperature Range:	-25/+105°C
DC Resistance:	0.045 mOhms